



PEANUT COMBINE

PARTS BOOK

PB-33

KELLEY MANUFACTURING CO.

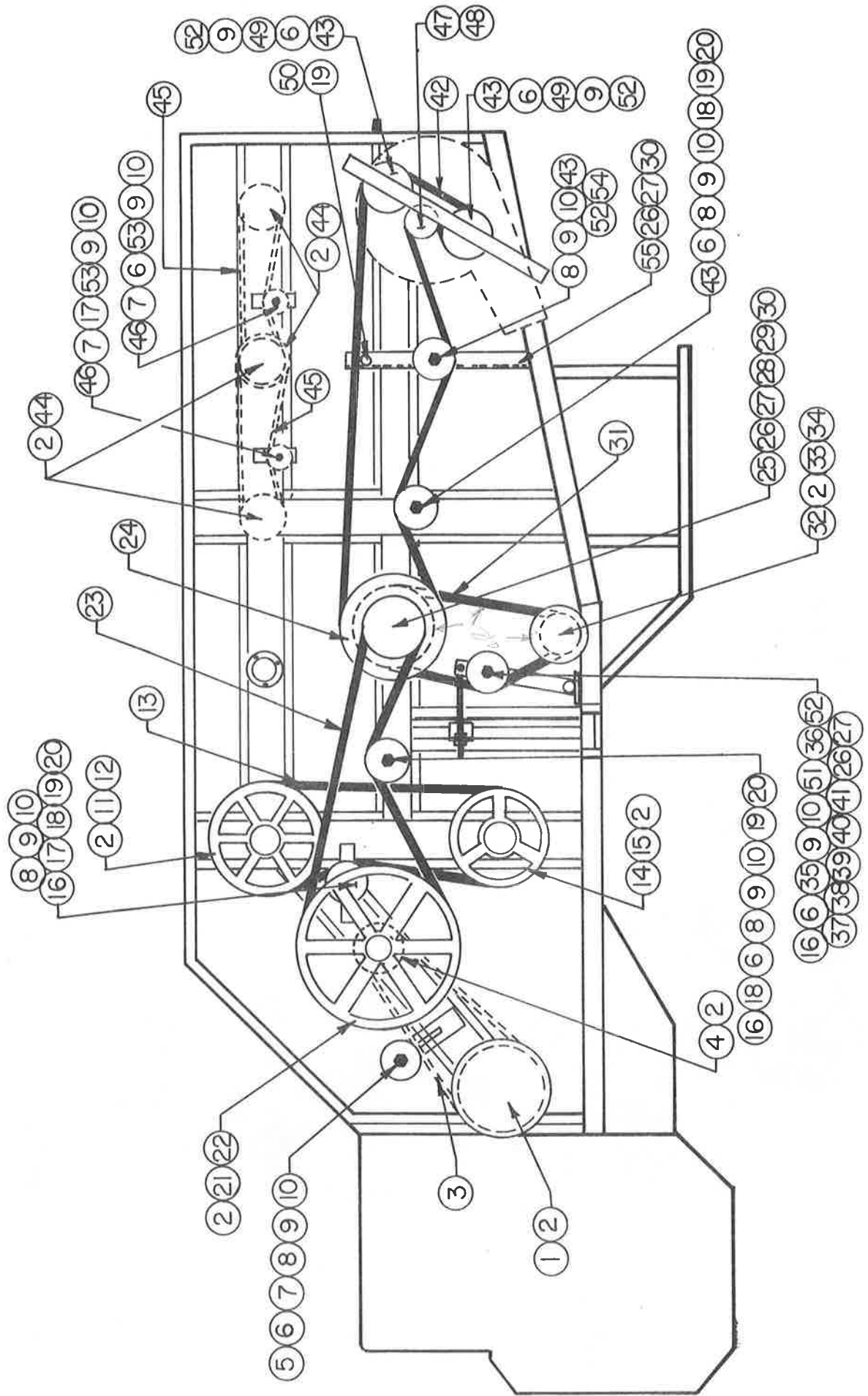
South Industrial Park
P.O. Drawer 1467
Tifton, Georgia 31793
Tel: 912-382-9393

TABLE OF CONTENTS

Left Side Drives	2-3
Right Side Drives	4-5
Cylinder Shafts & Bearing	6
Frame Assembly	7
Cylinder Group	8-9
Header Drive Assembly	10-11
Tank Group	12
Tongue and Gear Box Support	13
Header Pickup and Feeder Roll	14-15
Tongue Assembly	16
Hydraulic Group	17
Rear Shield Group	18-19
Platform and Ladder	20
Rear Hood Assembly	21
Main Fan Assembly	22-23
Dirt Shroud Assembly	23
Conveyor Group	24-25
Pan and Eccentric Support Assembly	26-27
Stemmer Top and Bottom	28-29
Screen and Tailboard	30
Axle Assembly	31
Gear Box (540 and 1000 RPM)	32
Pedestal Shaft (540 and 1000 RPM)	33
Constant Velocity Driveline	34
2½ x 30 Stroke Cylinder	35
'85 - 3 x 8 x 1-1/4 Hydraulic Cylinder (Black)	36



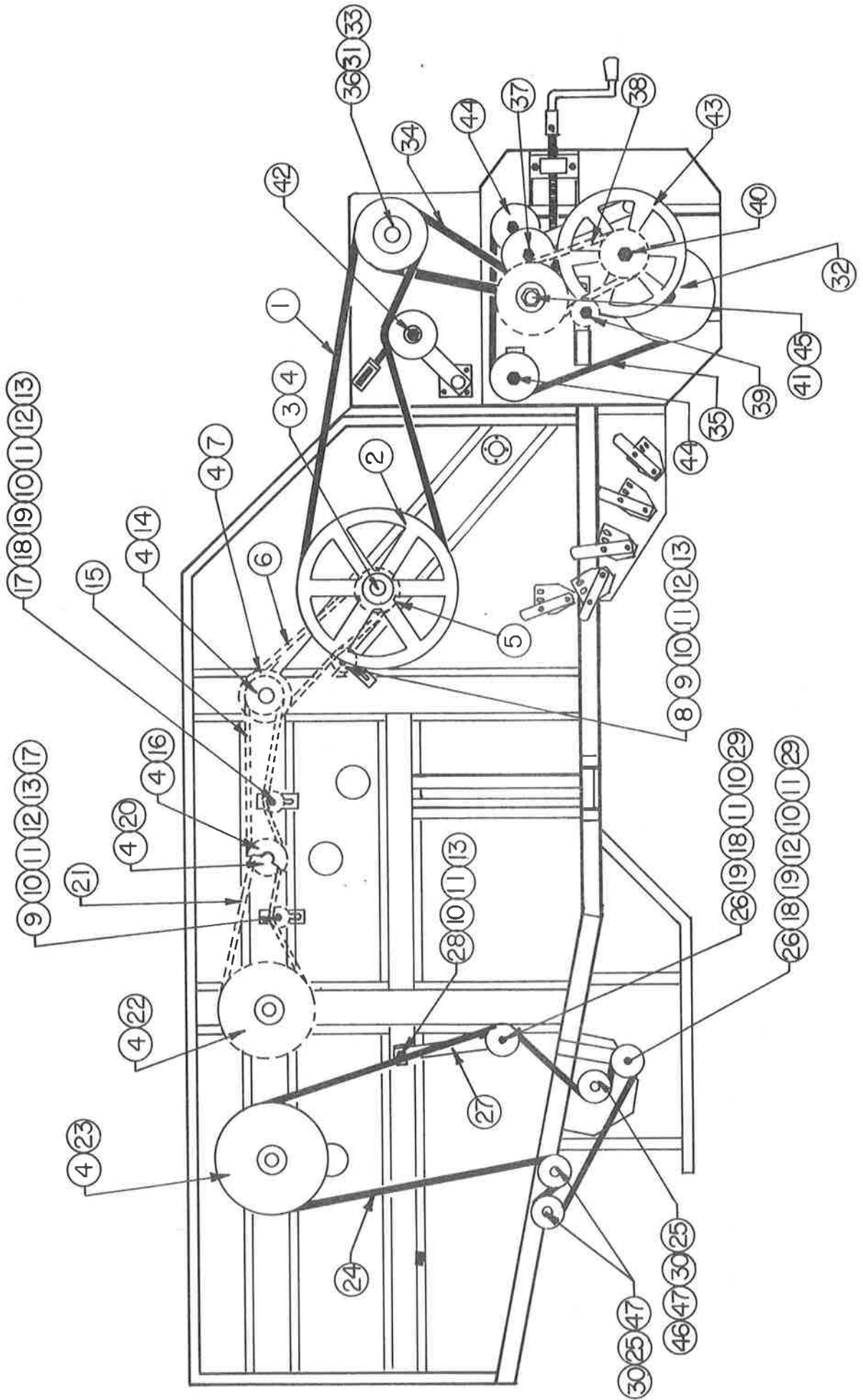
LEFT SIDE DRIVES



LEFT SIDE DRIVES

ITEM	PART NO.	SERIAL NO. OR YR.	DESCRIPTION	QTY.
1	33-052-013		60B64T Sprocket 1-3/4	1
2	27-026-015		Key, 3/8 x 1-1/4	10
3	33-052-004		RC60-120P Chain	1
4	33-052-014		60B25T Sprocket 1-3/4B	1
5	33-052-019		60-27T Sprocket Idler	1
6	33-024-048		Spacer Idler, 3/4	4
7	33-023-098		Block, Idler	3
8	48-091000		Capscrew, 5/8 x 3 Grd. 5 Plt'd	5
9	66-010300		Lockwasher, 5/8	8
10	62-010250		Flatwasher, 5/8	17
11	33-053-031		Sheave (1C-16.0 - T.L.)	1
12	33-053-033		Bushing (SF-QD, 1-3/4B)	1
13	33-052-025		V-Belt (C-108.9)	1
14	33-053-042		Sheave (1C-10.5 T.L.)	1
15	33-053-034		Bushing (SF-QD, 1-7/16B)	1
16	03-053-023		Idler Sheave, FC 5.5	3
17	33-024-057		Spacer, Idler 1-1/8	1
18	33-080-085		Drawbolt, Idler	3
19	68-010250		Hex Nut, 1/2	5
20	70-010100		Jam Nut, 1/2	3
21	33-053-007		Sheave (1C-24.4 T.L.)	1
22	33-053-028		Taper Bushing Q1 - 1-3/4	1
23	33-053-023		V-Belt, (C-146.9)	1
24	33-081-027		Jackshaft Sheaves w/Brg.	1
25	33-080-064		Jackshaft Weldment	1
26	66-010150		Lockwasher, 3/8	9
27	68-010150		Hex Nut, 3/8	8
28	48-090100		Capscrew, 3/8 x 1 Grd. 5 Plt'd	1
29	62-010150		Flatwasher, 7/16 Reg.	1
30	48-090150		Capscrew, 3/8 x 1-1/4 Grd. 5 Plt'd	6
31	33-053-021		V-Belt, (B-61.8)	1
32	33-053-036		Seperator Fan Sheave	1
33	54-010170		Setscrew, 3/8 x 1	2
34	70-010050		Jam Nut, 3/8	2
35	48-090950		Capscrew, 5/8 x 2 Grd. 2 Plt'd	1
36	33-080-067		Idler Arm, Seperator Fan	1
37	76-010100		Cotter Pin, 3/16 x 1-1/2	2
38	62-010370		Flatwasher, 1	1
39	33-080-068		Idler Support	1
40	48-090170		Capscrew, 3/8 x 1-1/2, Grd. 5 Plt'd	2
41	33-080-178		Adjusting Rod Assembly	1
42	33-053-024		V-Belt(HBB-200.9)	1
43	33-053-016		Idler Sheave, VC - 7.3	4
44	33-052-008		60B26T Sprocket, 1-7/16B	4
45	33-052-005		RC60-86P Chain	2
46	33-052-015		60-15T Sprocket Idler	2
47	33-053-037		Air Lift Drive Sheave	1
48	33-053-038		Taper Bushing, H-1	1
49	48-090985		Capscrew, 5/8 x 2-3/4 Lg. Grd. 5 Plt'd	2
50	33-026-097		Stud Idler	1
51	68-010350		Hex Nut, 3/4	2
52	68-010300		Hex Nut, 5/8	2
53	48-090900		Capscrew, 5/8 x 2-1/2	2
54	66-010250		Lockwasher, 1/2	1
55	33-027-381		Idler Brkt. Air Lift Fan	1

RIGHT SIDE DRIVES



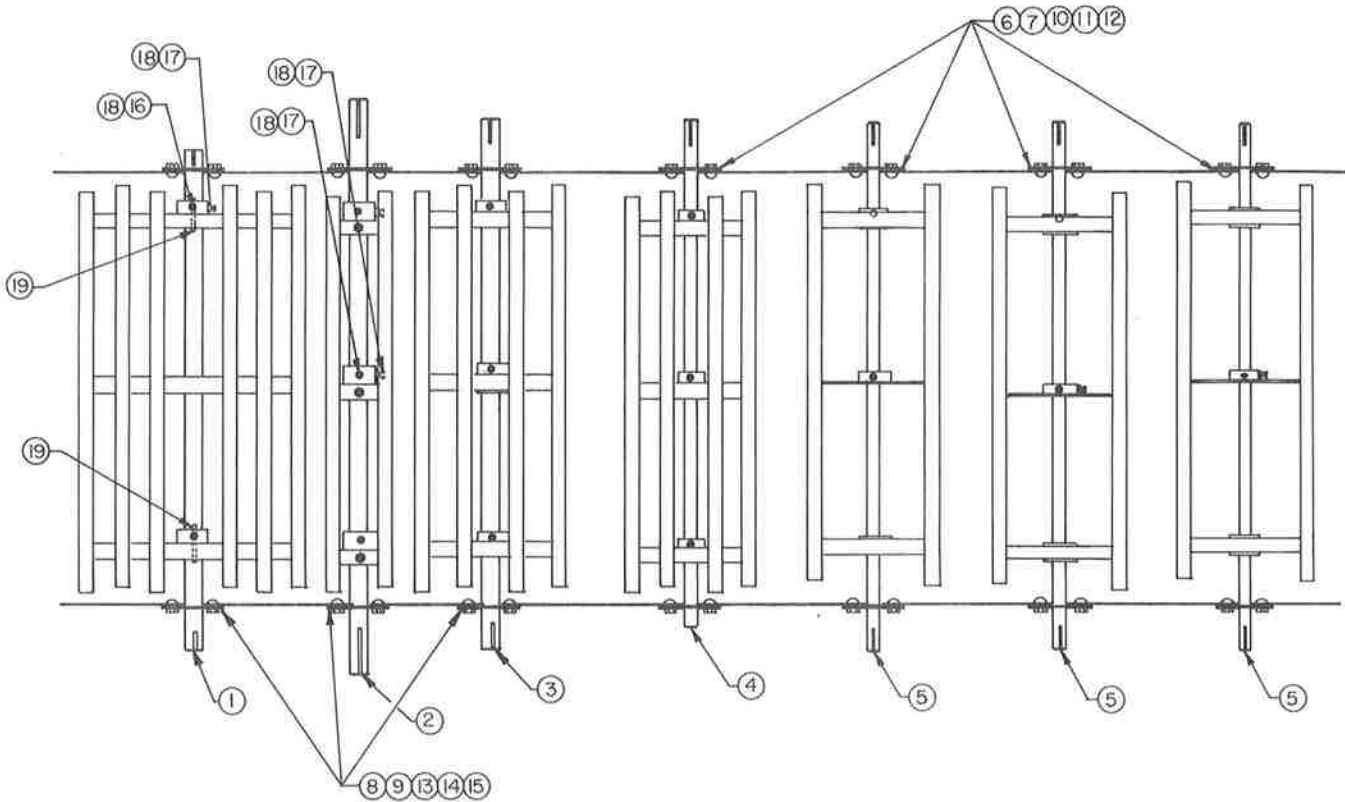
RIGHT SIDE DRIVES

ITEM	PART NO.	SERIAL NO. OR YR.	DESCRIPTION	QTY.
1	33-053-026		Powerband, 3C-160.9	1
2	33-053-005		Sheave, (3C 240-RI)	1
3	33-053-029		Taper Bushing	1
4	27-026-015		Key, 3/8 x 1-5/8	8
5	33-052-012		80B20T Sprocket	1
6	33-052-003		RC80-68P Chain	1
7	33-052-010		80B33T Sprocket 1-3/4B	1
8	33-052-021		80-20T Sprocket Idler	1
9	48-091000		Capscrew, 5/8 x 3 Grd. 5 Plt'd	2
10	66-010300		Lockwasher, 5/8	6
11	62-010250		Flatwasher, 5/8	10
12	33-024-048		Spacer, Idler 3/4	2
13	33-023-098		Block Idler	4
14	33-052-011		60B27T Sprocket, 1-3/4B	1
15	33-052-002		RC60-90P Chain	1
16	33-052-008		60B26T Sprocket 1-7/16B	1
17	33-052-015		60-15T Sprocket, Idler	2
18	48-091050		Capscrew, 5/8 x 3-1/2 Grd. 5 Plt'd	3
19	33-024-057		Spacer Idler, 1-1/8	2
20	33-052-007		60B20T Sprocket, 1-7/16B	1
21	33-052-001		RC60-98P Chain	1
22	33-052-006		60B54T Sprocket, 1-7/16B	1
23	33-053-006		Sheave (1B 16.0 - F-1.43 PS)	1
24	33-053-030		V-Belt (HBB-182.9)	1
25	33-053-003		Sheave (1B 5.5 - F-1.0 PS)	3
26	33-053-002		Belt Idler (1B 4.0 -V-.625PS)	2
27	33-023-100		Idler Arm, Auger	1
28	48-090930		Capscrew, 5/8 x 1-1/2 Grd. 5 Plt'd	1
29	68-010300		Hex Nut, 5/8	2
30	54-010170		Setscrew, 3/8 x 1	8
46	03-026-138		Key, 1/4 x 1-1/4	1
47	70-010050		Jam Nut, 3/8	8

HEADER DRIVES

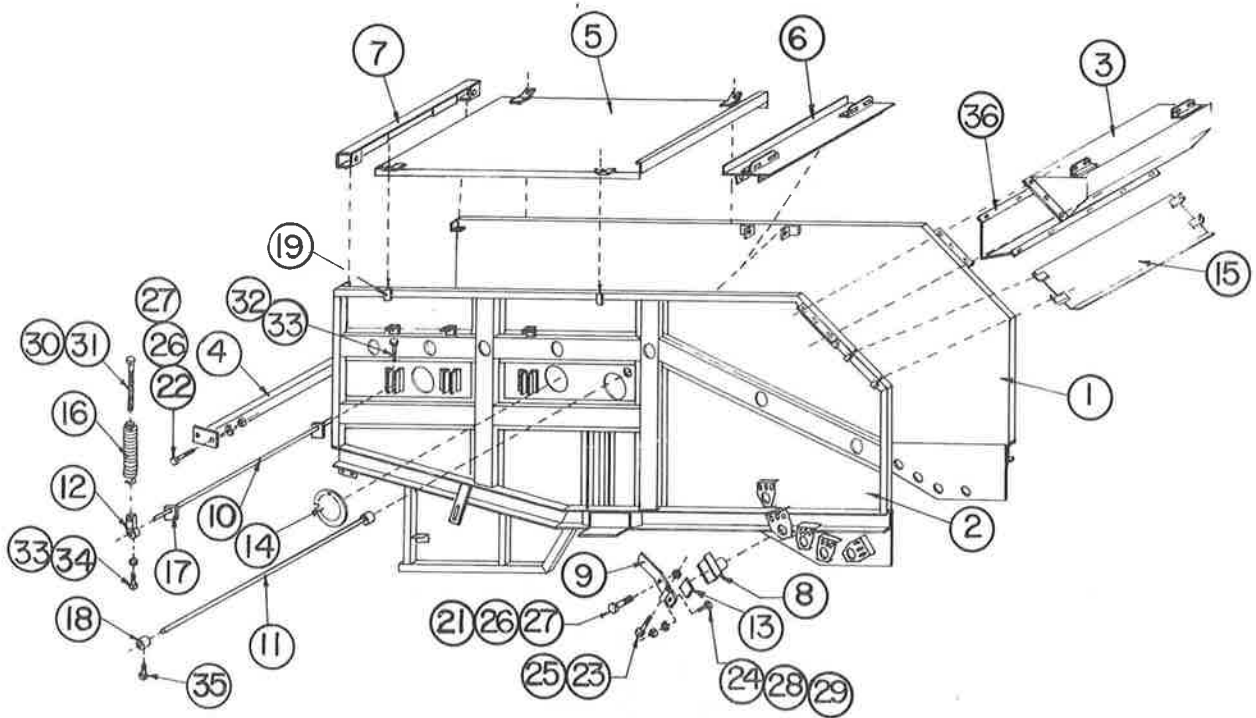
ITEM	PART NO.	SERIAL NO. OR YR.	DESCRIPTION	QTY.
31	33-053-004		Main Drive Sheave, 10.4"	1
32	33-053-015		Pickup Sheave	1
33	33-053-017		Variable Pitch Sheave	1
34	33-053-019		V.S. Drive Belt	1
35	33-053-022		V-Belt C-114.9	1
36	33-053-027		Taper Bushing RI-1-1/2	1
37	33-053-040		Idler - V.S.	1
38	33-052-018		RC-50 76P Chain	1
39	33-052-022		5/8" Idler Sprocket - Header	1
40	33-080-190		Sprocket and Hub Assembly	1
41	33-053-030		Sheave (1C 6.35 F-1.25PS)	1
42	03-053-039		Idler Sheave 3-1/4 x 6-1/2	1
43	33-053-041		Companion Sheave - 16"	1
44	33-053-016		Idler Sheave - 7.3"	2
45	33-050-010		Ratchet Slip Clutch	1

CYLINDER SHAFTS AND BEARING



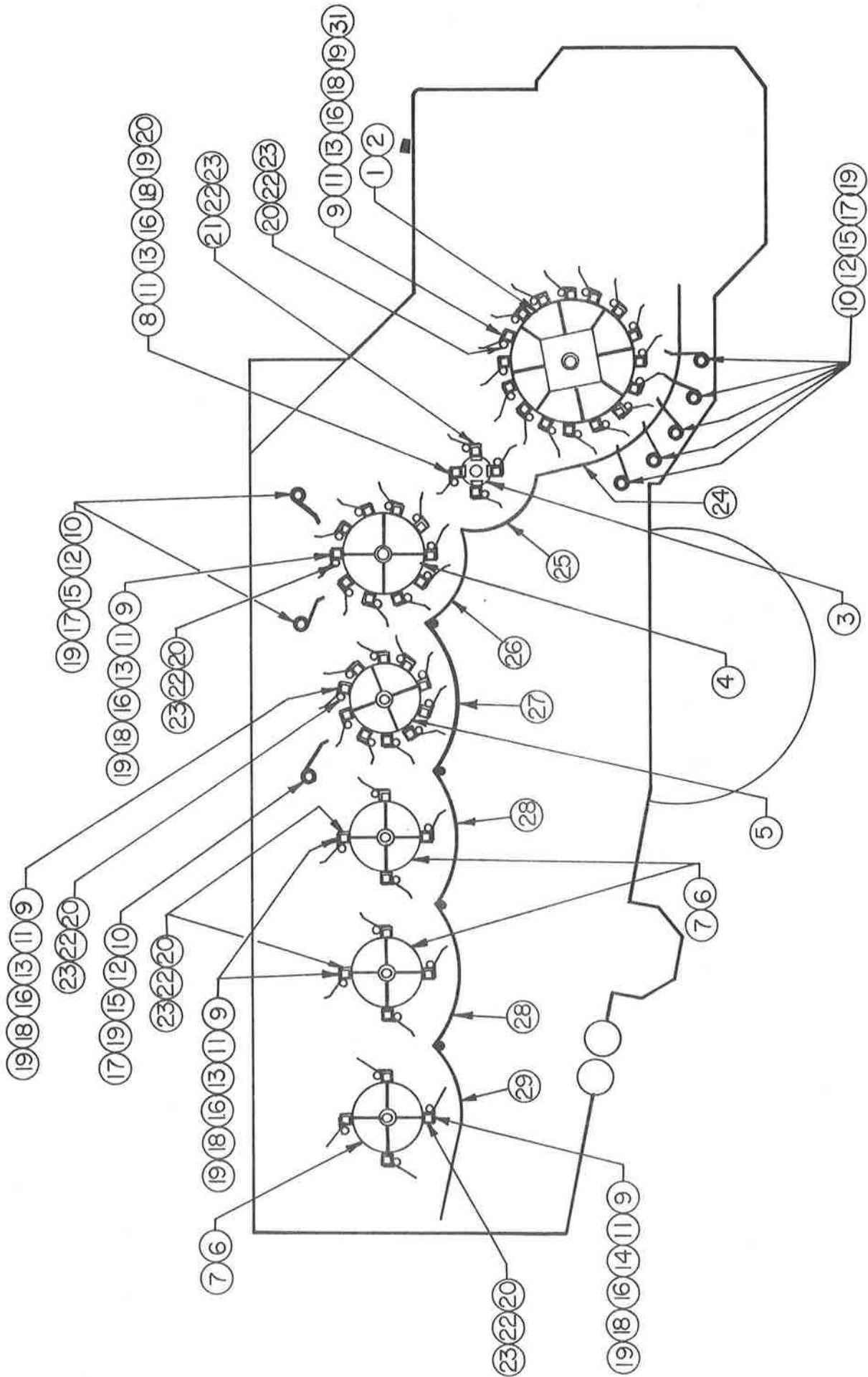
ITEM	PART NO.	SERIAL NO. OR YR.	DESCRIPTION	QTY.
1	33-026-016		Shaft - #1 Cylinder	1
2	33-026-017		Shaft - #2 Cylinder	1
3	33-026-018		Shaft - #3 Cylinder	1
4	33-026-048		Shaft - #4 Cylinder	1
5	33-026-019		Shaft - #5, #6, & #7 Cylinder	3
6	33-051-001		1-7/16 Bore Bearing (Cylinders 4, 5, 6, & 7)	8
7	03-051-024		#72 MSTR 3-H Flange (Cylinders 4, 5, 6, & 7)	16
8	33-051-002		1-3/4 Bore Bearing (Cylinders 1, 2, & 3)	6
9	02-051-038		G-85 MSB 4-H Flange (Cylinders 1, 2, & 3)	12
10	52-050035		Carriage Screw, 3/8 x 1 Grd. 5 Plt'd	24
11	66-010150		Lockwasher, 3/8	24
12	68-010150		Hex Nut, 3/8	24
13	52-050125		Carriage Screw, 1/2 x 1-1/4	24
14	66-010250		Lockwasher, 1/2	24
15	68-010250		Hex Nut, 1/2	24
16	54-010250		Setscrew, 1/2 x 1 Sq. Hd. Grd. 5 Plt'd	26
17	54-010253		Setscrew, 1/2 x 1-1/4 Sq. Hd. Grd. 5 Plt'd	14
18	70-010100		Jam Nut, 1/2	40
19	33-026-087		Key, 3/8 x 2-15/16	14

FRAME ASSEMBLY



ITEM	PART NO.	SERIAL NO. OR YR.	DESCRIPTION	QTY.
1	33-080-082		Frame Assembly Lt.	1
2	33-080-083		Frame Assembly, Rt.	1
3	33-080-170		Crossmember - Front	1
4	33-080-013		Frame Brace	1
5	33-080-106		Cover Rear	1
6	33-080-088		Crossmember - Rear	1
7	33-080-087		Brace - Rear	1
8	33-080-046		Stripper Channel	8
9	33-080-047		Stripper Handle	8
10	33-080-038		Concave Pivot Assembly - Adjustable	3
11	33-080-039		Concave Pivot Assembly	1
12	33-080-176		Lever - Spring - Lower	1
13	33-050-051		Stripper Spring - Handle	8
14	33-027-135		Inspection Cover	6
15	33-080-171		Front Cover Assembly	1
16	15-081-025		Down Pressure Spring	6
	15-057-034		Spring Plug	6
	15-050-094		Down Pressure Spring 1-1/2 x 5-3/4	6
17	33-023-186		Plate - Spring Adjustable	3
18	33-024-085		Collar Thd. Concave Pivot	1
19	33-050-045		Latch - Adjustable Draw	8
20	33-050-046		Draw Latch	8
21	48-090150		Capscrew, 3/8 x 1-1/4, Grd. 5, Plt'd	5
22	48-090100		Capscrew, 3/8 x 1, Grd. 5, Plt'd	4
23	48-090040		Capscrew, 5/16 x 2-1/4 Grd. 5, Plt'd	5
24	48-010050		Capscrew, 5/16 x 3/4 Grd. 8, Plt'd	5
25	72-010025		Locknut, 5/16	5
26	66-010150		Lockwasher, 3/8	9
27	68-010150		Hex Nut, 3/8	9
28	66-010100		Lockwasher, 5/16	5
29	68-010100		Hex Nut, 5/16	5
30	33-050-032		Down Pressure Bolt - 7/16 x 5-1/2	6
31	70-010071		Jam Nut, 7/16	6
32	54-010175		Setscrew, 3/8 x 2-1/2	6
33	70-010051		Jam Nut, 3/8	12
34	54-010170		Setscrew, 3/8 x 1	6
35			Setscrew, 1/4 x 1/2	2
36	33-027034		No. 1 Cylinder Baffle	1

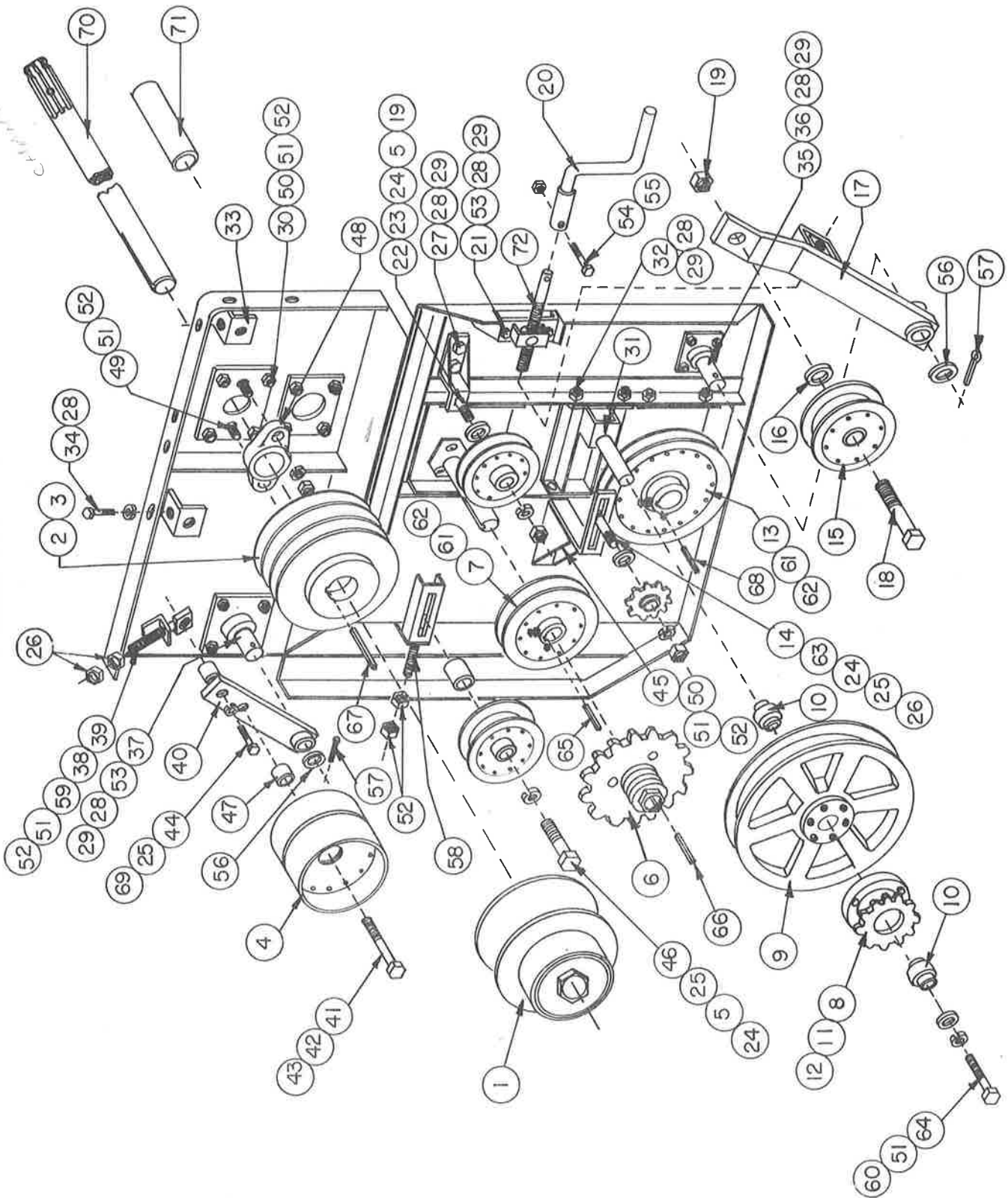
CYLINDER GROUP



CYLINDER GROUP

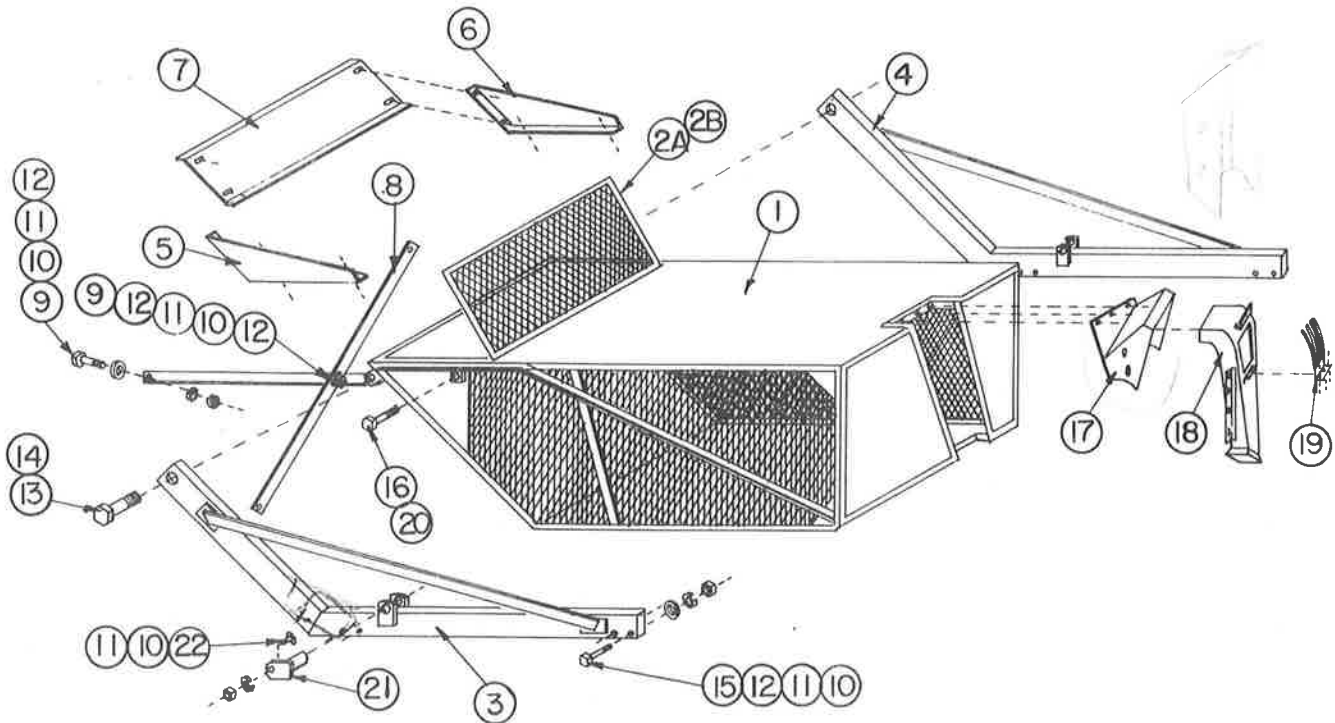
ITEM	PART NO.	SERIAL NO. OR YR.	DESCRIPTION	QTY.
1	33-080-047		#1 Cylinder End	2
2	33-080-188		End	1
3	33-057-002		#2 Cylinder End	3
4	33-080-165		#3 Cylinder End	3
5	33-080-166		#4 Cylinder End	3
6	33-080-167		#5 & #6 Cylinder End	6
7	33-080-018		Bar Support	3
8	33-080-202		Cylinder Bar#2	2
9	33-024-021		Bar	24
10	33-024-034		Bar - Stripper	8
11	33-027-249		Clip	240
12	33-027-078		Clip - Stripper	80
13	33-050-004		Spring	220
14	33-050-023		Spring	20
15	33-050-005		Spring - Stripper	80
16	48-090220		Capscrew, 3/8 x 2-1/2, Grd. 5 Plt'd	240
17	48-090210		Capscrew, 3/8 x 2-1/4, Grd. 5 Plt'd	80
18	62-010100		Flatwasher, 3/8	240
19	72-010050		Locknut, 3 /8	320
20	48-090520		Capscrew, 7/16 x 2-1/2	124
21	48-200026		Capscrew, 7/16 x 2-3/4 Grd. 8	12
22	62-010150		Flatwasher, 7/16	136
23	72-010075		Locknut, 7/16	136
24	33-080-050		Concave, #1 Cylinder	1
25	33-027-043		Concave, #2 Cylinder	1
26	33-027-044		Concave, #3 Cylinder	1
27	33-080-058		Concave, #4 Cylinder	1
28	33-080-059		Concave, #5 & #6 Cylinder	2
29	33-080-060		Concave, #7 Cylinder	1
30	33-080-210		Cylinder Bar	2
31	33-024-020		Cylinder Bar	24

HEADER DRIVE ASSEMBLY



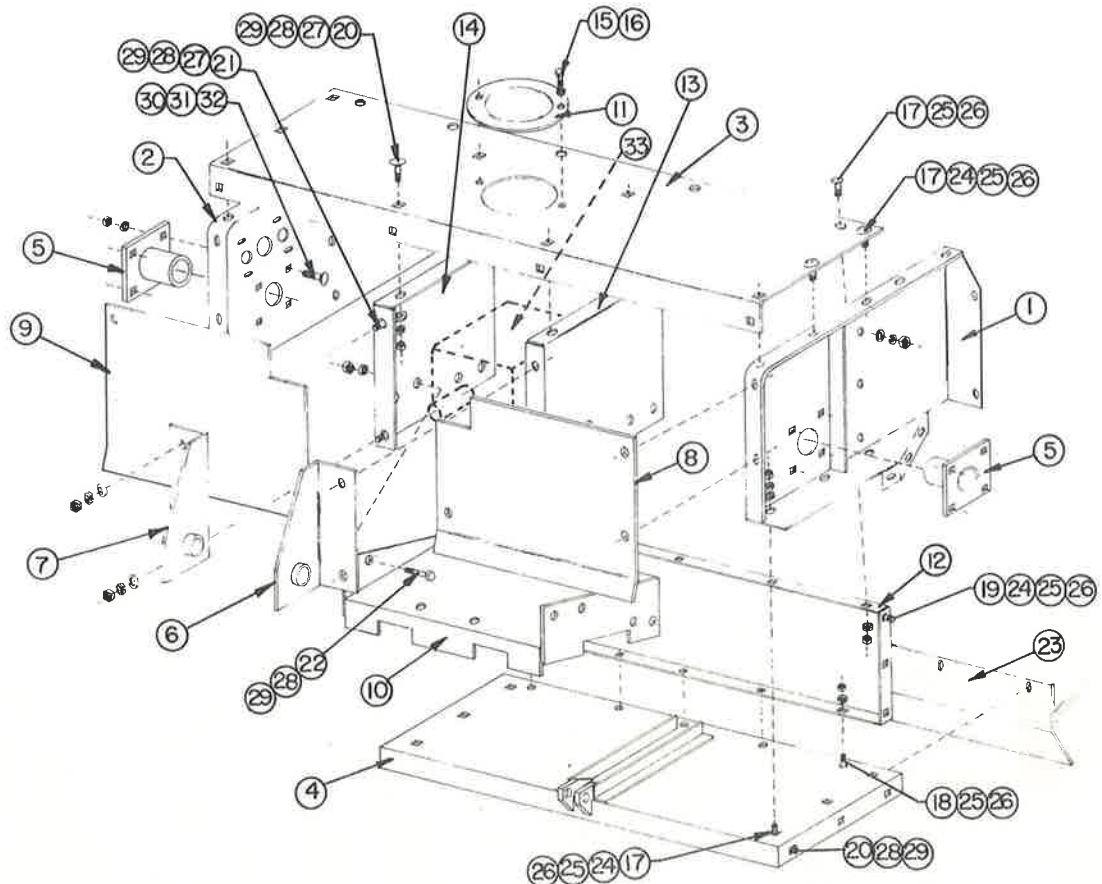
ITEM	PART NO.	SERIAL NO. OR YR.	DESCRIPTION	QTY.
1	33-053-017		Variable Pitch Sheave	1
2	33-053-004		Main Drive Sheave - 10.4"	1
3	33-053-027		Taper Bushing RI - 1-1/2"	1
4	03-053-039		Idler Pulley (3-1/4 x 6-1/2)	1
5	33-053-016		Idler Sheave - 7.3"	2
6	33-050-010		Ratchet Slip Clutch	1
7	03-053-030		Sheave (1C 6.35 FI.25 PS)	1
8	33-080-190		Sprocket & Hub Assembly	1
9	33-053-041		Companion Sheave	1
10	33-051-012		Bearing	2
11	48-090035		Capscrew, 5/16 x 2	6
12	66-010100		Lockwasher, 5/16	6
13	33-053-015		Pickup Sheave	1
14	33-052-022		5/8" Idler Sprocket - Header	1
15	33-053-040		Idler - V.S.	1
16	62-010250		Flatwasher, 5/8	as req.
17	33-081-050		V. S. Idler Arm w/Bushing	1
	33-050-026		Bushing (Only)	1
18	48-091000		Capscrew, 5/8 x 3	1
19	72-020050		Locknut, 5/8	2
20	33-080-128		Crank - V.S.	1
21	33-080-192		Trunnion Assembly	1
22	33-080-163		Support - Idler	1
23	52-030800		Carriage Screw, 5/8 x 2	1
24	62-010250		Flatwasher, 5/8	7
25	66-010300		Lockwasher, 5/8	3
26	68-010300		Hex Nut, 5/8	3
27	52-050035		Carriage Screw, 3/8 x 1 Grd. 5 Plt'd	2
28	66-010150		Lockwasher, 3/8	14
29	68-010150		Hex Nut, 3/8	12
30	33-023-167		Plate, Brg. Mounting	1
31	33-080-189		Jackshaft Assembly	1
32	52-050035		Carriage Screw 3/8 x 1 Grd. 5 Plt'd	4
33	33-080-205		Pipe Clamp Bracket	2
34	48-090170		Capscrew, 3/8 x 1-1/2	2
35	33-080-191		Idler Pivot	1
36	48-090150		Capscrew, 3/8 x 1-1/4 Grd. 5, Plt'd	4
37	33-080-117		Idler Pivot	1
38	33-080-201		Anchor Tension Rod	1
39	33-080-200		Draw Bolt Idler	1
40	33-081-051		Idler Arm Main w/Bushing	1
	33-050-026		Bushing (Only)	1
41	48-091450		Capscrew, 3/4 x 4-1/2	1
42	66-010350		Lockwasher, 3/4	1
43	68-010350		Hex Nut, 3/4	1
44	48-090930		Capscrew, 5/8 x 1-1/2	1
45	33-080-193		Idler Bracket	1
46	48-090980		Capscrew, 5/8 x 2-1/2 Grd. 5 Plt'd	1
47	33-024-095		Spacer	1
48	33-051-011		1-1/2 Flange Brg. Unit	1
49	52-050150		Carriage Screw, 1/2 x 1-3/4 Grd. 5 Plt'd	2
50	52-050125		Carriage Screw, 1/2 x 1-1/4 Grd. 5 Plt'd	6
51	66-010250		Lockwasher, 1/2	10
52	68-010250		Hex Nut, 1/2	11
53	52-050040		Carriage Screw, 3/8 x 1-1/2	6
54	48-090020		Capscrew 1/4 x 1-1/4	1
55	72-010020		Locknut, 1/4	1
56	62-020050		Flatwasher, 1" SAE	2
57	76-010100		Cotter Pin, 3/16 x 1-1/2	2
58	33-080-085		Draw Bolt Idler	1
59	48-090592		Capscrew, 1/2 x 1-1/4 Grd. 5 Plt'd	1
60	62-010200		Flatwasher, 1/2	1
61	54-010100		Setscrew, 3/8 x 3/4 Sq. Hd. Cuppoint	4
62	72-010051		Jam Nut, 3/8	4
63	52-030850		Carriage Screw, 5/8 x 2-1/2 Grd. 2 Plt'd	1
64	48-090590		Capscrew, 1/2 x 1 Grd. 5 Plt'd	1
65	33-026-093		Key - 1/4 x 1	2
66	33-026-095		Key - 1/4 x 4	1
67	33-026-098		Key - 3/8 x 7	1
68	33-026-094		Key - 1/4 x 1-3/4	1
69	33-024-100		Drawbolt Bushing	1
70	33-026-065		Output Shaft	1
71	33-050-011		Coupler	1
72	33-026-064		Screw, Idler	1

TANK GROUP



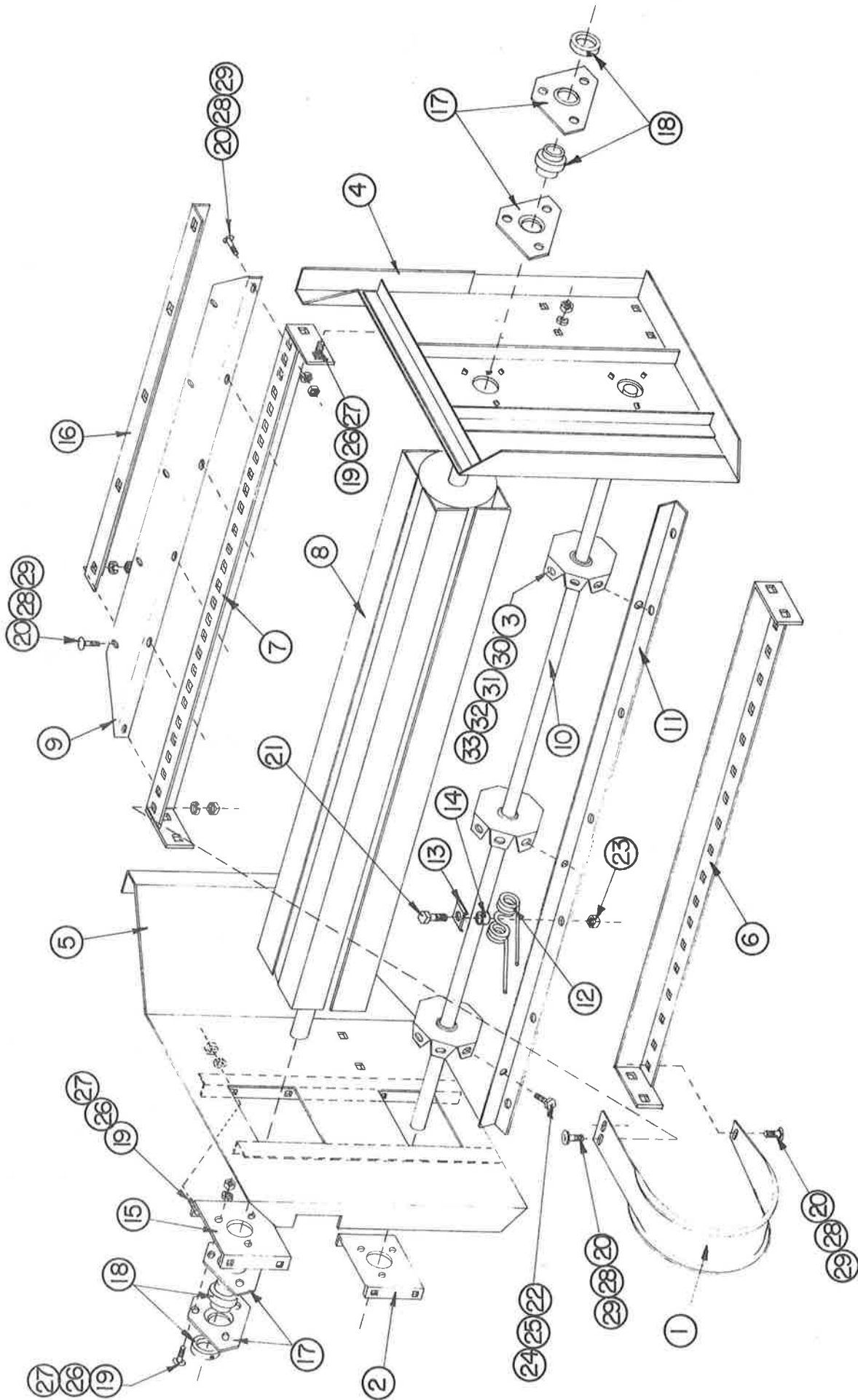
ITEM	PART NO.	SERIAL NO. OR YR.	DESCRIPTION	QTY.
1	33-080-160		Tank Weldment	1
2A	33-080-212	32343 -	Door, Tank	1
2B	33-080-158	32104 - 32126	Door, Tank	1
3	33-080-104		Frame - Tank - Front	1
4	33-080-105		Frame - Tank - Rear	1
5	33-027-173		Lip - Outer - Front	1
6	33-027-174		Lip - Outer - Rear	1
7	33-027-172		Lip - Outside	1
8	33-023-119		Cross Brace	2
9	48-090150		Capscrew, 3/8 x 1-1/4 Grd. 5 Plt'd	5
10	66-010150		Lockwasher, 3/8	15
11	68-010150		Hex Nut, 3/8	15
12	62-010100		Flatwasher, 3/8	14
13	48-200300		Capscrew, 1 x 4 Grd. 8 Plt'd	2
14	72-020125		Locknut, 1"	2
15	-		Capscrew, 3/8 x 3 Grd. 8 Plt'd	8
16	48-091000		Capscrew, 5/8 x 3 Grd. 5 Plt'd	2
17	33-080-156		Duct - Upper	1
18	33-080-155		Dirt Screen	1
19	33-080-159		Dust Cover	1
20	72-020050		Locknut, 5/8	2
21	33-080-187		Lower Cylinder Pin	2
22	52-050035		Carriage Screw, 3/8 x 1 Grd. 5	2

TONGUE AND GEAR BOX SUPPORT



ITEM	PART NO.	SERIAL NO. OR YR.	DESCRIPTION	QTY.
1	33-080-111		Support Tongue - Lt.	1
2	33-080-112		Support Tongue - Rt.	1
3	33-027-278		Support, Top Gear Box	1
4	33-080-089		Assembly, Header Tie	1
5	33-080-095		Pivot Assembly	2
6	33-080-195		Shield Support - Lt.	1
7	33-080-196		Shield Support - Rt.	1
8	33-027-308		Lt. Support - Front Gear Box	1
9	33-027-309		Rt. Support - Front Gear Box	1
10	33-080-199		Mount - Gear Box	1
11	33-027-342		Inspection Cover G. B.	1
12	33-027-198		Bulkhead	1
13	33-027-186		Support, Gear Box - Lt.	1
14	33-027-185		Support, Gear Box - Rt.	1
15	48-090034		Capscrew, 5/16 x 1/2 Grd. 5 Plt'd	2
16	66-010100		Lockwasher, 5/16	2
17	52-050035		Carriage Screw, 3/8 x 1	16
18	52-030200		Carriage Screw, 3/8 x 3/4 Grd. 2	5
19	52-050040		Carriage Screw, 3/8 x 1-1/4 Grd. 5, Plt'd	10
20	52-050125		Carriage Screw, 1/2 x 1-1/4 Grd. 5, Plt'd	10
21	52-050140		Carriage Screw, 1/2 x 1-1/2 Grd. 5, Plt'd	2
22	48-090592		Capscrew, 1/2 x 1-1/4	8
23	33-027-282		Baffle - Header	1
24	62-010100		Flatwasher, 3/8	21
25	66-010150		Lockwasher, 3/8	3
26	68-010150		Hex Nut, 3/8	31
27	62-010200		Flatwasher, 1/2	8
28	66-010250		Lockwasher, 1/2	22
29	68-010250		Hex Nut, 1/2	22
30	-		Carriage Screw, 5/8 x 1-1/4 Grd. 5 Plt'd	8
31	66-010300		Lockwasher, 5/8	8
32	68-010300		Hex Nut, 5/8	8
33	33-054-001		Gear Box, 540 & 1000	1

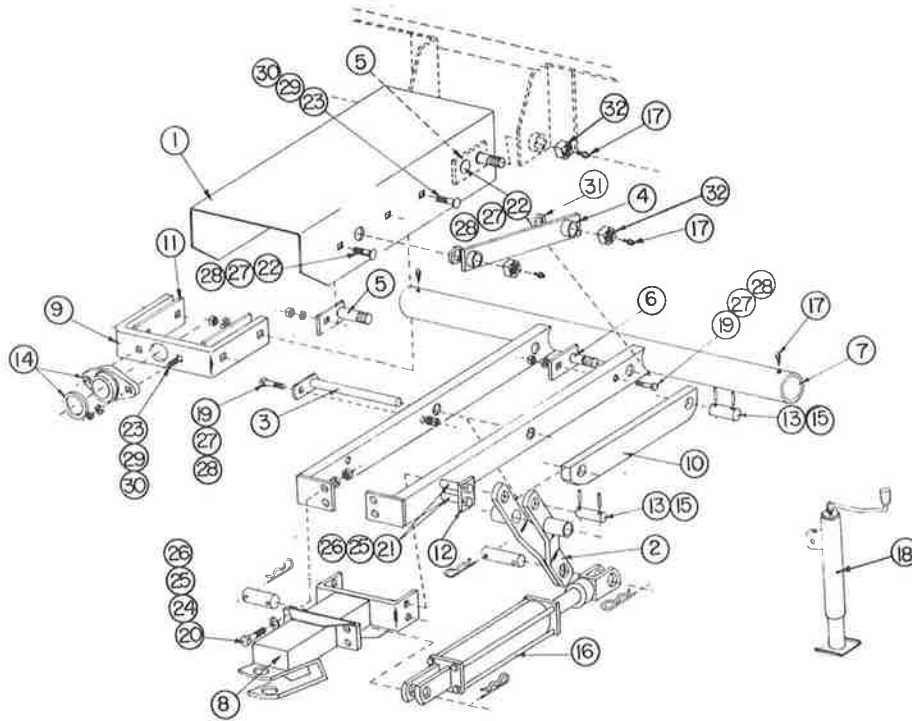
HEADER PICKUP AND FEEDER ROLL



HEADER PICKUP AND FEEDER ROLL

ITEM	PART NO.	SERIAL NO. OR YR.	DESCRIPTION	QTY.
1	33-027-129		Band Pickup	15
2	33-027-150		Support Pickup Bearing	1
3	33-080-162		Head - Pickup	3
4	33-080-109		Fender - Lt.	1
5	33-080-110		Fender - Rt.	1
6	33-080-078		Band Support - Lower	1
7	33-080-079		Band Support - Upper	1
8	33-080-076		Feeder Roll	1
9	33-027-182		Floor Header	1
10	33-026-045		Shaft Pickup	1
11	33-025-037		Angle Pickup	6
12	33-050-006		Pickup Spring	42
13	33-027-341		Clip	42
14	33-024-092		Spacer	42
15	33-027-149		Feeder Roll Bearing Support	1
16	33-027-335		Floor Support	1
17	33-051-024		#72 MSTR 3H Flange	8
18	03-051-016		1-1/4 Brg. & Collar	4
19	52-050035		Carriage Screw, 3/8 x 1 Grd. 5 Plt'd	28
20	52-030100		Carriage Screw, 5/16 x 3/4 Grd. 2	56
21	48-090036		Capscrew, 5/16 x 1	42
22	48-090590		Capscrew, 1/2 x 1 Grd. 5 Plt'd	18
23	72-010025		Locknut, 5/16	42
24	66-010250		Lockwasher, 1/2	18
25	68-010250		Hex Nut, 1/2	18
26	66-010150		Lockwasher, 3/8	28
27	68-010150		Hex Nut, 3/8	28
28	66-010100		Lockwasher, 5/16	56
29	68-010100		Hex Nut, 5/16	56
30	54-010100		Setscrew, 3/8 x 3/4	3
31	33-026-094		Key, 1/4 x 1/4 Sq.	3
32	54-010150		Setscrew 3/8 x 7/8 Sq. Hd. Cuppt.	3
33	70-010051		Jam Nut, 3/8 Plt'd	6

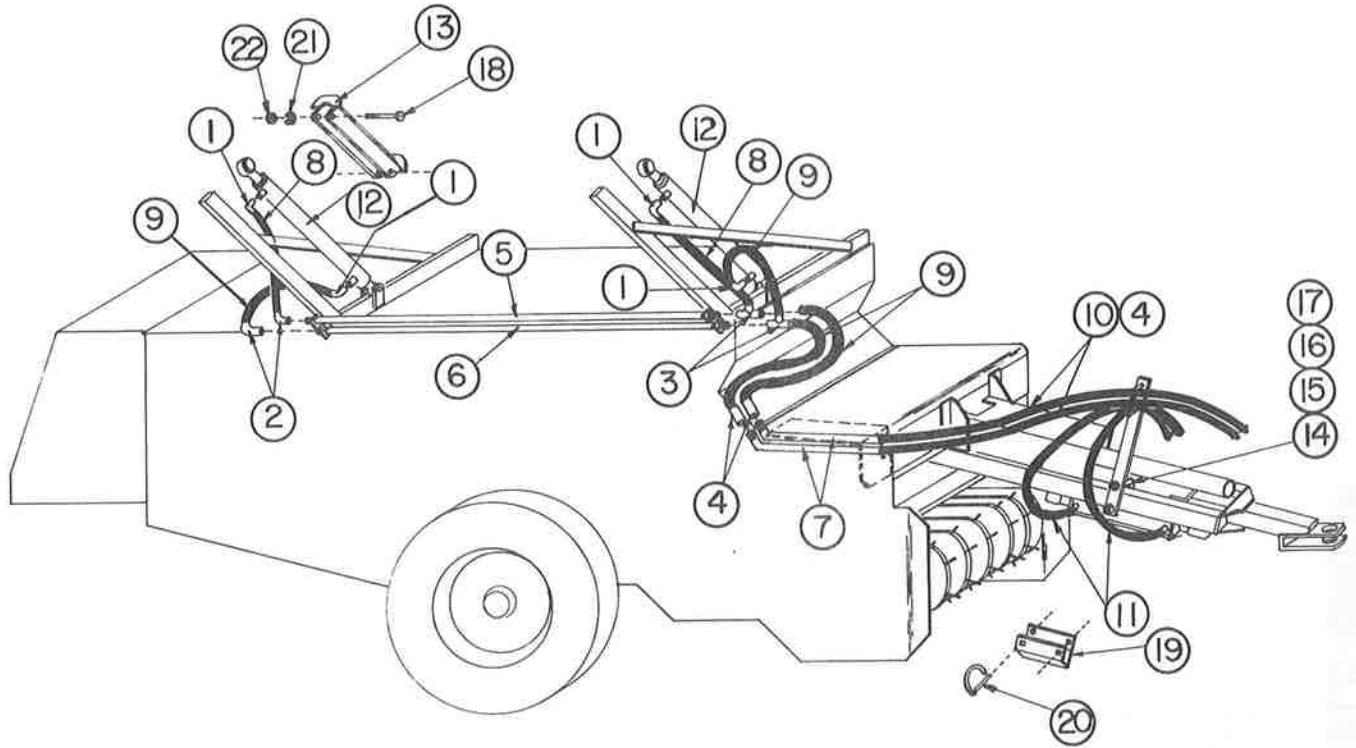
TONGUE ASSEMBLY



ITEM	PART NO.	SERIAL NO. OR YR.	DESCRIPTION	QTY.
1	33-080-118		PTO Shield	1
2	33-080-122		Header Pivot Linkage	1
3	33-080-161		Pin, Pivot	1
4	33-080-179		Pedestal Support	2
5	33-080-180		Pin, Short	4
6	33-080-181		Pin, Long	2
7	33-080-096		Tongue	1
8	33-080-164		Tongue, Hitch	1
9	33-023-138		Bearing Support	1
10	33-023-142		Bar, Tension	1
11	33-023-206		Slide Plate	2
12	33-023-212		Reinforcement Plate	2
13	33-026-061		Pin, Linkage	2
14	33-051-010		1-3/8 Flange Brg. Unit	1
15	09-050-023		Roll Pin, 3-16 x 1-1/2	4
*16	02-061-053		3 x 8 Hyd. Stroke Cylinder	1
17	31-050-020		Drive Type Fitting	8
18	18-050-014		3000# Model TM Jack Assembly	1
19	48-090240		Capscrew, 3/8 x 2-3/4, Grd. 5, Plt'd	3
20	48-090920		Capscrew, 5/8 x 1-3/4, Grd. 5, Plt'd	4
21	48-091050		Capscrew, 5/8 x 3-1/2, Grd. 5, Plt'd	4
22	52-050040		Carriage Screw, 3/8 x 1-1/4, Grd. 5, Plt'd	4
23	52-050125		Carriage Screw, 1/2 x 1-1/4, Grd. 5, Plt'd	6
24	62-010250		Flatwasher, 5/8	4
25	66-010300		Lockwasher, 5/8	8
26	68-010300		Hex Nut, 5/8	8
27	66-010150		Lockwasher, 3/8	7
28	68-010150		Hex Nut, 3/8	7
29	66-010250		Lockwasher, 1/2	6
30	68-010250		Hex Nut, 1/2	6
31	62-010300		Flatwasher, 3/4	4
32	72-010150		Locknut, 3/4	6

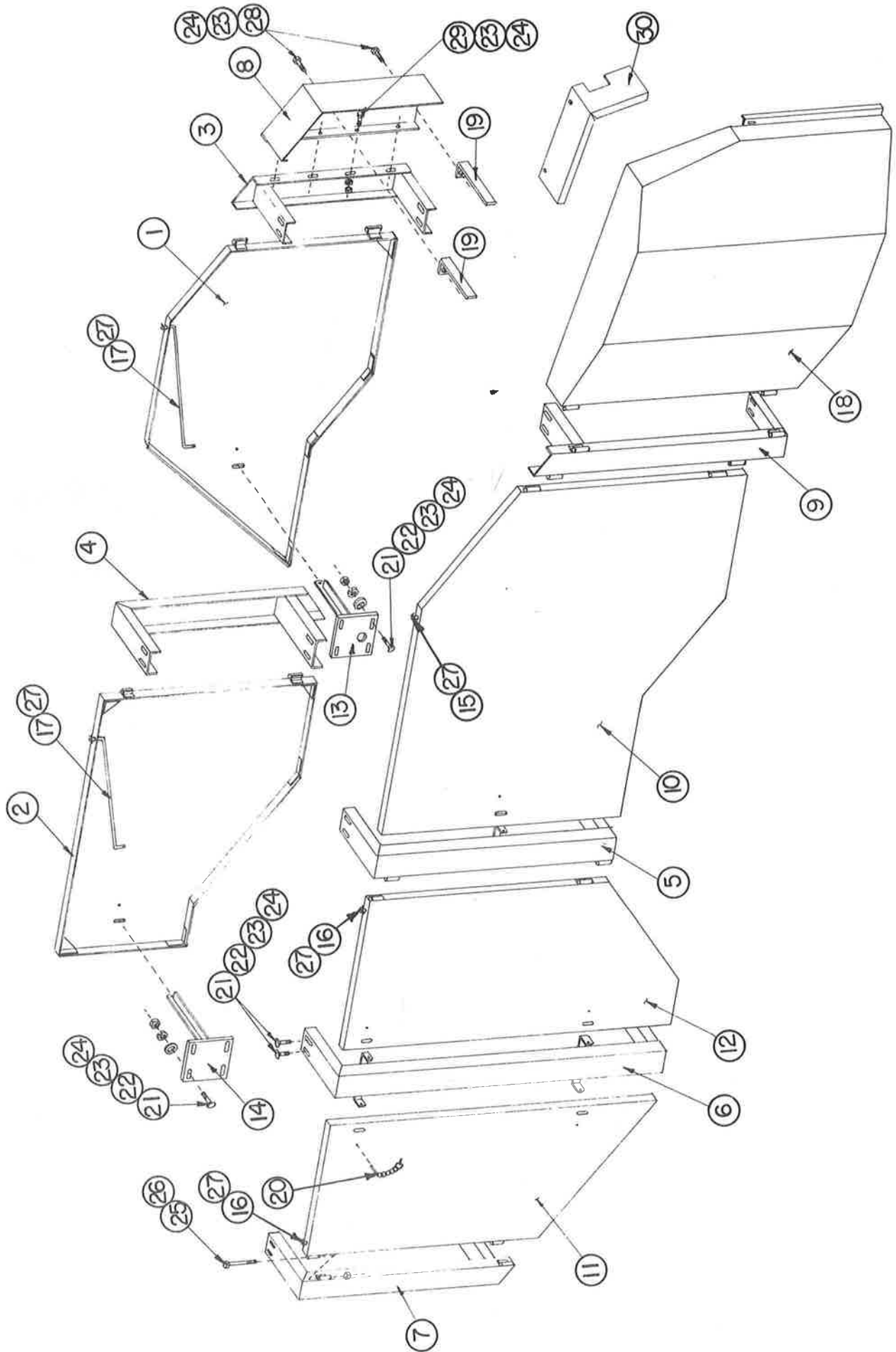
* Seal Kit — 02-061-041

HYDRAULIC GROUP



ITEM	PART NO.	SERIAL NO. OR YR.	DESCRIPTION	QTY.
1	05-050-013		1/2" Galv. Street Ell	4
2	02-050-147		1/2" Reg. Elbow	2
3	07-050-001		1/2" Galv. Tee	2
4	11-059-003		1/2" Coupler	4
5	33-024-098		Short Tank Pipe	1
6	33-024-097		Long Tank Pipe	1
7	33-024-096		Side Pipe	2
8	09-059-002		3/8 x 48" Hydraulic Hoses	2
9	11-059-001		3/8 x 24" Hydraulic Hoses	4
10	07-059-003		3/8 x 100 Hydraulic Hoses	2
11	07-059-004		3/8 x 80" Hydraulic Hoses	2
12	33-061-001		2-1/2 x 30" Stroke Cylinder	2
13	33-080-208		Tank Cylinder Lock Out Weldment	2
14	33-080-204		Hose Hanger	1
15	03-050-001		"U" - Bolt, 1/2 x 3 x 5-9/16"	1
16	66-010250		Lockwasher, 1/2	1
17	68-010250		Hex Nut, 1/2	1
18	48-090250		Capscrew, 3/8 x 3, Grd. 5, Plt'd	2
19	21-027-004		Cylinder Lock Out	1
20	21-050-012		Snapper Pins, 5/8 x 2-3/4	2
21	66-010150		Lockwasher, 3/8	2
22	68-010150		Hex Nut, 3/8	2

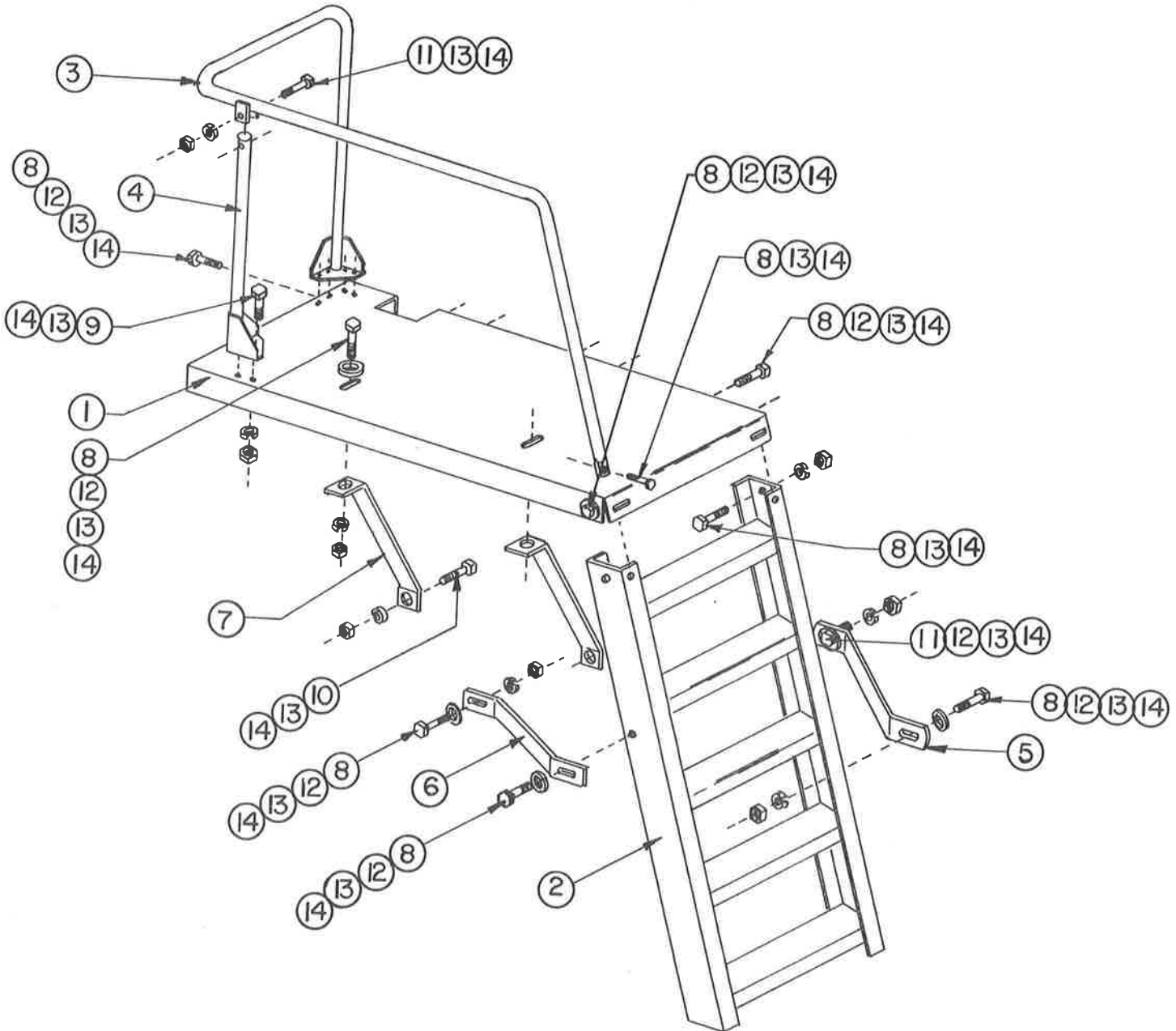
REAR SHIELD GROUP



REAR SHIELD GROUP

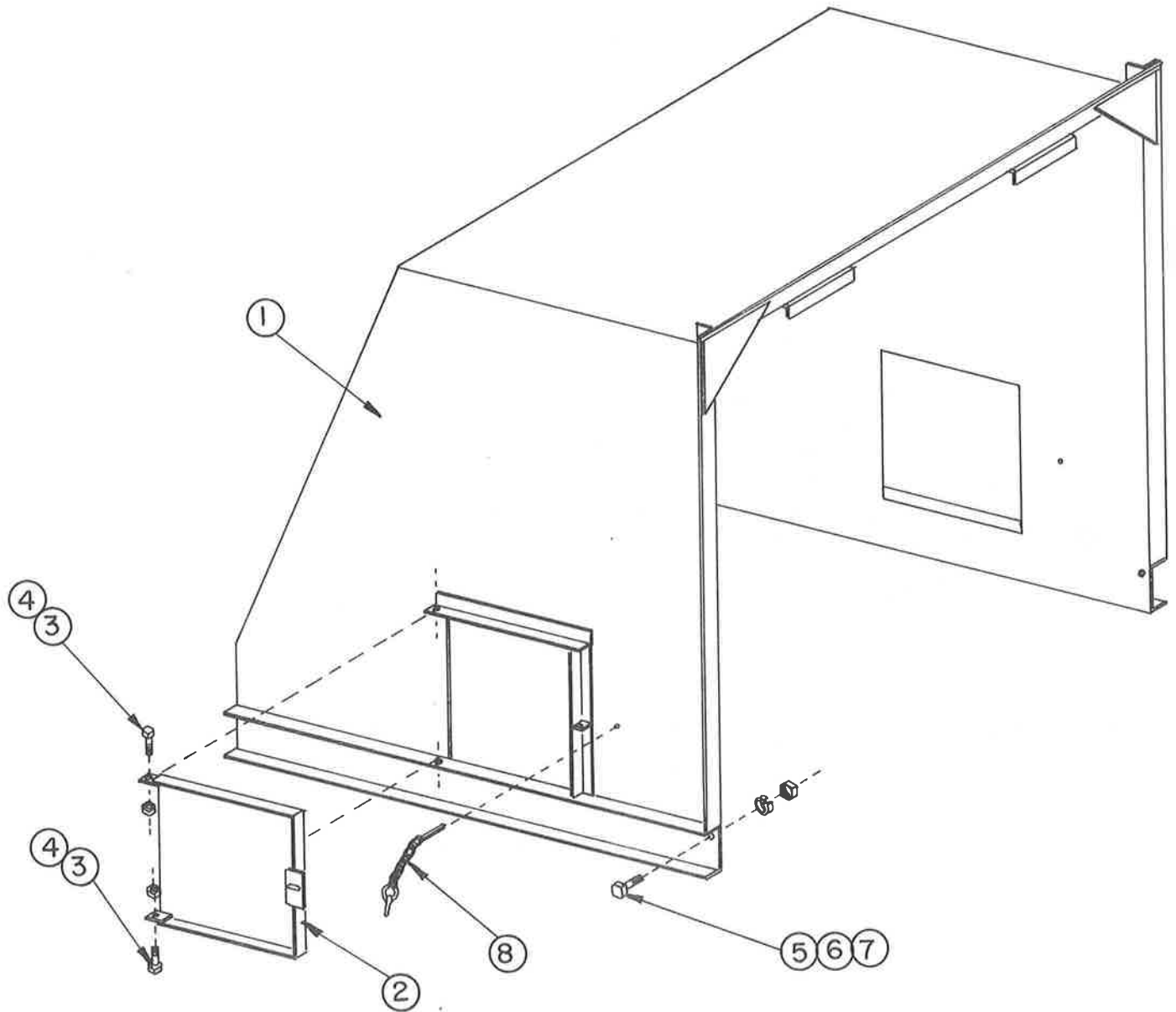
ITEM	PART NO.	SERIAL NO. OR YR.	DESCRIPTION	QTY.
1	33-080-135		Shield - Door - Front - L.H.	1
2	33-080-136		Shield Assembly Rear - L.H.	1
3	33-080-137		Support - Shield - L.H.	1
4	33-080-138		Support - Shield - L.H. Rear	1
5	33-080-131		Front Bracket - Rt.	1
6	33-080-132		Center Bracket - Rt.	1
7	33-080-133		Rear Bracket - Rt.	1
8	33-080-142		Shield Assembly - Front - L.H.	1
9	33-080-145		Rear Header Shield Bracket	1
10	33-080-146		Front Shield - Rt.	1
11	33-080-147		Rear Shield - Rt.	1
12	33-080-148		Center Shield - Rt.	1
13	33-080-197		Shield - Bracket - Front	1
14	33-080-198		Shield - Bracket - Rear	1
15	33-026-029		Rod - Shield - 34"	1
16	33-026-030		Rod - Shield - 21"	2
17	33-026-068		Rod - Shield - 24"	2
18	33-080-203		Header Shield Weldment	1
19	33-023-153		Shield Support	2
20	33-050-031		Klick Pin w/Chain and Cotter Pin	6
21	52-030150		Carriage Screw, 5/16 x 1 Grd. 2 Plt'd	32
22	62-010050		Flatwasher, 5/16	32
23	66-010100		Lockwasher, 5/16	39
24	68-010100		Hex Nut, 5/16	39
25	48-090320		Capscrew, 3/8 x 4-1/2 Grd. 5 Plt'd	12
26	72-010050		Locknut, 3/8 Grd. "B"	12
27	76-101075		Cotter Pin, 1/8 x 3/4	5
28	48-040055		Capscrew, 5/16 x 5/8 Grd. 2 Plt'd	2
29	48-040065		Capscrew, 5/16 x 1 Grd. 2 Plt'd	5
30	33-080-206		Pipe Shield	1

PLATFORM AND LADDER



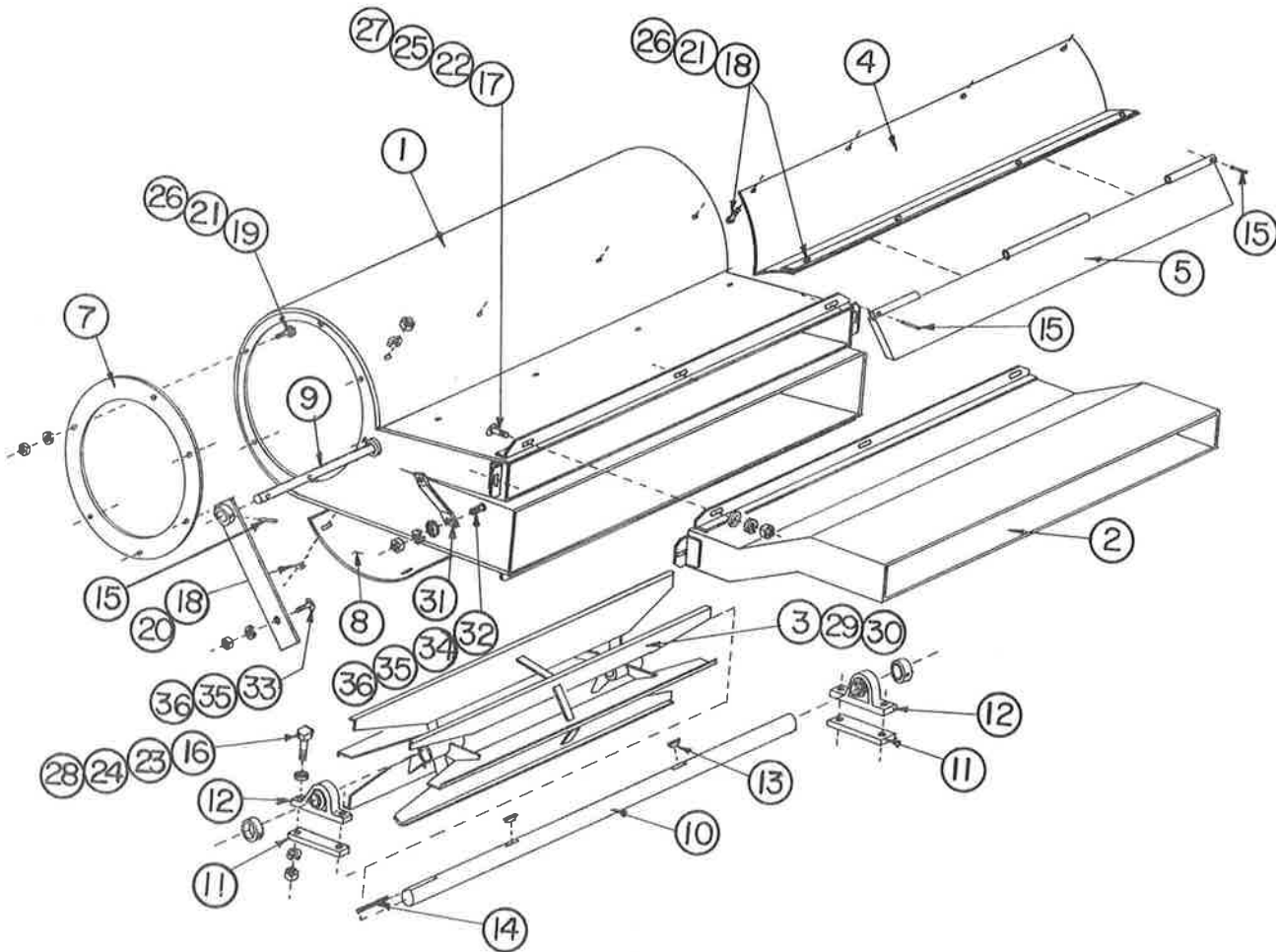
ITEM	PART NO.	SERIAL NO. OR YR.	DESCRIPTION	QTY.
1	33-027-247		Platform	1
2	33-080-153		Ladder	1
3	33-080-151		Railing Assembly	1
4	33-080-152		Railing Support Assembly	1
5	33-023-215		Lower Ladder Support	1
6	33-023-216		Mid-Ladder Support	1
7	33-023-155		Strap - Platform Mounting	1
8	48-090100		Capscrew, 3/8 x 1 Grd. 5 Plt'd	16
9	48-090090		Capscrew, 3/8 x 3/4 Grd. 5 Plt'd	8
10	48-090150		Capscrew, 3/8 x 1-1/4 Grd. 5 Plt'd	2
11	48-090170		Capscrew, 3/8 x 1-1/2 Grd. 5 Plt'd	2
12	62-010100		Flatwasher, 3/8	14
13	66-010150		Lockwasher, 3/8	28
14	68-010150		Hex Nut, 3/8	28

REAR HOOD ASSEMBLY



ITEM	PART NO.	SERIAL NO. OR YR.	DESCRIPTION	QTY.
1	33-080-102		Rear Hood Assembly	1
2	33-080-098		Door Assembly - Rear Hood	2
3	48-090036		Capscrew, 5/16 x 1 Grd. 5 Plt'd	4
4	72-010025		Locknut, 5/16 Locknut, Grd. B	4
5	48-090200		Capscrew, 3/8 x 2 Grd. 5 Plt'd	2
6	66-010150		Lockwasher, 3/8	2
7	68-010150		Hex Nut, 3/8	2
8	33-050-031		Klik Pin w/Chain & Cotter Pin	2

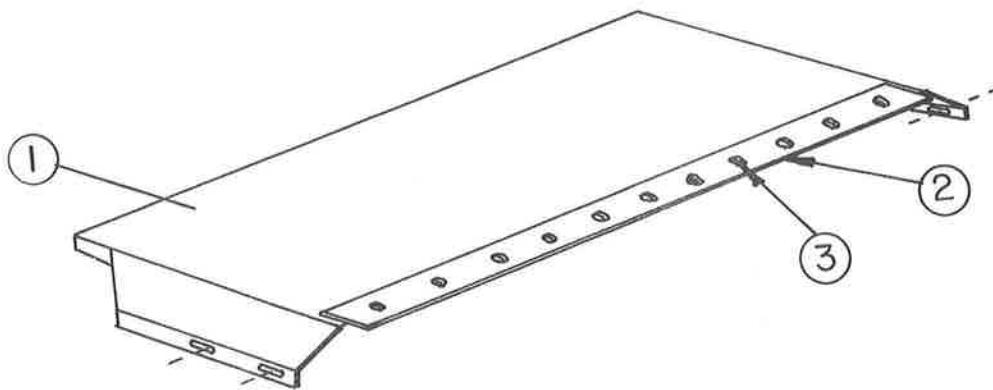
MAIN FAN ASSEMBLY



ITEM	PART NO.	SERIAL NO. OR YR.	DESCRIPTION	QTY.
1	33-080-054		Main Fan Housing	1
2	33-080-061		Auxillary Duct	1
3	33-080-049		Main Fan Assembly	1
4	33-080-052		Main Fan Cut-Off	1
5	33-080-051		Main Fan - Door Assembly	1
6	33-080-053		Lever Assembly - Fan Door	1
7	33-027-322		Fan Shroud	2
8	33-027-351		Access Cover - Main Fan	1
9	33-026-036		Pivot Shaft - Fan	1
10	33-026-010		Main Fan - Shaft	1
11	33-023-194		Spacer Bearing	2
12	33-051-007		1-11/16" Pillow Bearing Assembly	2
13	33-050-030		#1210 Woodruff Key	2
14	27-026-015		Key, 3/8 x 1-1/4	1
15	17-050-008		Spirol Pin, 1/8 x 3/4	3
16	48-090596		Capscrew, 1/2 x 1-3/4 Grd. 5 Plt'd	4
17	52-030100		Carriage Screw, 5/16 x 3/4 Grd. 2 Plt'd	5
18	58-020500		Split Round Head Machine Screw, 1/4 x 5/8	14
19	48-090005		Capscrew, 1/4 x 5/8	12
20	33-050-029		"U" - Nut, 1/4	6
21	66-010050		Lockwasher, 1/4	20
22	66-010100		Lockwasher, 5/16	5
23	66-010250		Lockwasher, 1/2	4
24	66-010200		Flatwasher, 1/2	4
25	66-010050		Flatwasher, 5/16	5

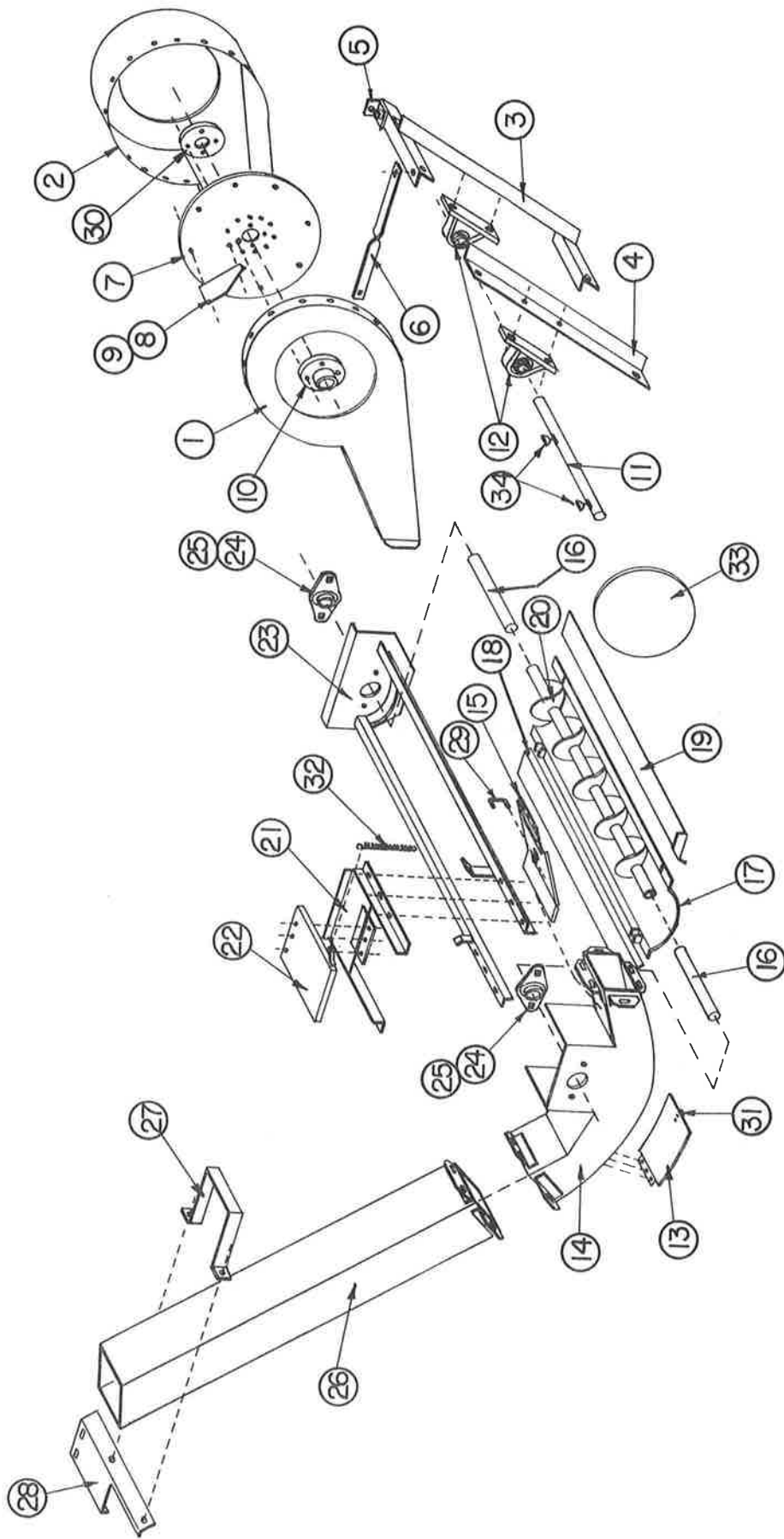
ITEM	PART NO.	SERIAL NO. OR YR.	DESCRIPTION	QTY.
26	68-010050		Hex Nut, 1/4	20
27	68-010100		Hex Nut, 5/16	5
28	68-010250		Hex Nut, 1/2	4
29	54-020160		Setscrew, 1/2 x 1-1/4, Sq. Hd. Grd. 5 Pln	4
30	70-010100		Jam Nut, 1/2	4
31	33-023-014		Main Fan Bracket	2
32	48-090150		Capscrew, 3/8 x 1-1/4	4
33	52-030200		Carriage Screw, 3/8 x 3/4 Grd. 2 Plt'd	1
34	62-010100		Flatwasher, 3/8	4
35	66-010150		Lockwasher, 3/8	5
36	68-010150		Hex Nut, 3/8	5

DIRT SHROUD ASSEMBLY (03-081-052)



ITEM	PART NO.	SERIAL NO. OR YR.	DESCRIPTION	QTY.
1	33-080-168		Dirt Shroud Assembly	1
2	33-050-050		Dirt Shroud Seal	1
3	15-050-071		3/16 L.F. Pop Rivet	8

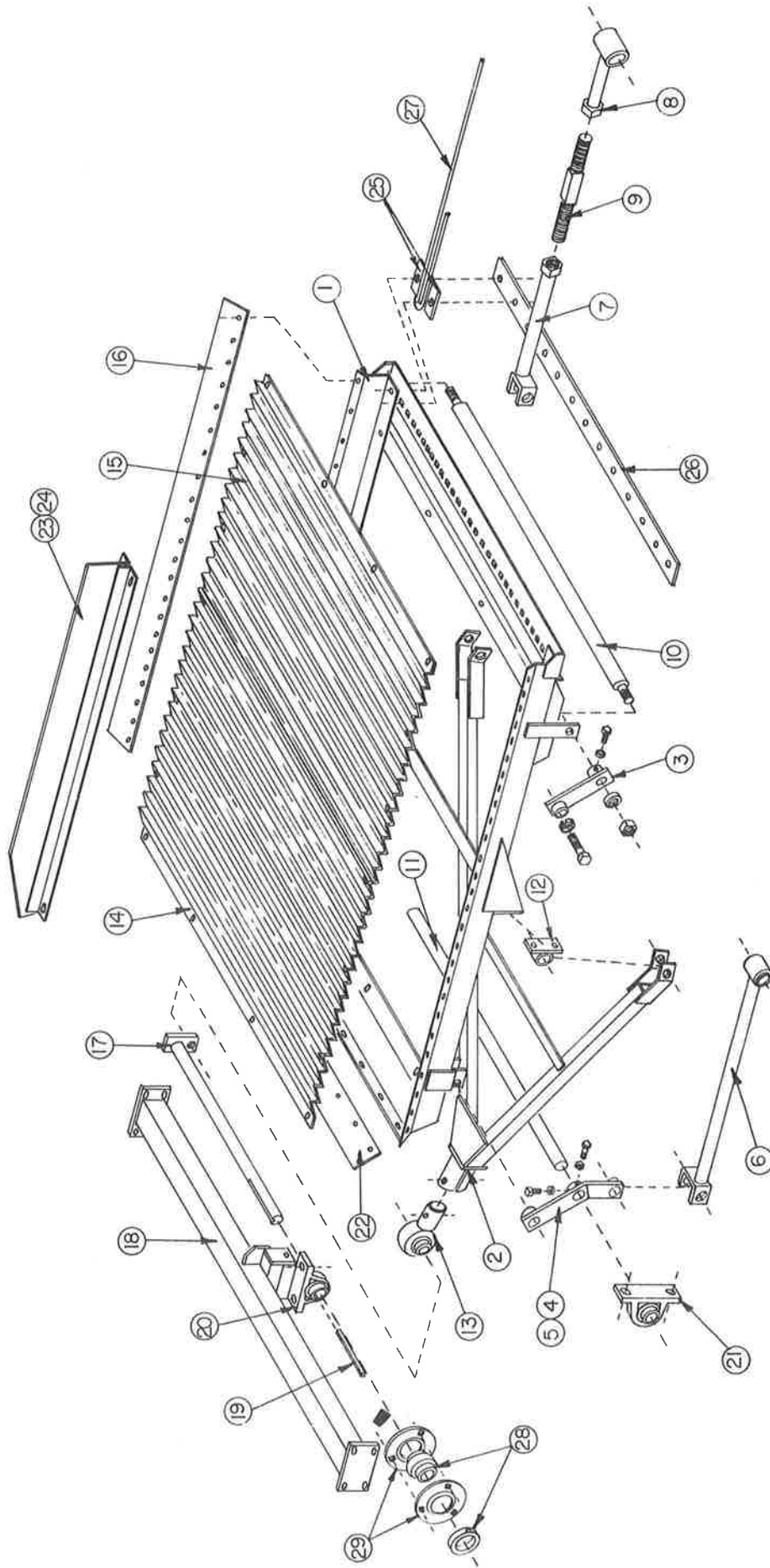
CONVEYOR GROUP



CONVEYOR GROUP

ITEM	PART NO.	SERIAL NO. OR YR.	DESCRIPTION	QTY.
1	33-080-022		Fan - Outside	1
2	33-080-023		Fan - Inside	1
3	33-080-017		Fan Support	1
4	33-025-007		Angle	1
5	33-025-041		Clip	1
6	33-023-091		Support	1
7	33-027-024		Wheel	1
8	33-027-029		Blade - Outside	6
9	33-027-028		Blade - Inside	6
10	33-080-186		Hub	1
11	33-026-011		Shaft	1
12	33-051-003		Bearing	2
13	33-080-026		Door	1
14	33-080-035		Hopper	1
15	33-080-027		Baffle	1
16	33-026-014		Shaft	2
17	33-080-034		Auger Trough Assembly	1
18	33-080-086		Baffle - Front	1
19	33-080-029		Baffle - Rear	1
20	33-080-032		Auger	1
21	33-080-031		Top Cover Assembly	1
22	33-080-030		Top Hopper Assembly	1
23	33-080-033		Trough Support	1
24	03-051-021		Bearing	2
25	04-051-002		Bearing Flange	4
26	33-080-172		Duct Assembly	1
27	33-027-019		Duct Clamp	1
28	33-027-293		Duct Support	1
29	33-026-013		Link - Hopper	1
30	33-026-035		Flange	1
31	33-050-046		Draw Latch	1
32	14-050-002		Spring, Extension 1/4 x 4-21/32	1
33	33-080-207		Shield, Air Lift Fan	1
34	33-050-052		#808 Woodruff Key, 1/4 x 1	2

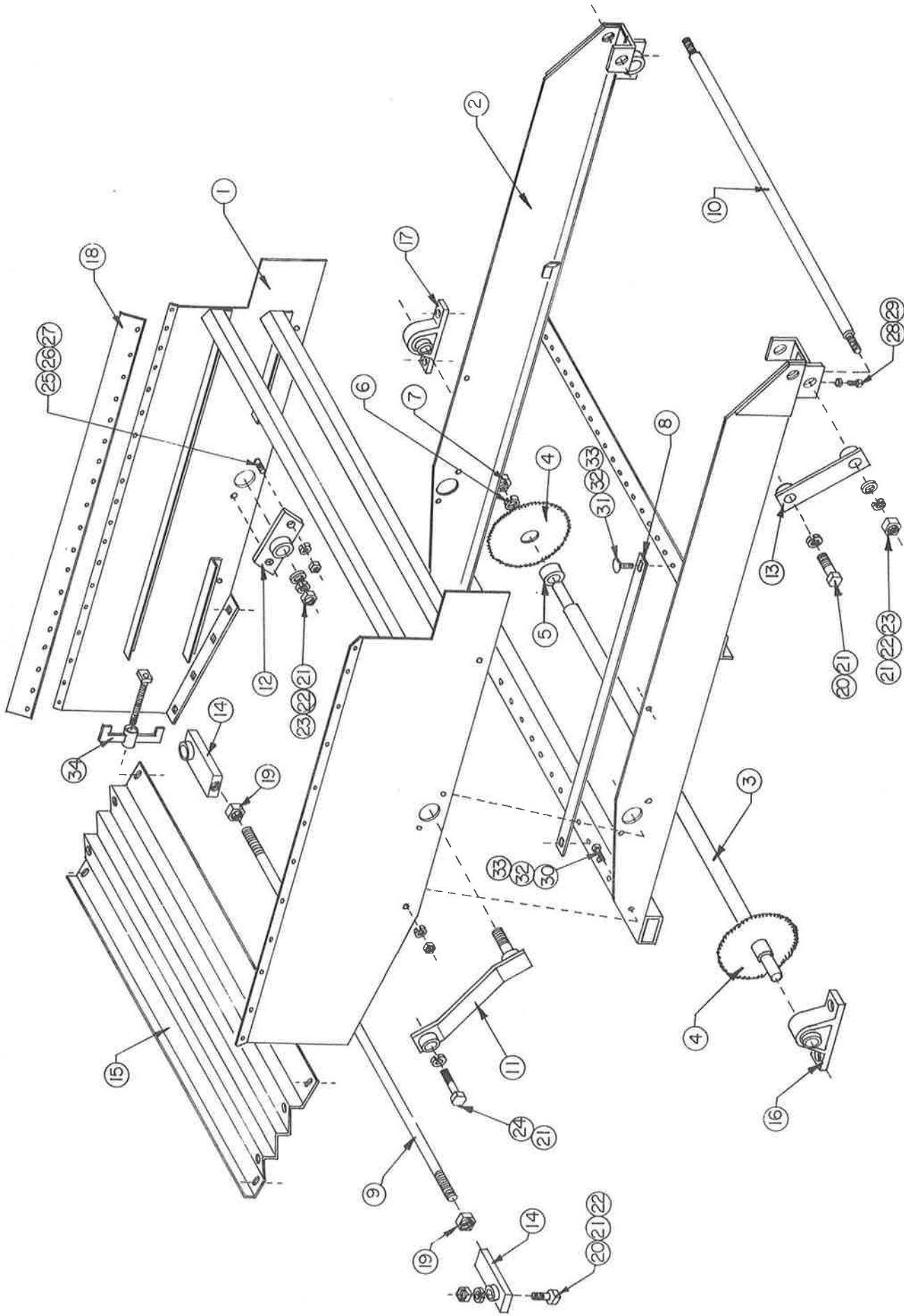
PAN AND ECCENTRIC SUPPORT ASSEMBLY



PAN AND ECCENTRIC SUPPORT ASSEMBLY

ITEM	PART NO.	SERIAL NO. OR YR.	DESCRIPTION	QTY.
1	33-080-020		Pan Frame	1
2	33-080-021		Yoke Assembly	1
3	33-081-009		Hanger Assembly	2
	33-080-003		Hanger Weldment	2
	33-050-015		Bushing, Rubber Pivot	2
4	33-081-013		Hanger Assembly - Lt.	1
	33-080-024		Hanger Assembly - Lt.	1
	33-050-015		Bushing, Rubber Pivot	1
5	33-081-014		Hanger Assembly - Rt.	1
	33-080-025		Hanger Assembly - Rt.	1
	33-050-015		Bushing, Rubber Pivot	1
6	33-081-015		Push Rod Assembly	1
	33-080-014		Push Rod Weldment	1
	33-050-015		Bushing, Rubber Pivot	1
7	33-080-001		Push Rod Weldment	1
8	33-081-017		Push Rod Assembly	1
	33-080-002		Push Rod Weldment	1
	33-050-015		Bushing, Rubber Pivot	1
9	33-026-034		Push Rod Adj. Stub	1
10	33-026-008		Pan Shaft	1
11	33-026-033		Pan Shaft - Front	1
12	33-081-016		Pan Bearing Support Assembly	2
	33-080-012		Pan Bearing Support Weldment	2
	33-050-015		Bushing, Rubber Pivot	2
13	33-081-024		Eccentric Bushing and Bearing Assembly	1
	33-057-001		Eccentric	1
	33-051-009		Bearing	1
	33-024-081		Bushing	1
14	33-027-158		Pan Floor - Front	1
15	33-027-324		Pan Floor - Rear	1
16	33-050-003		Pan Seal	2
17	33-080-006		Eccentric Shaft Assembly	1
18	33-080-063		Eccentric Support	1
19	33-026-087		Key, 3/8 x 2-1/2	1
20	33-051-004		1-7/16 Pillow Bearing Assembly	1
21	33-051-005		1-3/16 Pillow Bearing Assembly	2
22	33-050-025		Pan Seal - Front	1
23	33-080-010		Divider - Lt.	1
24	33-080-011		Divider - Rt.	1
25	33-023-217		Tine Spacer	25
26	33-023-218		Tine Support - Bottom	1
27	33-050-024		Seperator Tine	20
28	33-051-001		1-7/16 Bore Bearing	1
29	03-051-024		#72 MSTR 3-H Flange	2

STEMMER TOP AND BOTTOM

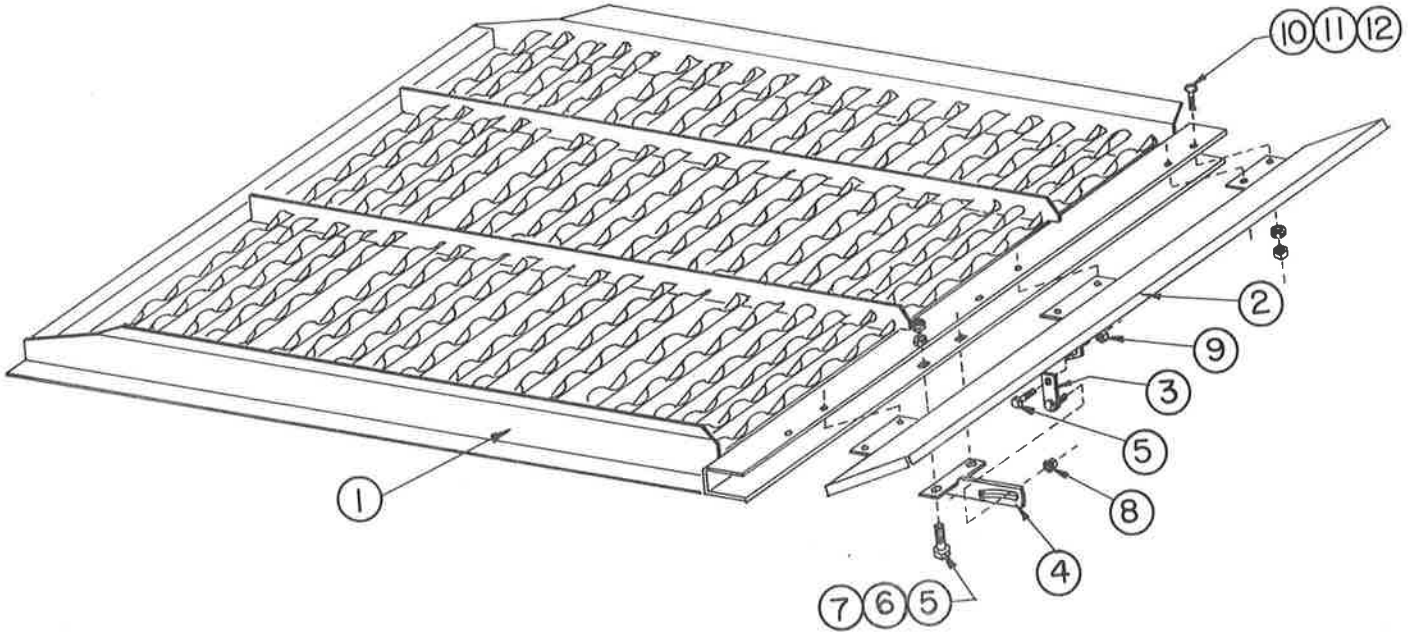


STEMMER TOP AND BOTTOM

ITEM	PART NO.	SERIAL NO. OR YR.	DESCRIPTION	QTY.
1	33-080-074		Stemmer Top	1
2	33-080-073		Stemmer Bottom	1
3	33-080-099		Shaft	2
4	33-050-013		Saw	80
5	33-024-063		Spacer	78
6	66-010450		Lockwasher, 1"	2
7	68-010450		Hex Nut, 1"	2
8	33-023-007		Stemmer Slats	39
*9	33-026-006		Stabilizer Rod	1
10	33-026-007		Stemmer Shaft	1
11	33-081-001		Hanger Assembly	2
	33-080-005		Hanger	2
	33-050-015		Bushing, Rubber Pivot	2
12	33-081-012		Support Assembly - Stemmer	2
	33-080-084		Support, Assembly	2
	33-050-015		Bushing, Rubber Pivot	2
13	33-081-010		Hanger Assembly	2
	33-080-004		Hanger	2
	33-050-015		Bushing, Rubber Pivot	4
14	33-081-018		Rod End Assembly	2
	33-023-195		Rod End	2
	33-050-015		Bushing, Rubber Pivot	2
15	33-027-125		Stemmer Floor	1
16	33-051-003		1" Pillow Bearing	2
17	33-051-006		7/8" Pillow Bearing	2
18	33-050-022		Seal, Stemmer	2
*19	70-010140		Hex Jam Nut, 5/8"	2
20	48-091000		Capscrew, 5/8 x 3 Grd. 5 Plt'd	4
21	66-010300		Lockwasher, 5/8	10
22	68-010300		Hex Nut, 5/8	6
23	62-010250		Flatwasher, 5/8	4
24	48-090985		Capscrew, 5/8 x 2-3/4 Grd. 5 Plt'd	2
25	48-090595		Capscrew, 1/2 x 1-1/2	4
26	66-010250		Lockwasher, 1/2	4
27	68-010250		Hex Nut, 1/2	4
28	-		Setscrew, 5/16 x 3/4	2
29	-		Jam nut, 5/16	2
30	48-040060		Capscrew, 5/16 x 3/4 Grd. 2 Plt'd	4
31	52-030150		Carriage Screw, 5/16 x 1 Grd. 2 Plt'd	78
32	66-010100		Lockwasher, 5/16	82
33	68-010100		Hex Nut, 5/16	82
34	33-080-066		Screen Lock Assembly	2

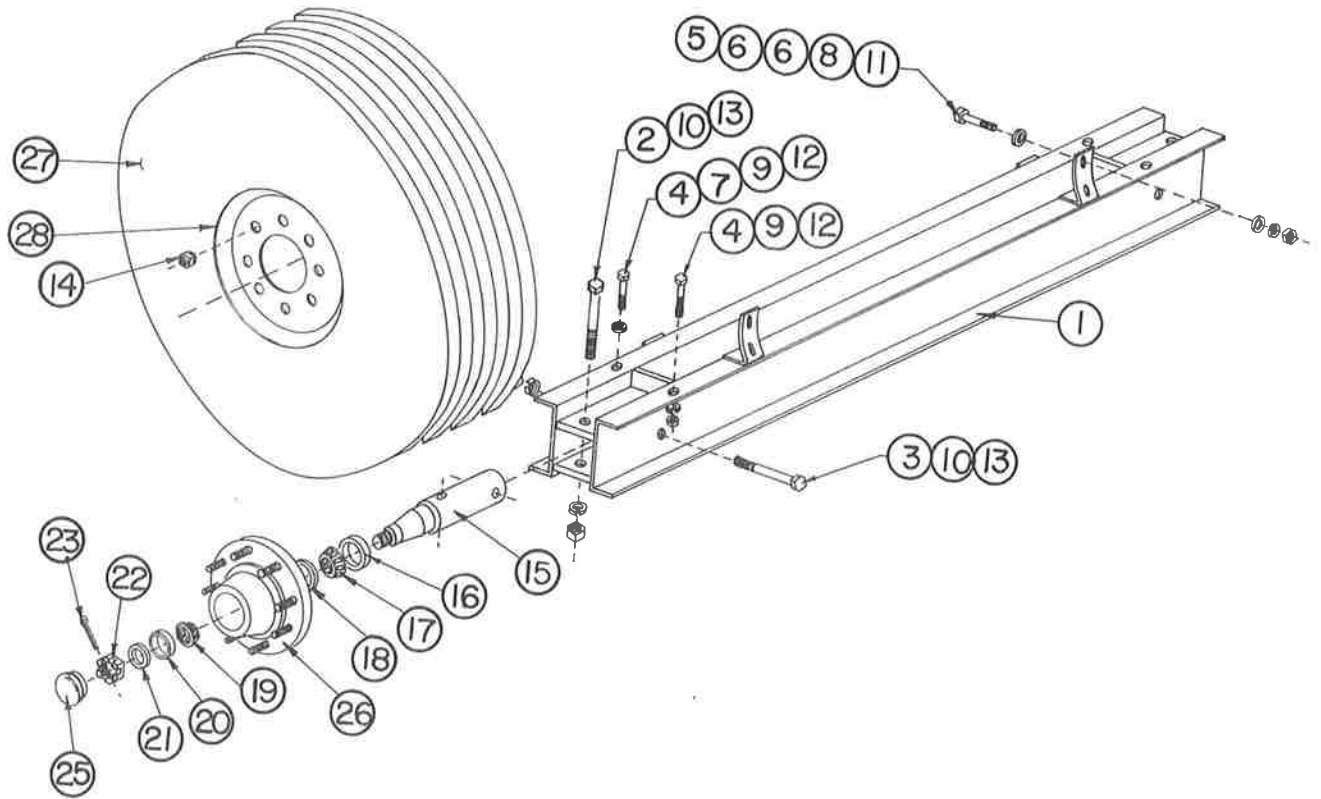
*Makes Up 33-081-025 (Stabilizer Rod Assembly)

SCREEN AND TAILBOARD



ITEM	PART NO.	SERIAL NO. OR YR.	DESCRIPTION	QTY.
1	33-050-007		Screen	1
2	33-080-175		Tailboard	1
3	33-080-174		Link	1
4	33-080-173		Support	1
5	48-040060		Capscrew, 5/16 x 3/4	3
6	66-010100		Lockwasher, 5/16	2
7	68-010100		Hex Nut, 5/16	2
8	79-020049		Locknut, 5/16 Flange Whiz	1
9	72-010025		Locknut, 5/16	1
10	68-010050		Hex Nut, 1/4	2
11	66-010050		Lockwasher, 1/4	2
12	58-020102		Machine Screw, 1/4 x 3/4 Round Head	2

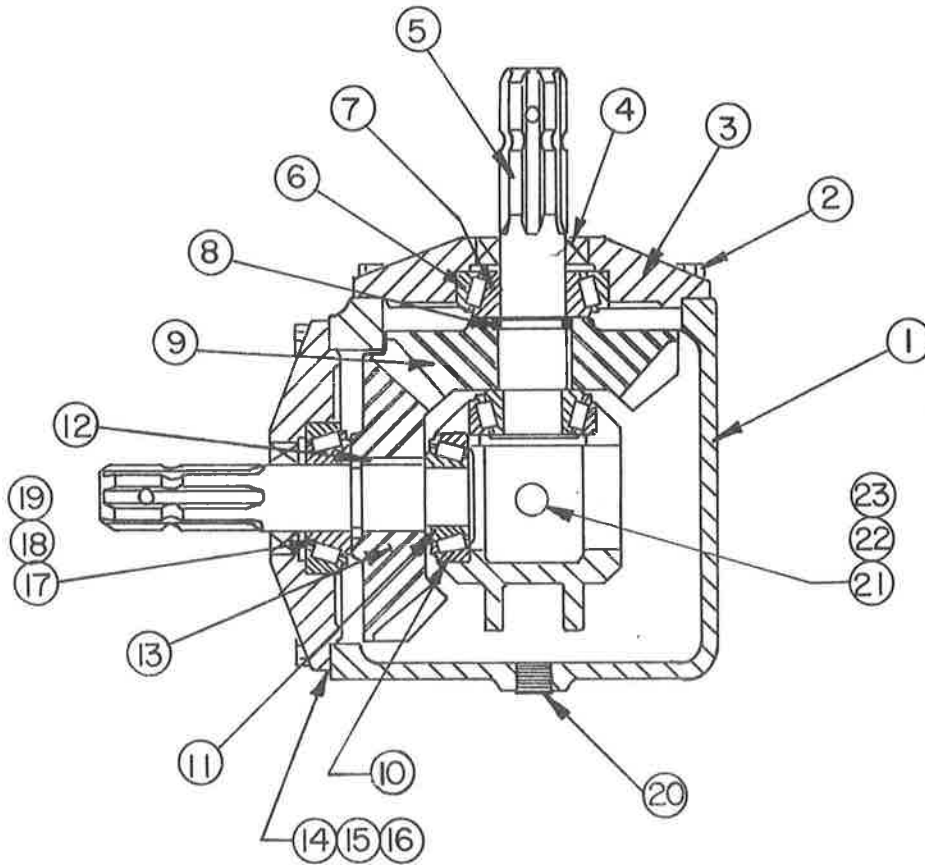
AXLE ASSEMBLY



ITEM	PART NO.	SERIAL NO. OR YR.	DESCRIPTION	QTY.
1	33-080-097		Axle Assembly	1
2	48-091100		Capscrew, 5/8 x 5 Grd. 5 Plt'd	2
3	48-091075		Capscrew, 5/8 x 4-1/2 Grd. 5 Plt'd	2
4	48-090595		Capscrew, 1/2 x 1-1/2 Grd. 5 Plt'd	4
5	48-090100		Capscrew, 3/8 x 1 Grd. 5 Plt'd	4
6	62-010100		Flatwasher, 3/8 Plt'd	8
7	62-010200		Flatwasher, 1/2 Plt'd	2
8	66-010150		Lockwasher, 3/8	8
9	66-010250		Lockwasher, 1/2	4
10	66-010300		Lockwasher, 5/8	4
11	68-010150		Hex Nut, 3/8	8
12	68-010250		Hex Nut, 1/2	4
13	68-010300		Hex Nut, 5/8	4
14	33-058-008		Stud Nut, 5/8	16
15	33-050-018		Spindle	2
16	33-051-017		Inner Cup	2
17	33-051-018		Inner Cone	2
18	33-056-007		Seal	2
19	02-051-007		Outer Cup	2
20	02-051-008		Outer Cone	2
21	33-058-007		Spindle Washer	2
22			Spindle Nut, 1"	2
23	76-010150		Spindle Cotter Pin, 3/16 x 2	2
24	33-058-004		Stud	16
25	33-058-005		Dust Cap	2
26	33-058-006		Hub	2
27	33-058-001		11.25 - 24 Tire	2
28	33-058-002		W 10 H - 24 Rim	2

GEAR BOX

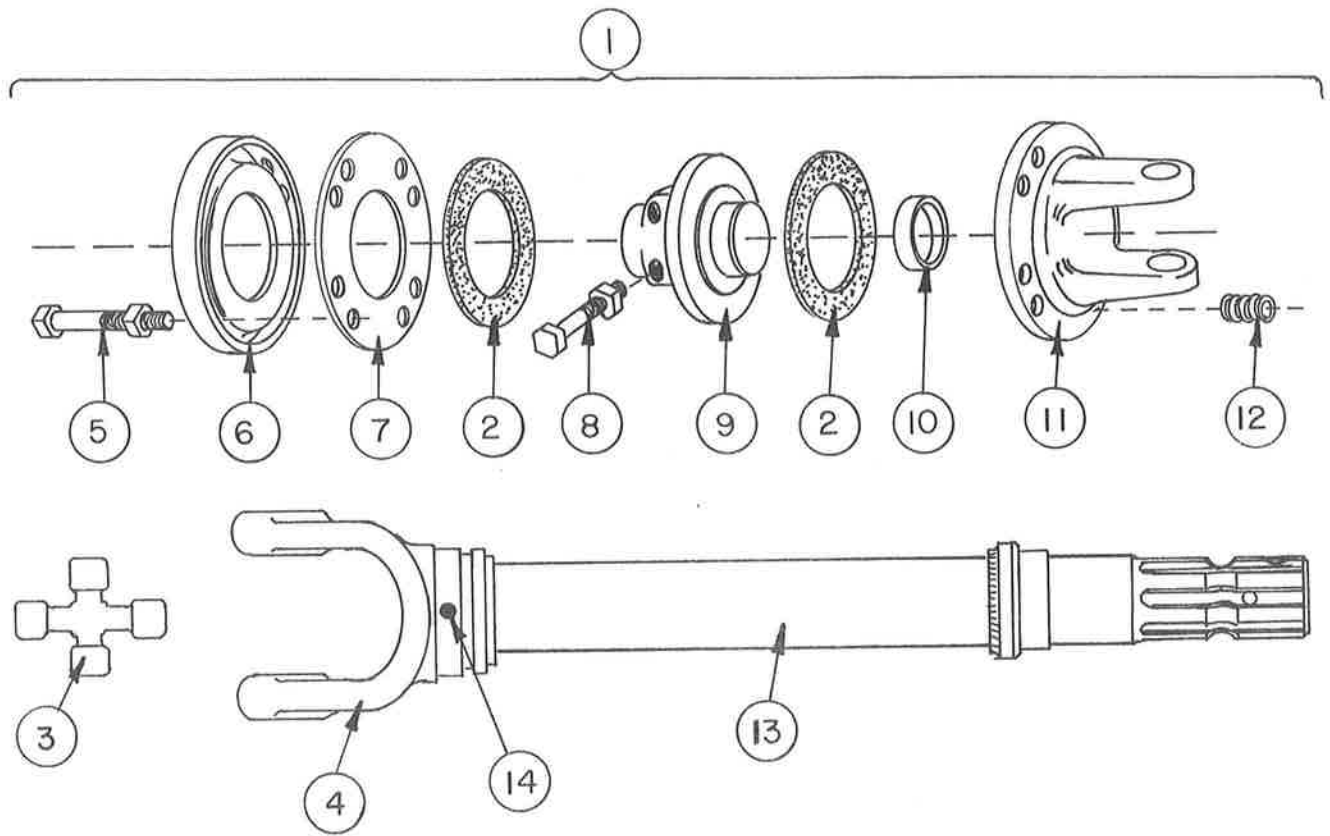
(540 RPM AND 1000 RPM)



ITEM	PART NO.	SERIAL NO. OR YR.	DESCRIPTION	QTY.
1			Housing	1
2			Sems Capscrew	16
3	33-054-002		Cap	2
4	33-056-001		Seal	2
5	33-054-004		Shaft	2
6	33-051-013		Bearing Cup	2
7	33-051-014		Bearing Cone	2
8	33-054-005		Retaining Ring	2
9	33-054-006		Gear 20 Tooth	1
10	33-051-015		Bearing Cup	2
11	33-051-016		Bearing Cone	2
12	33-054-007		Key	2
13	33-054-008		Gear 27 Tooth	1
14	33-056-002		Gasket (.015)	VAR.
15	33-056-003		Gasket (.005)	VAR.
16	33-056-004		Gasket (.003)	VAR.
17	33-054-012		Shim (.010)	VAR.
18	33-054-013		Shim (.005)	VAR.
19	33-054-014		Shim (.002)	VAR.
20			Pipe Plug (solid)	2
21	33-054-015		Dip Stick Assembly	1

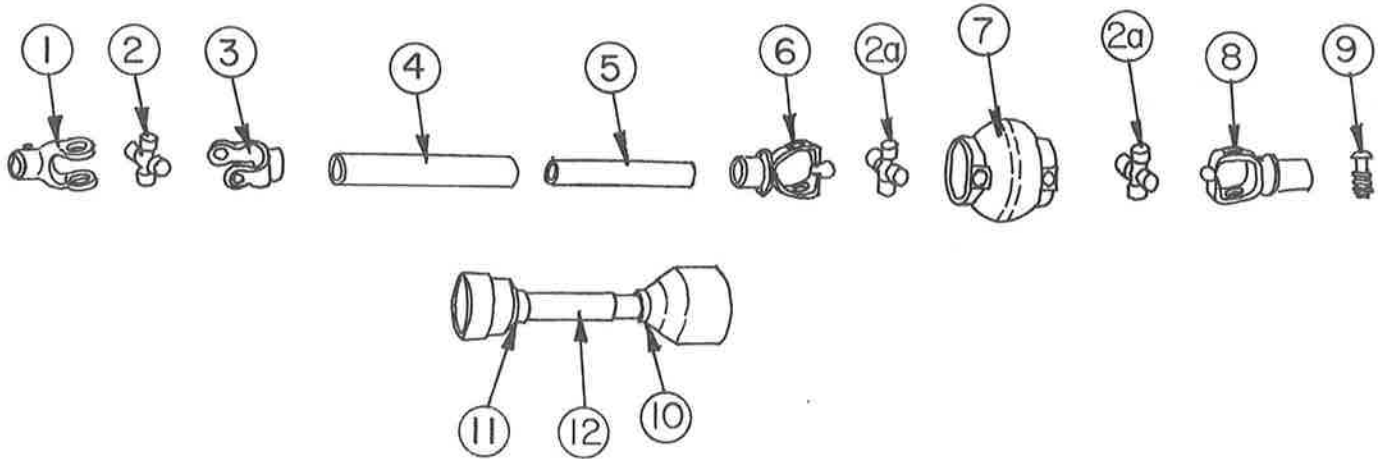
PEDESTAL SHAFT (540)
(33-055-005)

PEDESTAL SHAFT (1000)
(33-055-003)



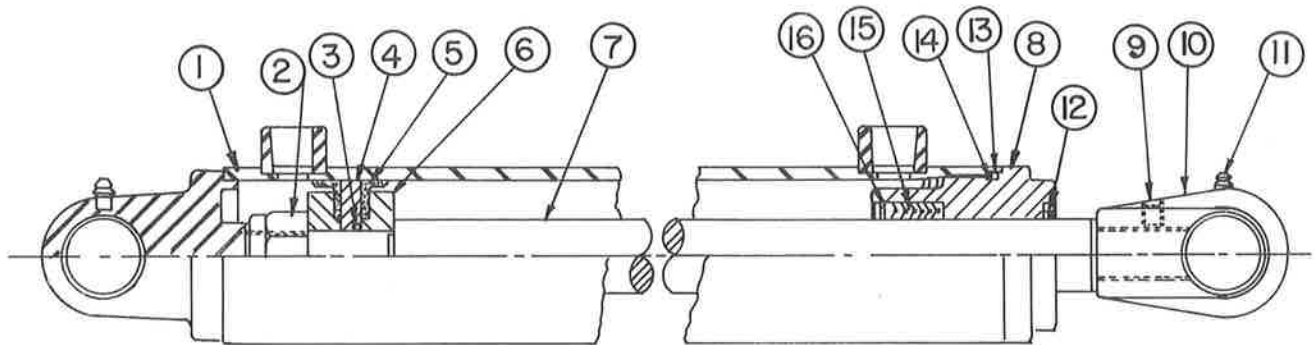
ITEM	PART NO.	SERIAL NO.	DESCRIPTION	QTY.	
				540	1000
1	33-055-007		Clutch (1000 RPM)	-	1
	33-055-009		Clutch (540 RPM)	1	-
2	33-055-008		Clutch Disc	1	1
3	33-055-006		Cross & Brg. Kit	1	1
4	33-055-025		Outer Tube Yoke	1	1
5	27-055-010		Disc Mtg. Bolt	8	8
6	33-055-026		Pressure Rate	1	1
7	33-055-027		Inner Plate 4mm	1	1
8	27-055-014		Yoke Belt	2	2
9	33-055-028		Friction Lining Support	1	1
10	27-055-016		Sleeve	1	1
11	33-055-029		#6 Flanged Yoke	1	1
12	27-055-018		540 Spring (6 mm)	8	-
	27-055-019		1000 Spring (5 mm)	-	8
13	33-055-030		Splined Shaft Assembly	1	1
14	33-050-056		Roll Pin, (3/8 x 3)	1	1

CONSTANT VELOCITY DRIVELINE



ITEM	PART NO.	SERIAL NO. OR YR.	DESCRIPTION	QTY.
1	33-055-012		Splined Yoke w/ 21/64 Pin Hole (211060355)	1
2	33-055-006		Cross and Bearing Kit (41206)	1
2a	33-055-010		Cross and Bearing Kit (412060004)	2
3	33-055-018		Inner Tube Yoke (204066852)	1
4	33-055-023		Inner Tube (245160745)	1
5	33-055-024		Outer Tube (125170745)	1
6	33-055-019		Outer Tube Yoke (CV) (218066856)	1
7	33-055-020		Central Body (508060052)	1
8	33-055-011		Tractor Yoke - 540 (218060357)	1
	33-055-016		Tractor Yoke - 1000, 1-3/8 - 21 (519063758)	1
	33-055-017		Tractor Yoke - 1000, 1-3/4 - 20 (519063860)	1
9	33-055-021		Q.D. Pin Kit 540 & 1000, 1-3/8 (403000001)	1
	33-055-022		Q.D. Pin Kit 1000, 1-3/4 (403000011)	1
10	33-055-013		Outer Shield Bearing (255060005)	1
11	33-055-014		Inner Shield Bearing (255060006)	1
12	33-055-015		Shield Assembly (5H106091)	1

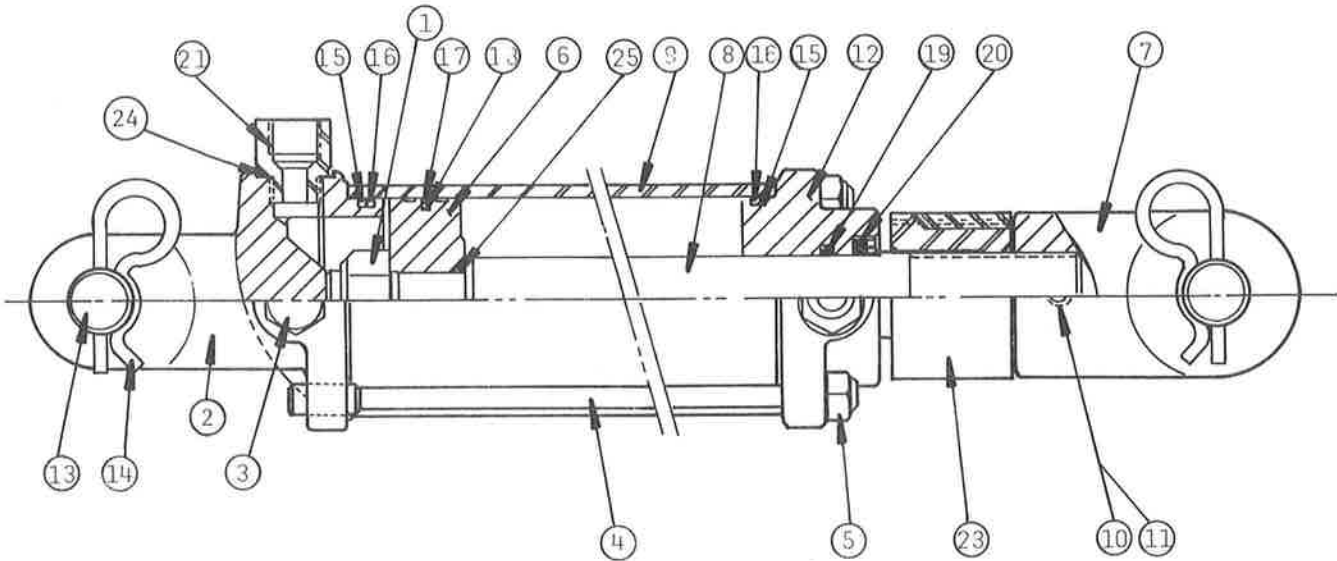
2-1/2 x 30 STROKE CYLINDER (33-061-001)



ITEM	PART NO.	SERIAL NO. OR YR.	DESCRIPTION	QTY.
1	33-061-003		End Cap & Barrel Assembly (1404705)	1
2	-		Lock Nut (5022009)	1
3	33-056-005		O-Ring (5009212)	1
4	33-061-004		Piston (1401910)	1
5	33-061-005		Cup (1327771)	1
6	33-061-006		Retaining Ring (1401914)	1
7	33-061-007		Piston Rod (1402717)	1
8	33-061-008		Cyl. Head. (1401951)	1
9	-		Setscrew (5092351)	1
10	33-061-009		Clevis Assembly (1404868)	1
11	-		Grease Fitting	2
12	33-061-010		Rod Wiper (1327724)	1
13	33-061-011		Back-Up (5037230)	1
14	33-056-006		O-Ring (5009230)	1
15	33-061-012		Packing Set (1327789)	1
16	33-061-013		Snap Ring (5082431)	1

'85 - 3 x 8 x 1-1/4 HYDRAULIC CYLINDER (BLACK)

(02-061-053)



ITEM	PART NO.	SERIAL NO. OR YR.	DESCRIPTION	QTY.
1	21-061-005		Locknut	1
2	21-061-047		Bottom (3 x 8)	1
3	21-061-015		Plug Assembly	1
4	21-061-054		Tie Rod (3 x 8), 7/16	4
5	68-010200		Nut, 7/16	4
6	21-061-050		Piston (3 x 8)	1
7	21-061-035		Clevis Machine, 1-1/4	1
8	21-061-036		Shaft, 1-1/4 Dia.	1
9	02-061-052		Case (3 x 8)	1
10	21-061-013		Nylon Plug	1
11	21-061-012		Setscrew	1
12	21-061-053		Head (3 x 8)	1
13	21-061-016		Clevis Pin	2
14	21-061-017		Cotter Pin	4
*15	21-061-055		Back-Up (3 x 8)	2
*16	21-061-052		O-Ring (3 x 8)	2
*17	21-061-048		Piston Seal (3 x 8)	1
*18	21-061-049		O-Ring (3 x 8)	1
*19	21-061-039		U-Cup, 1-1/4 Dia.	1
*20	21-061-040		Wiper, 1-1/4	1
21	21-061-028		Adaptor Assembly	1
22	21-061-018		Decal	1
23	21-061-043		Stop Collar, 1-1/4 Dia.	1
*24	21-061-025		O-Ring	3
*25	21-061-027		O-Ring	1

* Items make up '85 Seal Kit (02-061-041)