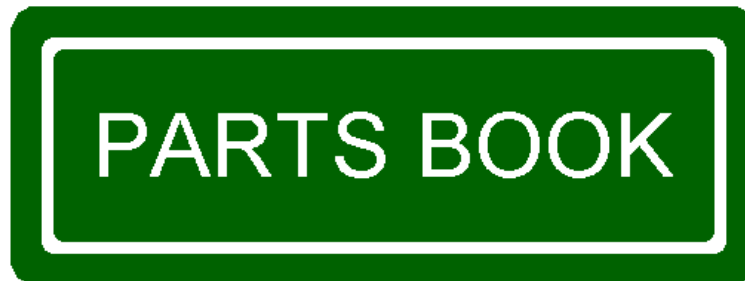




**WIDE BODY 4-ROW &
6-ROW PEANUT COMBINES
W/ 4X36, 4X40, 6X30, 6X36, & 6X40/8X30, HEADERS**

TO BE USED FOR MACHINES FROM 2004 TO 2011



**33-SERIES
3374 & 3376**

KELLEY MANUFACTURING CO.

80 Vernon Drive / Zip 31794
P.O. Drawer 1467 / Zip 31793
Tifton, GA

Tel: 229-382-9393
Toll Free: 1-800-444-5449
Fax: 229-382-5259
Email Address: info@kelleymfg.com

PART NO. 33-PB-05
Printing Date: JUNE 2011



4 X 36 KMC PEANUT COMBINE

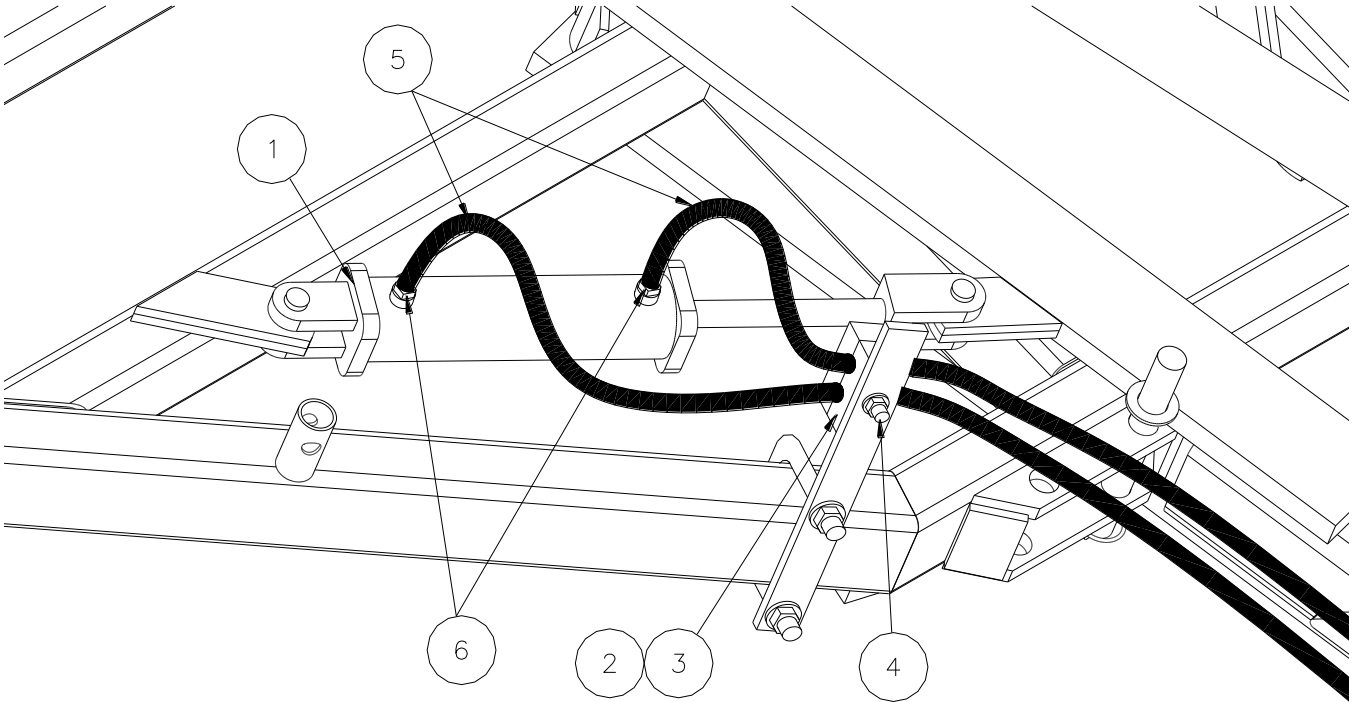


6 X 36 KMC PEANUT COMBINE

TABLE OF CONTENTS

LOWER TONGUE	2-5
SWIVEL GEAR BOX	6-7
PRIMARY DRIVELINES, 1 3/8 & 1 3/4	8-11
SECONDARY DRIVELINE W/SHEAR BOLT (WS)	12
GEAR BOX, 90°	13
TONGUE, 4RWB & 6R	14-15
SWING CYLINDER KIT, 2002	16
HYDRAULIC CYLINDER, 2 1/2 X 10	17
UPPER HEADER	18-19
LT & RT FENDERS & SUPPORT BAR	20-21
LT, RT & CENTER TROUGHS	22-23
HEADER TIE & AUGER	24-25
LT & RT CONNECTORS & DROP FLOOR	26
PICK-UP	27
LOWER HEADER HYDRAULICS	28-29
4R & 6R HYDRAULIC HEAD MOTORS	30-31
LEFT SIDE DRIVES	32-39
VARIABLE PITCH SHEAVE, 6R FRONT & REAR	40-41
RIGHT SIDE DRIVES	42-49
FRONT FRAME ASSEMBLY	50-51
REAR TOP FRAME ASSEMBLY	52
REAR BOTTOM FRAME ASSEMBLY	53
SIDE FRAME & CONCAVE SHAFTS	54
CYLINDER CONCAVE GROUPS, #1, #2, #3, #4, #5, #6, & #7	55-56
TOP & LOWER STRIPPER BARS W/ STRIPPER HANDLE	58-61
CHART FOR IDENTIFYING CYLINDER BARS	61
CYLINDERS, #1, #2, #3, #4, #5, #6, & #7	62-65
SHAKER PAN	66-67
STEMMER FRAME	68-69
SCREEN & TAILBOARD	70
STEMMER SAWS	72-73
WHEELS, SPINDLES, & AXLES	74-75
LT & RT SIDE MOUNTING, 4RWB & 6R FAN	76-77
SEPARATOR FAN	78-79
BEARINGS AND HANGERS	80-81
PUSH RODS & ECCENTRIC BEARING (2004-2007)	82-83
PUSH RODS & ECCENTRIC BEARING (2008 TO PRESENT)	84-85
CENTER BEARING SUPPORT	86
SEPARATOR FAN BRACE SUPPORT	87
AIR LIFT FAN, LT & RT (2004-2005)	88-89
AIR LIFT FAN, LT & RT (2006 TO PRESENT)	90-91
DUCTS, AIR LIFT FAN	92-93
TANK, 4RWB & 6R	94-97
HYDRAULIC GROUP, 4RWB & 6R	98-100
HYDRAULIC CYLINDERS, 3 x 6, 3 1/2 X 6, 3 X 43	102-104
"T" VINE SPREADER GEAR BOX	105
VINE SPREADER, 4RWB & 6R	106-107
SHIELD GROUP, 4RWB & 6R LT SIDE	108-109
SHIELD GROUP, 4RWB & 6R RT SIDE	110-111
REAR HOOD (2004-2005)	112
REAR HOOD (2006-PRESENT)	113
VINE HOLD DOWN KIT, 4RWB & 6R	114
LIGHT ASSEMBLY, 4-ROW & 6-ROW	115-118

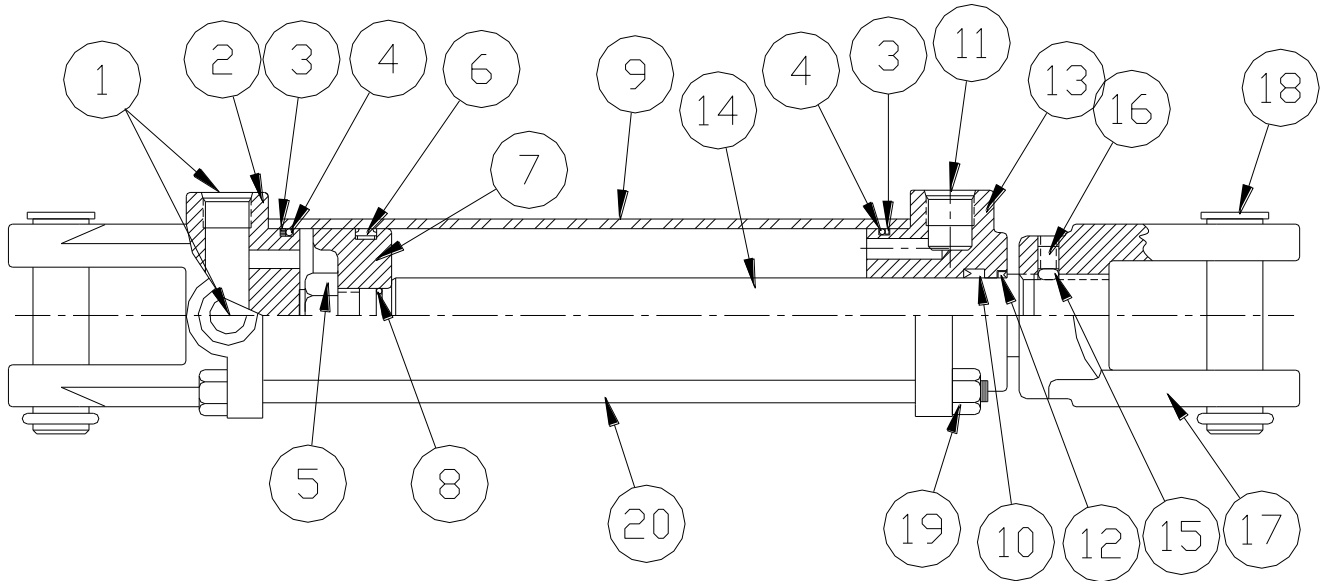
2002 SWING CYLINDER KIT
(33-081-306)



ITEM	PART NO	SERIAL NO OR YR	DESCRIPTION	QTY
1	16-061-068		CYLINDER, 2 1/2 X 10	1
2	33-050-158		CLAMP, HOSE	1
3	33-050-160		PLATE, COVER	1
4	48-090074		CAPSCREW, 5/16 X 4 1/2 G5 PLT	1
5	33-059-111		HOSE, 6M3K-8FJX-8MP-150"	2
6	33-059-080		ADAPTER, 8MB-8MJ	2
7	62-010370		FLATWASHER, 1 STD PLT	1

2 1/2 X 10 HYDRAULIC CYLINDER

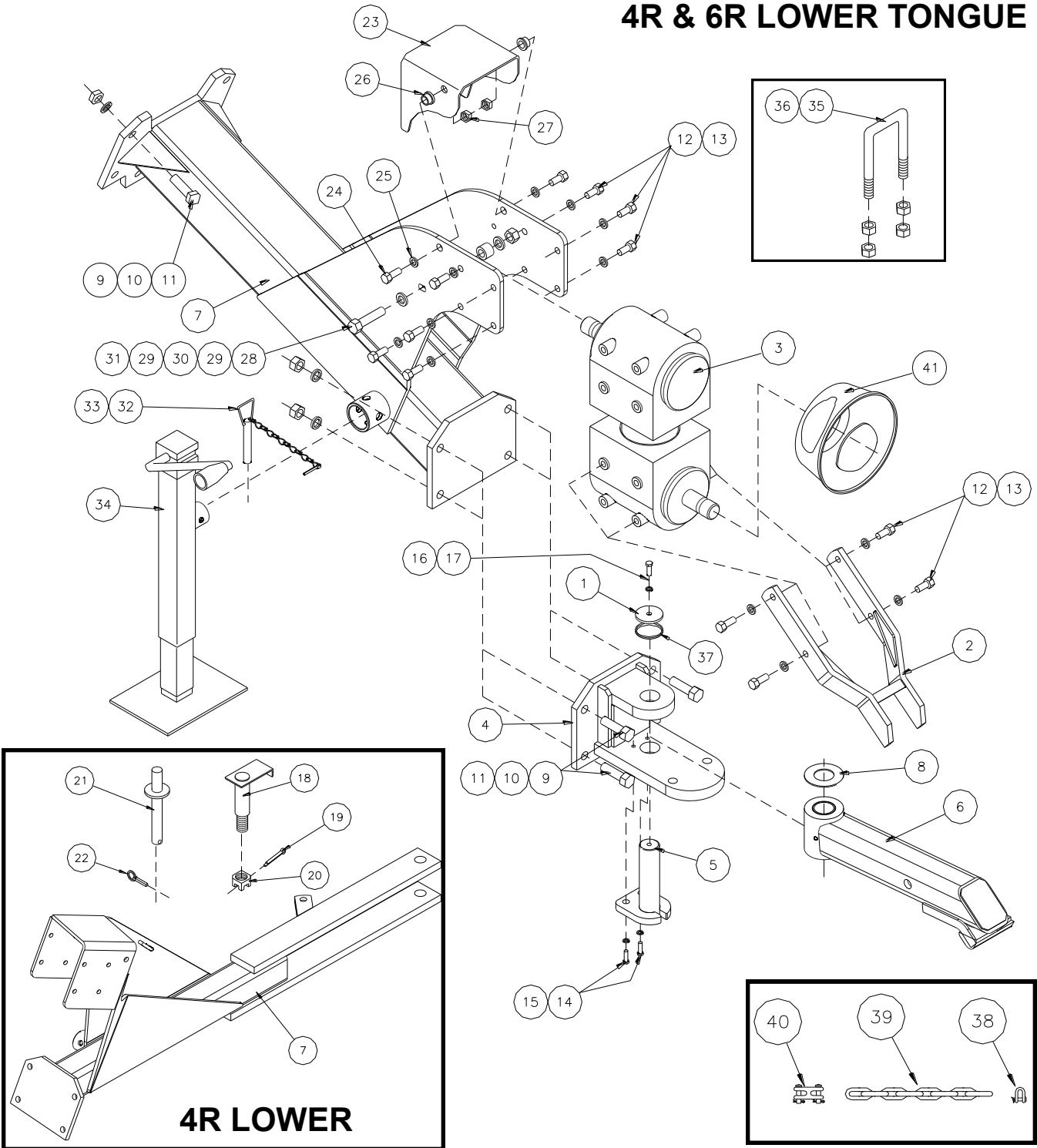
(16-061-068)



ITEM	PART NO	SERIAL NO OR YR	DESCRIPTION	QTY
1	21-061-015		PLUG, ORING BOSS	2
2	33-061-127		BOTTOM CLEVIS	1
3	33-061-128		BACKUP RING, 2.312 X 2.50	2
4	33-061-129		ORING, 2.312 X 2.50	2
5	42-061-021		JAM NUT, 7/8-14UNF G5	1
6	16-061-074		CUSTOM BORE SEAL, 2.500 B	1
7	33-061-114		PISTON, 2 1/2 DIA	1
8	33-056-041		ORING, .75 X .875	1
9	16-061-075		WALL, 2.5 ID X 0.125 W X 12.50	1
10	33-061-130		UCUP LIP, 1.125 X 1.375 X 0.25	1
11	07-061-042		PLUG ORING BOSS, 3/4-16	1
12	42-061-119		WIPER RING, 1.125	1
13	33-061-131		GUIDE, 2.50 OD X 1.125 ID	1
14	16-061-076		ROD, 1.125 D X 14.875	1
15	33-061-036		BALL NYLON, 0.250	1
16	54-020010		SETSCREW, 3/8-16 X 0.375	1
17	42-061-122		ROD CLEVIS, 1.12-12UNF	1
18	21-061-072		CLEVIS PIN & CLIP, 1 DIA	2
19	42-061-030		HEX NUT, 7/16-14	8
20	42-061-055		TIE ROD, 0.385 D X 14.75	4

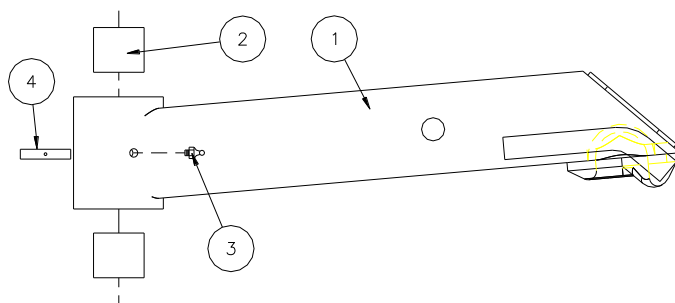
SEAL KIT FOR THIS CYLINDER IS 33-061-133

4R & 6R LOWER TONGUE



ITEM	PART NO	SERIAL NO OR YR	DESCRIPTION	4R	6R
1	33-033-058		CAP, PIVOT PIN	1	1
2	33-070-215		GUIDE, GEARBOX	1	1
3	33-054-054		GEARBOX, (WS) SWIVEL	1	1
4	33-070-077		PIVOT YOKE	1	1
5	33-070-268		ROUND, PIVOT PIN	1	1
6	33-081-318		DRAWBAR, EXTENSION	1	1
7	33-070-043		TONGUE, 4R LOWER (WS)	1	-
	33-070-068		TONGUE, 6R LOWER (WS)	-	1

ITEM	PART NO	SERIAL NO OR YR	DESCRIPTION	4R	6R
8	33-050-325		WASHER, THRUST 2" ID X 4" OD	1	1
9	48-200100		CAPSCREW, 7/8 X 3 G8 PLT	10	10
10	66-010400		LOCKWASHER, 7/8	10	10
11	68-010406		HEX NUT, 7/8	10	10
12	33-050-327		CAPSCREW, M16-2.0 X 4.0MM	12	12
13	66-010300		LOCKWASHER, 5/8	12	12
14	48-200024		CAPSCREW, 3/8 X 1 1/4	2	2
15	66-010150		LOCKWASHER, 3/8	2	2
16	48-090350		CAPSCREW, 7/16 X 1 1/4	1	1
17	66-010200		LOCKWASHER, 7/16	1	1
18	33-070-288		PIN, TONGUE PIVOT	1	-
19	76-010540		COTTER PIN, 3/8 X 3 1/2	1	-
20	68-030155		CASTLE NUT, 1 1/2	1	-
21	33-080-421		PIN, STOP	1	-
22	03-050-094		PIN, 7/16 X 2 LINCH	1	-
23	33-028-748		GUARD, DRIVELINE SHIELD	1	1
24	48-090170		CAPSCREW, 3/8 X 1 1/2 G5 PLT	2	2
25	62-010100		FLATWASHER, 3/8 STD PLT	2	2
26	33-050-134		BUSHING, PED. SHAFT	2	2
27	72-010050		LOCKNUT, 3/8	2	2
28	48-090984		CAPSCREW, 5/8 X 2 1/2 G5 PLT	1	1
29	62-020040		FLATWASHER, 5/8	2	2
30	33-024-486		BUSHING, 1 1/8 BUMPER	1	1
31	72-040050		JAM LOCKNUT, 5/8	1	1
32	48-050-004		PIN & CHAIN	1	1
33	76-010045		COTTER PIN, 5/32 X 1	1	1
34	48-080-010		JACKSTAND	1	1
35	33-050-363		U-BOLT, 7/8-9 X 4 15/16 X 7 G8	1	1
36	70-010200		JAM NUT, 7/8	4	4
37	33-056-046		O-RING, 2 X 2 3/16 X 3/32	1	1
38	33-050-181		CHAIN SHACKLE, 3/8"	1	1
39	33-050-140		CHAIN, 27 LINK SAFETY	1	1
40	33-050-139		DOUBLE CLEVIS LINK, 3/8	1	1
41	33-055-443		ADAPTER, IMPL GUARD	1	1

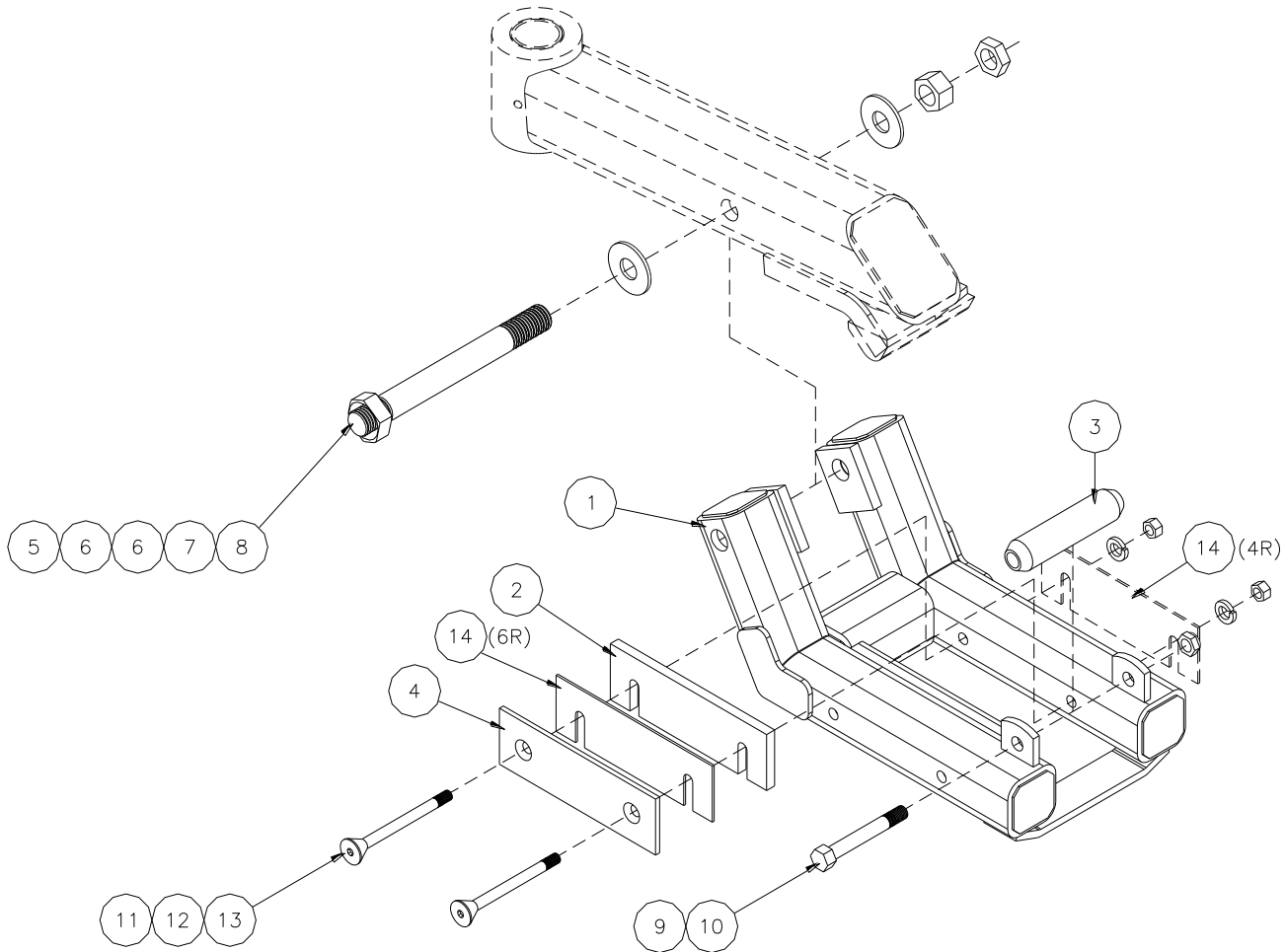


TONGUE EXTENSION ASSEMBLY
(33-081-318) ITEM #6

ITEM	PART NO	SERIAL NO OR YR	DESCRIPTION	QTY
1	33-070-078		TONGUE, EXTENSION	1
2	33-050-326		BUSHING, 2"ID X 2 1/4" LG	2
3	02-050-005		FITTING, 1/4-28 STRT GREASE	1
4	33-024-516		SPACER, 7/16 X 2.23	1

4-ROW & 6-ROW YOKE

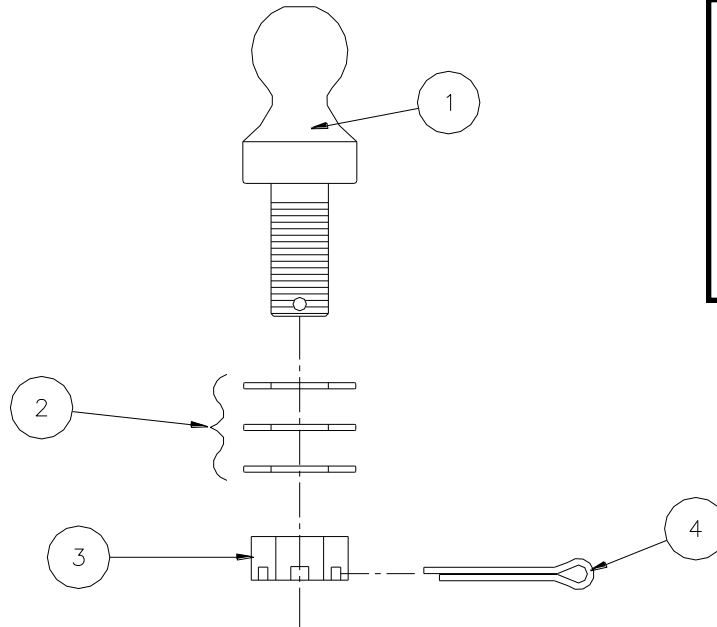
(33-082-036)



ITEM	PART NO	SERIAL NO OR YR	DESCRIPTION	QTY
1	33-070-245		YOKE, DRAWBAR	1
2	33-033-091		BAR, DRAWBAR SPACER	2
3	33-024-512		ROLLER, SETSCREW HITCH	1
4	33-033-090		WEAR PAD, 4R 1/4"	2
5	33-070-246		BOLT, DRAWBAR GUIDE PIVOT	1
6	62-010370		FLATWASHER, 1 STD	2
7	68-010460		HEX NUT, 1 G8 PLT	1
8	70-010255		JAM NUT, 1	1
9	48-091243		CAPSCREW, 5/8 X 8 1/12 G5	1
10	72-020050		LOCKNUT, 5/8	1
11	55-010625		SOC HD CAPSCREW, 1/2 X 4 1/2	4
12	66-010250		LOCKWASHER, 1/2 PLT	4
13	68-010250		HEX NUT, 1/2 PLT	4
14	33-028-934		BAR, DRAWBAR SPACER (11 GA)	2

1 1/4 SHANK BALL ASSEMBLY

(33-081-370)



ITEM	PART NO	SERIAL NO OR YR	DESCRIPTION	QTY
1	33-050-323		HITCH BALL, 1 1/4 SHANK	1
2	62-010500		FLATWASHER, 1 1/4 SPECIAL	3
3	68-030131		CASTLE NUT, 1 1/4-12	1
4	76-010350		COTTER PIN, 1/4 X 3 1/2 PLT	1

1 1/2 SHANK BALL ASSEMBLY

(33-081-372)

ITEM	PART NO	SERIAL NO OR YR	DESCRIPTION	QTY
1	33-050-322		HITCH BALL, 1 1/2 SHANK	1
2	11-050-007		FLATWASHER, 1 1/2 SPECIAL	3
3	68-030155		CASTLE NUT, 1 1/2-12	1
4	76-010540		COTTER PIN, 3/8 X 3 1/2 PLT	1
*5	33-024-502		SPACER, J.D. 8520 DRAWBAR	1

*OPTIONAL, NOT INCLUDED IN THE ASSEMBLY.

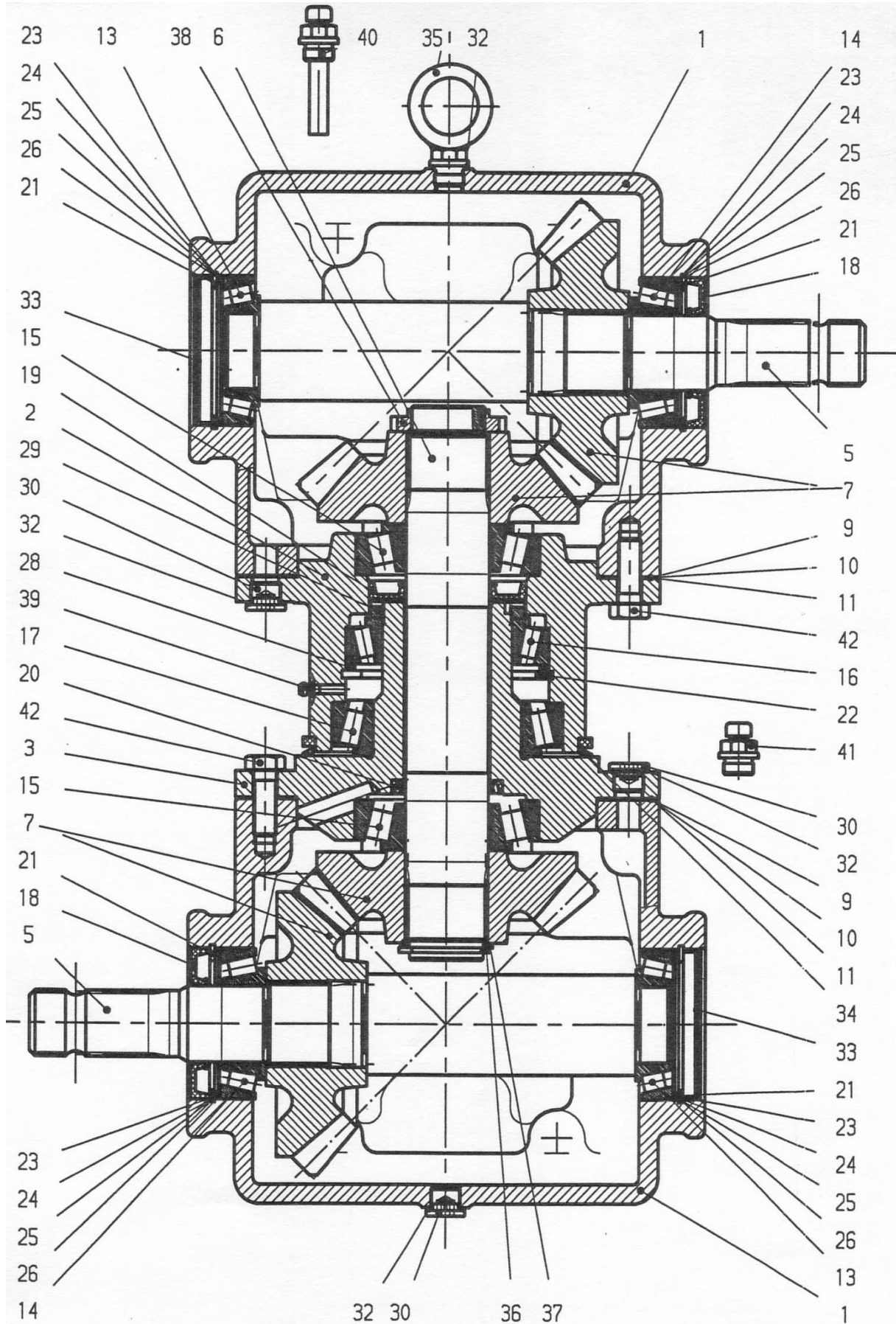
1 3/8 SHANK BALL ASSEMBLY

(33-081-371)

ITEM	PART NO	SERIAL NO OR YR	DESCRIPTION	QTY
1	33-050-324		HITCH BALL, 1 3/8 SHANK	1
2	62-010500		FLATWASHER, 1 1/4 SPECIAL	3
3	68-030132		CASTLE NUT, 1 1/8-12	1
4	76-010540		COTTER PIN, 3/8 X 3 1/2 PLT	1

SWIVEL GEAR BOX

(33-054-054)

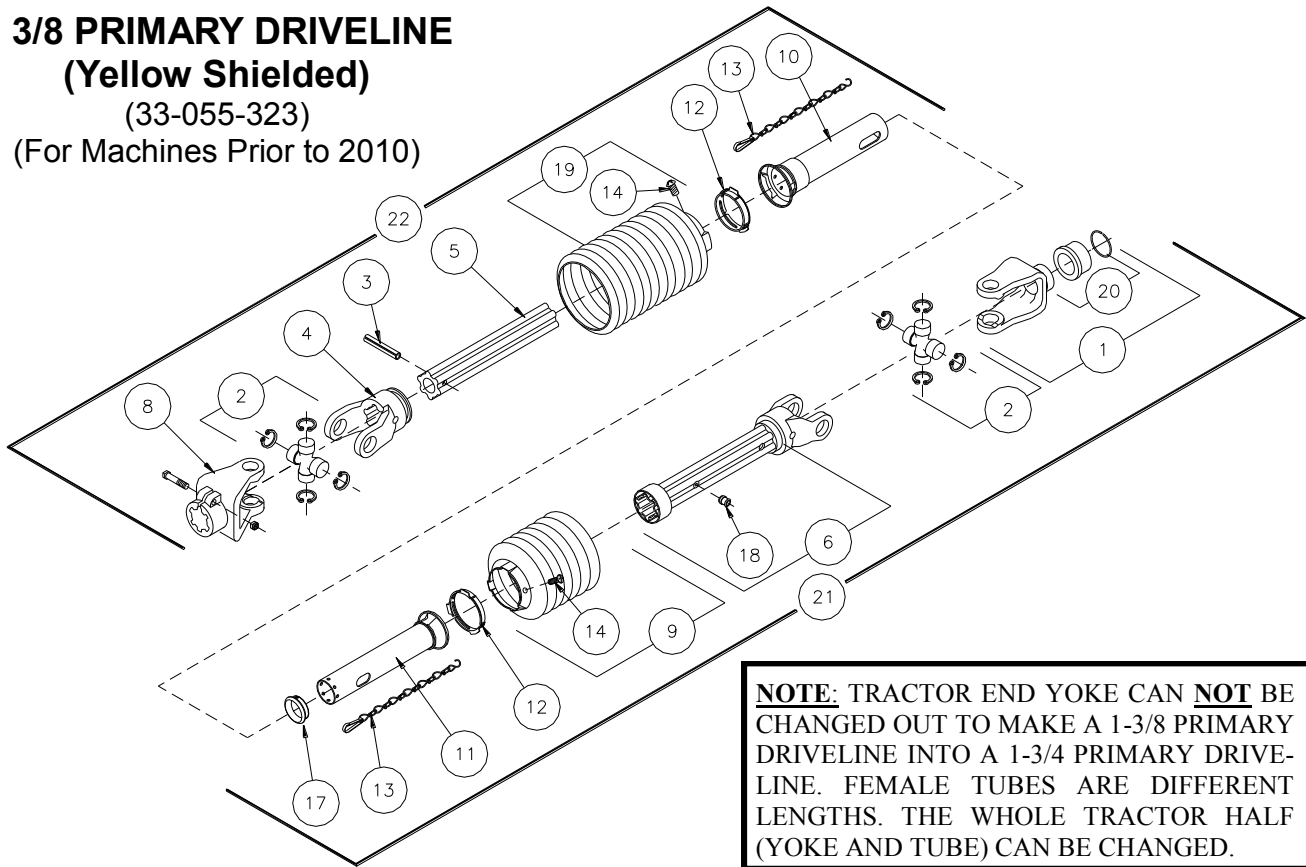


ITEM	PART NO	SERIAL NO OR YR	DESCRIPTION	QTY
1	33-054-067		GEAR CASE	2
2	33-054-068		GEAR CASE HUB OUTSIDE	1
3	33-054-069		GEAR CASE HUB INSIDE	1
5	33-054-070		SHAFT	2
6	33-054-071		SHAFT	1
7	33-054-072		BEVEL GEAR PAIR	2
9	33-054-120		SHIM, 0.19	4
10			SHIM, 0.25	2
11			SHIM, 0.35	2
13	33-054-076		TAPER ROLLER BEARING, 30208A	2
14	33-054-077		TAPER ROLLER BEARING, 32208A	2
15	33-054-078		TAPER ROLLER BEARING, 30309A	2
16	33-054-079		TAPER ROLLER BEARING, 32014XA	1
17	33-054-080		TAPER ROLLER BEARING, 32016X	1
18	33-054-081		RADIAL SEAL, 40X80X10	2
19	33-054-082		RADIAL SEAL, 45X85X10	1
20	33-054-083		RADIAL SEAL, 45X60X7	1
21	33-054-084		INTERNAL CIRCLIP, 80X2.5	4
22	33-054-085		INTERNAL CIRCLIP, 110X4	1
23	33-054-121		SHIM, 72X80X2.0	4
24			SHIM, 72X80X0.5	4
25			SHIM, 72X80X0.3	4
26			SHIM, 72X80X0.1	8
28	33-054-090		SPACER WASHER	1
29	33-054-091		SLOTTED ROUND NUT, M70X2	1
30	33-054-092		HEXAGON HEAD PLUG	9
32	33-054-093		GASKET	10
33	33-054-094		CAP	2
34	33-054-095		V-RING	1
35	33-054-096		FLANGED EYE BOLT	1
36	33-054-097		EXTERNAL CIRCLIP	1
37	33-054-098		SPACER WASHER	1
38	33-054-099		SLOTTED ROUND NUT, M40X1.5	1
39	33-054-100		GREASE NIPPLE	1
40	33-054-055		BREATHER SCREW, LONG	1
41	33-054-056		BREATHER SCREW, SHORT	1
42	33-054-101		HEXAGON HEADED SCREW	12

1 3/8 PRIMARY DRIVELINE (Yellow Shielded)

(33-055-323)

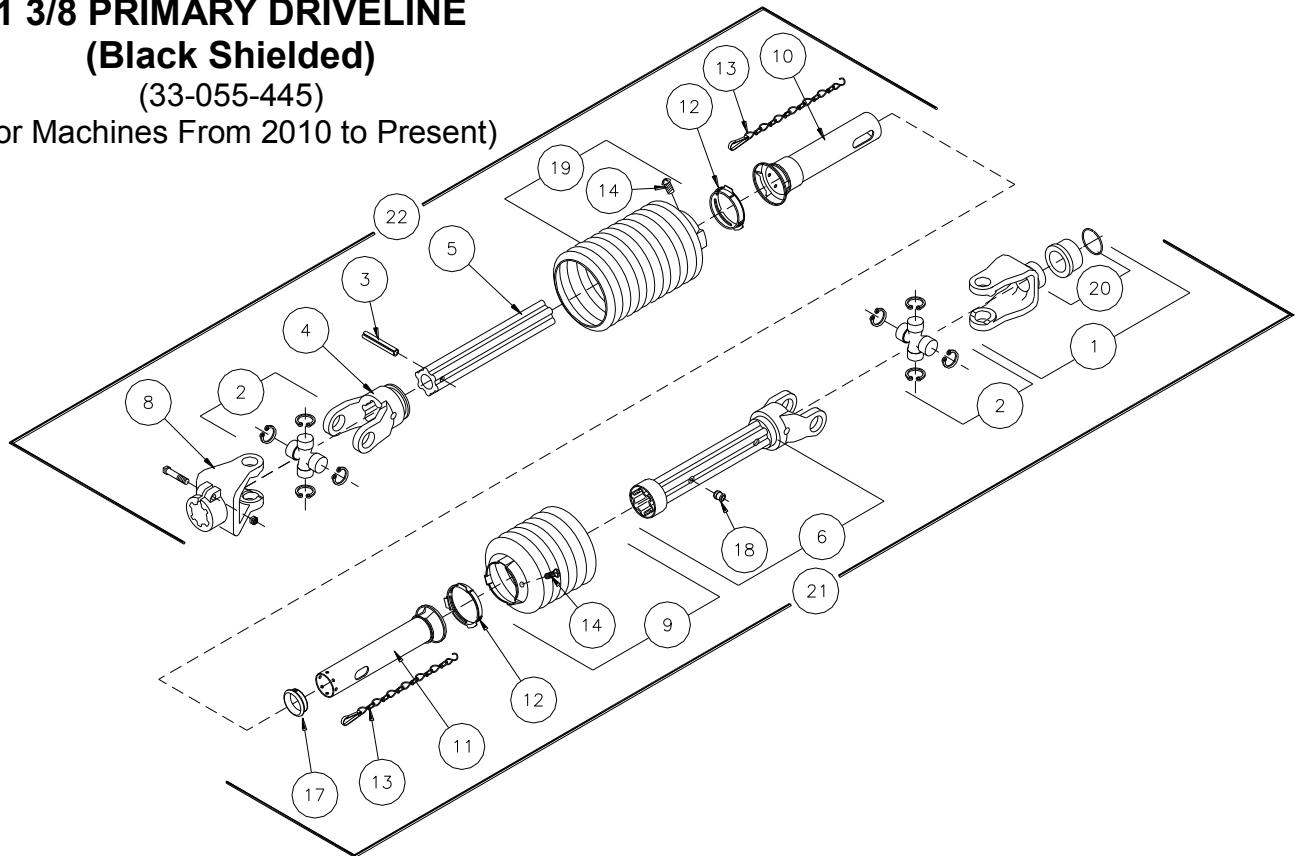
(For Machines Prior to 2010)



NOTE: TRACTOR END YOKE CAN **NOT** BE CHANGED OUT TO MAKE A 1-3/8 PRIMARY DRIVELINE INTO A 1-3/4 PRIMARY DRIVE-LINE. FEMALE TUBES ARE DIFFERENT LENGTHS. THE WHOLE TRACTOR HALF (YOKE AND TUBE) CAN BE CHANGED.

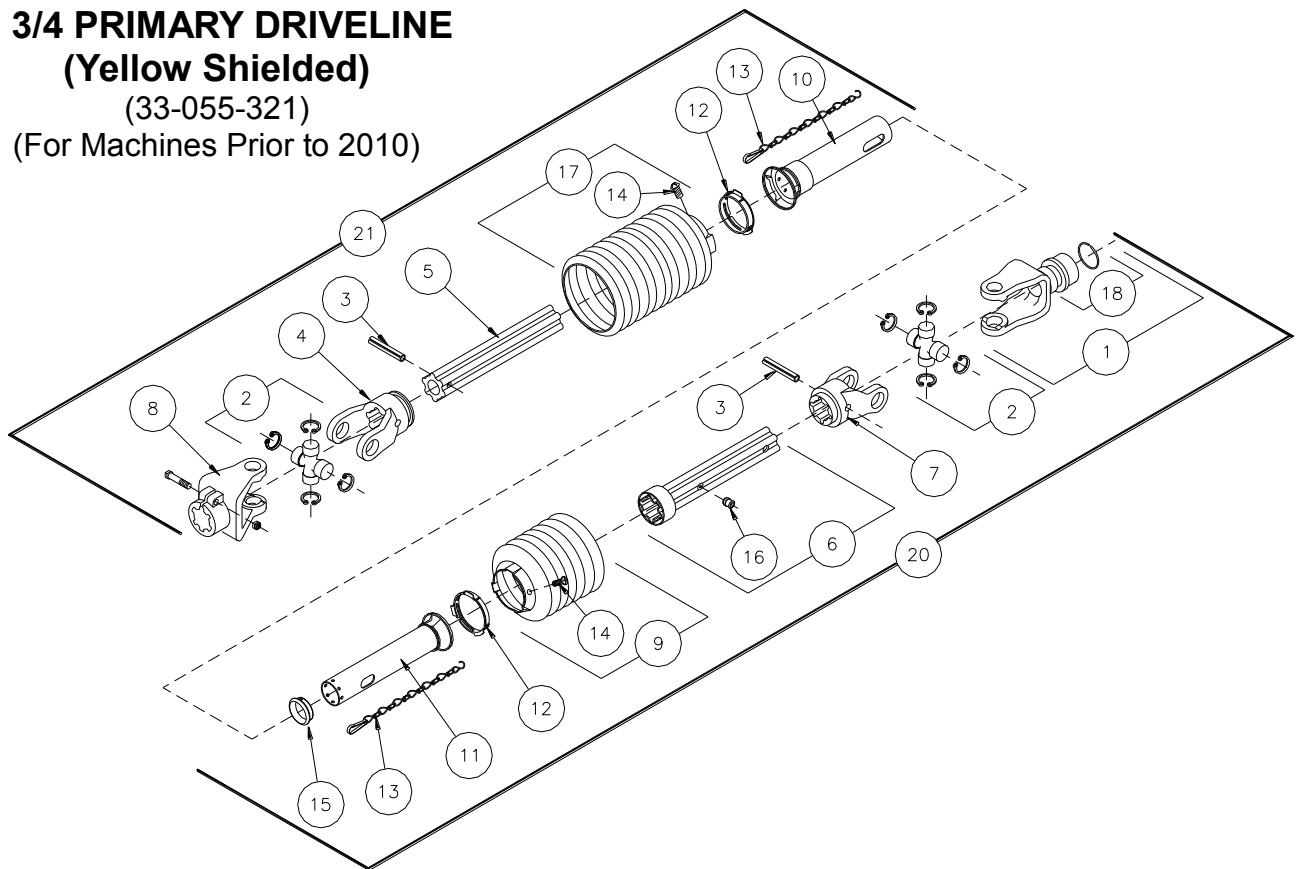
ITEM	PART NO	SERIAL NO OR YR	DESCRIPTION	QTY
1	41-055-017		YOKE, 1 3/8-21 SPL	1
2	33-055-322		CROSS & BEARING KIT	2
3	33-055-072		SPRING PIN, 10 X 90	2
4	41-055-018		INBOARD YOKE S4	1
5	33-055-362		INNER PROFILE S4	1
6	33-055-363		I.B. PROFILE AND SLEEVE W.A.	1
8	33-055-076		YOKE 1 3/8-21 SPL	1
9	33-055-358		SHIELD CONE 7 RIB	1
	33-055-436		REINFORCING COLLAR	-
10	33-055-364		OUTER SHIELD TUBE OVL	1
11	33-055-365		INNER SHIELD TUBE RND	1
12	33-055-078		BEARING RING SC25	2
13	33-055-086		SAFTEY CHAIN	2
14	33-055-084		SCREW	2
17	33-055-085		SUPPORT BEARING	1
18	33-055-089		ZERK	1
19	33-055-355		SHIELD CONE 12 RIB	1
	33-055-436		REINFORCING COLLAR	-
20	33-055-090		ASG COL KIT-IN ITEM 1	1
21	33-055-351		FEMALE HALF SHAFT (TRACTOR)	1
22	33-055-350		MALE HALF SHAFT (IMPLEMENT)	1

**1 3/8 PRIMARY DRIVELINE
(Black Shielded)**
(33-055-445)
(For Machines From 2010 to Present)



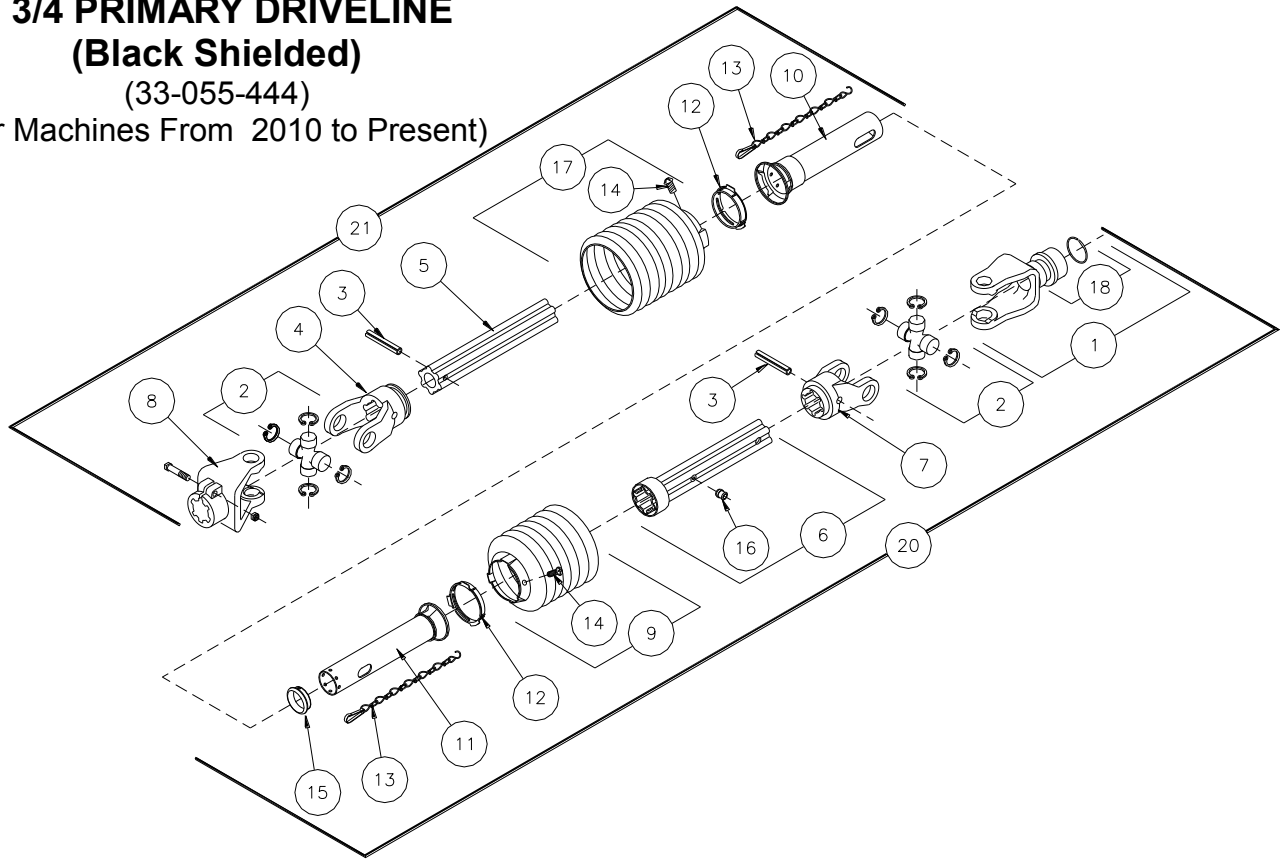
ITEM	PART NO	SERIAL NO OR YR	DESCRIPTION	QTY
1	41-055-017		YOKE, 1 3/8-21 SPL	1
2	33-055-322		CROSS & BEARING KIT	2
3	33-055-072		SPRING PIN, 10 X 90	2
4	41-055-018		INBOARD YOKE S4	1
5	33-055-362		INNER PROFILE S4	1
6	33-055-363		I.B. PROFILE AND SLEEVE W.A.	1
8	33-055-076		YOKE 1 3/8-21 SPL	1
9	33-055-358		SHIELD CONE 7 RIB	1
	33-055-436		REINFORCING COLLAR	-
10	33-055-364		OUTER SHIELD TUBE OVL	1
11	33-055-365		INNER SHIELD TUBE RND	1
12	33-055-078		BEARING RING SC25	2
13	33-055-086		SAFTEY CHAIN	2
14	33-055-084		SCREW	2
17	33-055-085		SUPPORT BEARING	1
18	33-055-089		ZERK	1
19	33-055-446		SHIELD CONE 8 RIB	1
	33-055-436		REINFORCING COLLAR	-
20	33-055-090		ASG COL KIT-IN ITEM 1	1
21	33-055-351		FEMALE HALF SHAFT (TRACTOR)	1
22	33-055-449		MALE HALF SHAFT (IMPLEMENT)	1

**1 3/4 PRIMARY DRIVELINE
(Yellow Shielded)
(33-055-321)
(For Machines Prior to 2010)**



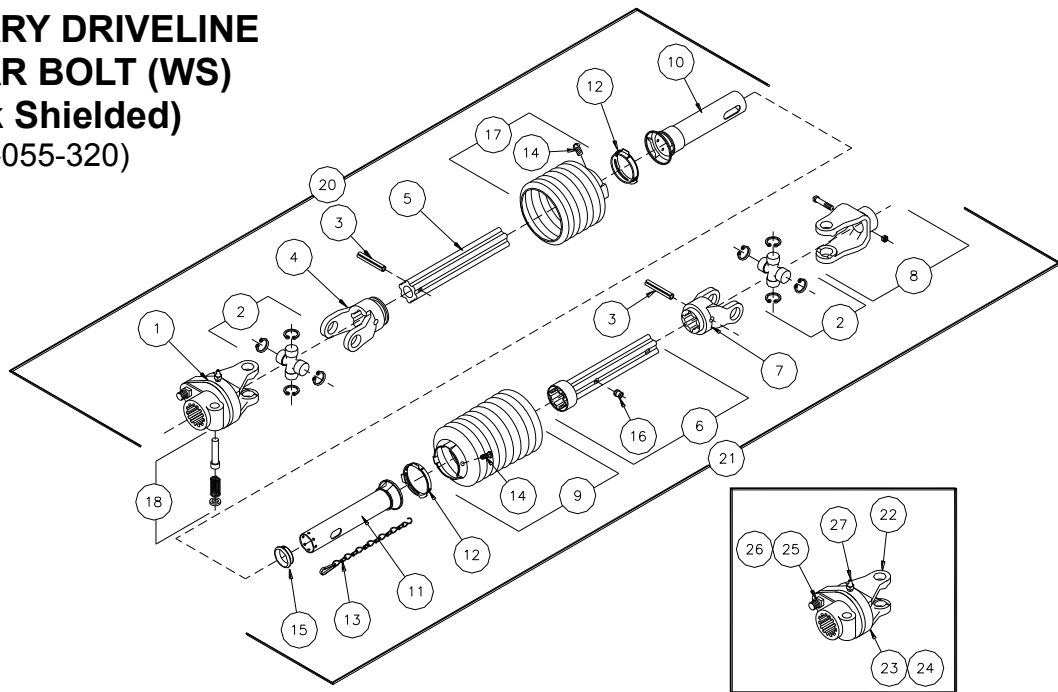
ITEM	PART NO	SERIAL NO OR YR	DESCRIPTION	QTY
1	41-055-024		YOKE, 1 3/4-20 SPL	1
2	33-055-322		CROSS & BEARING KIT	2
3	33-055-072		SPRING PIN, 10 X 90	2
4	41-055-018		INBOARD YOKE S4	1
5	33-055-362		INNER PROFILE S4	1
6	33-055-367		PROFILE AND SLEEVE W.A.	1
7	33-055-075		INBOARD YOKE S5	1
8	33-055-076		YOKE, 1 3/8-21 SPL	1
9	33-055-358		SHIELD CONE 7 RIB	1
	33-055-436		REINFORCING COLLAR	-
10	33-055-364		OUTER SHIELD TUBE OVL	1
11	33-055-368		INNER SHIELD TUBE RND	1
12	33-055-078		BEARING RING SC25	2
13	33-055-086		SAFTEY CHAIN	2
14	33-055-084		SCREW	2
15	33-055-085		SUPPORT BEARING	1
16	33-055-089		ZERK	1
17	33-055-355		SHIELD CONE 12 RIB	1
	33-055-436		REINFORCING COLLAR	-
18	33-055-142		ASG COLLAR	1
20	33-055-349		FEMALE HALF SHAFT (TRACTOR)	1
21	33-055-350		MALE HALF SHAFT (IMPLEMENT)	1

**1 3/4 PRIMARY DRIVELINE
(Black Shielded)**
(33-055-444)
(For Machines From 2010 to Present)

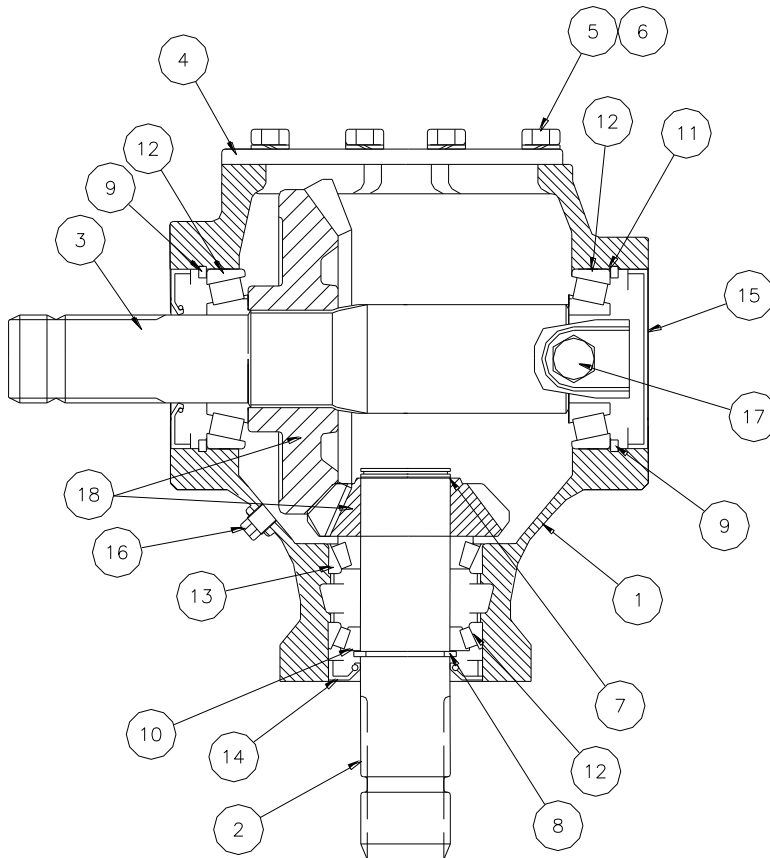


ITEM	PART NO	SERIAL NO OR YR	DESCRIPTION	QTY
1	41-055-024		YOKE, 1 3/4-20 SPL	1
2	33-055-322		CROSS & BEARING KIT	2
3	33-055-072		SPRING PIN, 10 X 90	2
4	41-055-018		INBOARD YOKE S4	1
5	33-055-362		INNER PROFILE S4	1
6	33-055-367		PROFILE AND SLEEVE W.A.	1
7	33-055-075		INBOARD YOKE S5	1
8	33-055-076		YOKE, 1 3/8-21 SPL	1
9	33-055-358		SHIELD CONE 7 RIB	1
	33-055-436		REINFORCING COLLAR	-
10	33-055-364		OUTER SHIELD TUBE OVL	1
11	33-055-368		INNER SHIELD TUBE RND	1
12	33-055-078		BEARING RING SC25	2
13	33-055-086		SAFTEY CHAIN	2
14	33-055-084		SCREW	2
15	33-055-085		SUPPORT BEARING	1
16	33-055-089		ZERK	1
17	33-055-446		SHIELD CONE 8 RIB	1
	33-055-436		REINFORCING COLLAR	-
18	33-055-142		ASG COLLAR	1
20	33-055-349		FEMALE HALF SHAFT (TRACTOR)	1
21	33-055-449		MALE HALF SHAFT (IMPLEMENT)	1

**SECONDARY DRIVELINE
W/ SHEAR BOLT (WS)
(Black Shielded)
(33-055-320)**



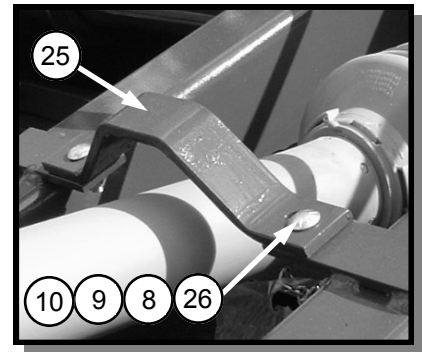
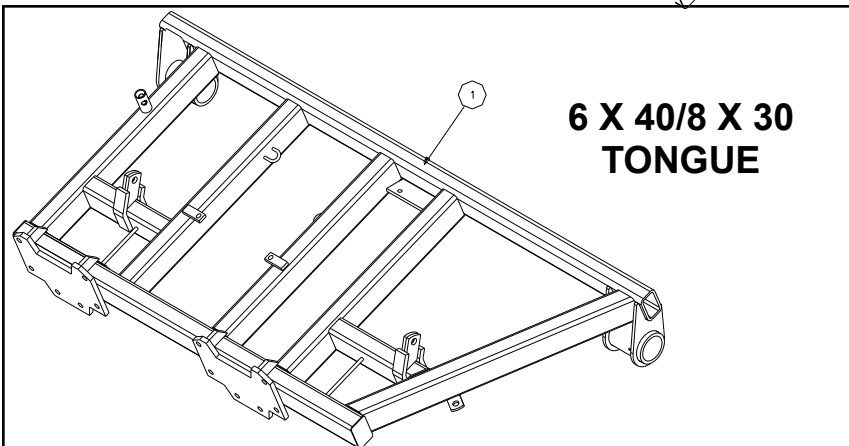
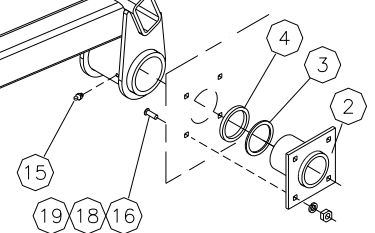
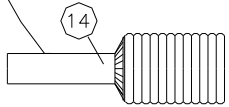
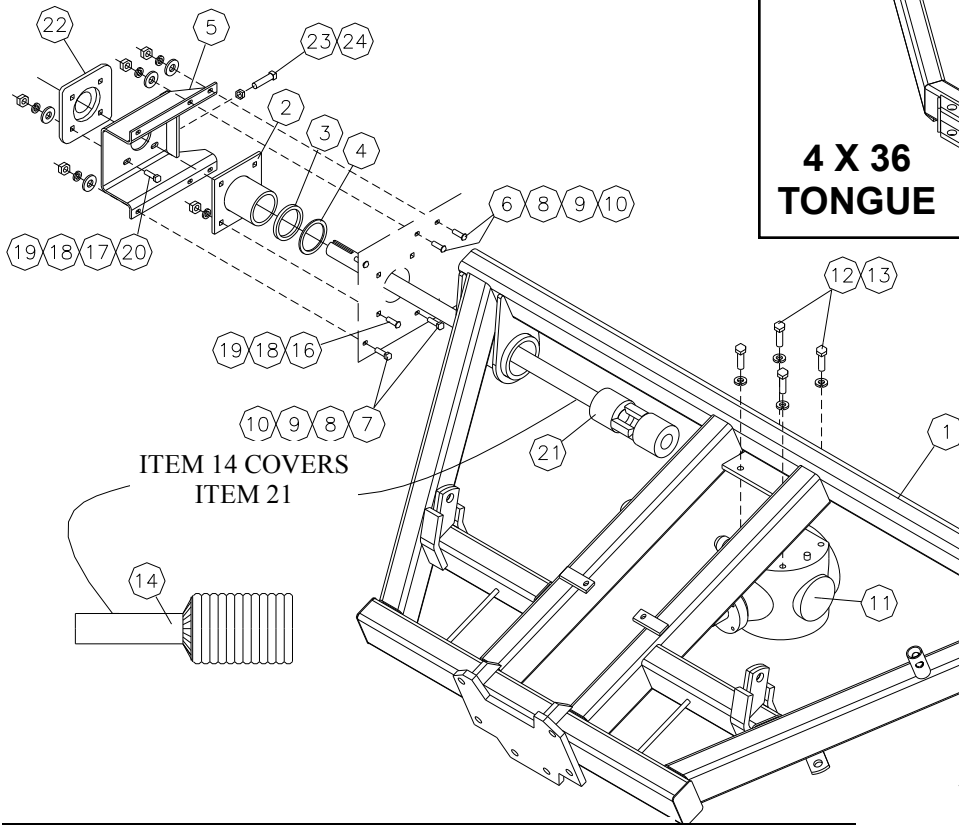
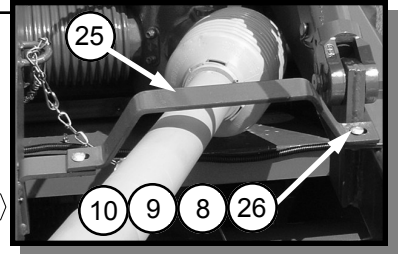
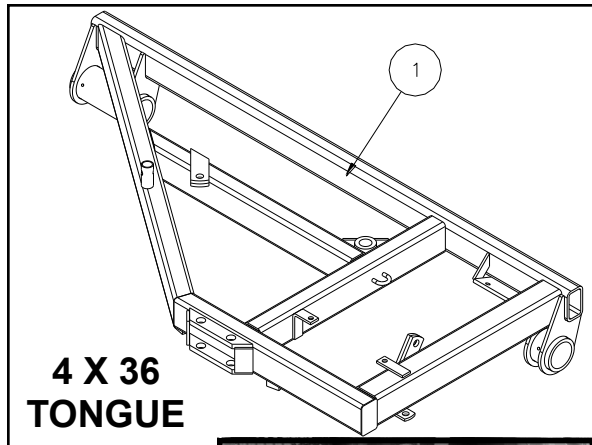
ITEM	PART NO	SERIAL NO OR YR	DESCRIPTION	QTY
1	33-055-402		SHEARBOLT CLUTCH	1
2	33-055-322		CROSS & BEARING KIT	2
3	33-055-072		SPRING PIN, 10 X 90	2
4	41-055-018		INBOARD YOKE S4	1
5	33-055-353		INNER PROFILE S4	1
6	33-055-354		PROFILE AND SLEEVE W.A.	1
7	33-055-075		INBOARD YOKE S5	1
8	33-055-403		YOKE, 1 3/4-20 SPL	1
9	33-055-355		SHIELD CONE 12 RIB	1
10	33-055-356		OUTER SHIELD TUBE OVL	1
11	33-055-357		INNER SHIELD TUBE RND	1
12	33-055-078		BEARING RING SC25	2
13	33-055-086		SAFTEY CHAIN	2
14	33-055-084		SCREW	2
15	33-055-085		SUPPORT BEARING	1
16	33-055-089		ZERK	1
17	33-055-358		SHIELD CONE 7 RIB	1
18	33-055-404		QD PIN KIT	1
19	33-055-405		ASG COLLAR	1
20	33-055-360		MALE HALF SHAFT	1
21	33-055-361		FEMALE HALF SHFT	1
22	33-055-397		YOKE	1
23	33-055-406		HUB	1
24	41-055-016		BALLS	24
25	33-055-400		BOLT, M10X60	1
26	33-055-401		NUT, M10	1
27	33-055-399		ZERK	1



90° GEAR BOX
(33-054-050)

ITEM	PART NO	SERIAL NO OR YR	DESCRIPTION	QTY
1	33-054-057		COVER	1
2	33-054-058		Z SHAFT	1
3	33-054-059		XY SHAFT	1
4	33-054-060		SLEEVE	1
5	33-054-061		SCREW	8
6	33-054-062		WASHER	8
7	33-054-063		CIRCLIP	1
8	33-054-035		SNAP RING	1
9	33-054-036		SNAP RING	2
10	33-054-046		RING	1
11	33-054-047		RING	1
12	33-051-033		TAPERED R BEARING	3
13	33-054-064		TAPERED R BEARING	1
14	33-054-048		OIL SEAL	2
15	33-054-037		CAP	1
16	33-054-065		OIL DRAIN	5
17	33-054-039		OIL PLUG	1
18	33-054-066		BEVEL GEAR SET	1

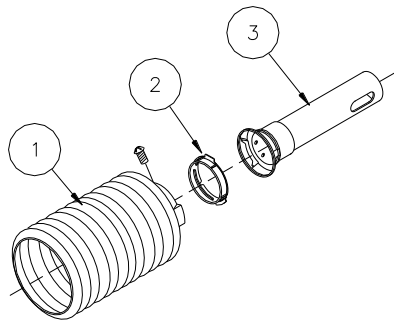
4X36, 4X40, 6x30, 6X36, 6X40, & 8X30 TONGUE



ITEM	PART NO	SERIAL NO OR YR	DESCRIPTION	4 X 36	6 X 30 6 X 36	6 X 40 8 X 30
1	33-070-042		TONGUE, 4R	1	-	-
	33-070-041		TONGUE, 6R	-	1	-
	33-070-094		TONGUE, 6 X40/8X30	-	-	1
2	33-070-069		PIVOT ASSEMBLY	2	2	2
3	33-028-637		TONGUE SHIM, 11 GA	3	3	3
4	33-028-638		TONGUE SHIM, 16 GA	3	3	3
5	33-070-144		BEARING SUPPORT	1	1	1
6	52-050035		CARRIAGE SCREW, 3/8 X 1 G5 PLT	3	3	3

ITEM	PART NO	SERIAL NO OR YR	DESCRIPTION	4 X 36	6 X 30 6 X 36	6 X 40 8 X 30
7	48-090100		CAPSCREW, 3/8 X 1 G5 PLT	3	3	3
8	62-010100		FLATWASHER, 3/8 STD	8	8	8
9	66-010150		LOCKWASHER, 3/8 PLT	8	8	8
10	68-010150		HEX NUT, 3/8 PLT	8	8	8
11	33-054-050		GEARBOX, 90° B&P	1	1	1
12	48-090930		CAPSCREW, 5/8 X 1 1/2 G5 PLT	4	4	4
13	66-010300		LOCKWASHER, 5/8 PLT	4	4	4
14	33-055-341		SHIELD, DRIVELINE WS 4R	1	-	-
	33-055-338		SHIELD, DRIVELINE WS 6R	-	1	1
15	02-050-005		GREASE FITTING, 1/4-28 STRT	2	2	2
16	52-050125		CARRIAGE SCREW, 1/2 X 1 1/4 G5	8	8	8
17	62-010200		FLATWASHER, 1/2 PLT	4	4	4
18	66-010250		LOCKWASHER, 1/2 PLT	12	12	12
19	68-010250		HEX NUT, 1/2 PLT	12	12	12
20	48-090596		CAPSCREW, 1/2 X 1 3/4	4	4	4
21	33-070-104		SHAFT, 4R OUTPUT	1	-	-
	33-070-073		SHAFT, 6R OUTPUT	-	1	-
	33-070-096		SHAFT, 6 X 40 OUTPUT	-	-	1
22	33-051-022		BEARING, OUTPUT SHAFT	1	1	1
23	54-010175		SETSCREW, 3/8 X 2 1/2 SQ HD	1	1	1
24	70-010051		JAM NUT, 3/8	1	1	1
25	33-033-108		SAFETY STRAP, 4R	1	-	-
	33-033-107		SAFETY STRAP, 6R	-	1	-
	33-033-106		SAFETY STRAP, 6X40/8X30	-	-	1
26	48-090150		CAPSCREW, 3/8 X 1 1/4	2	2	2

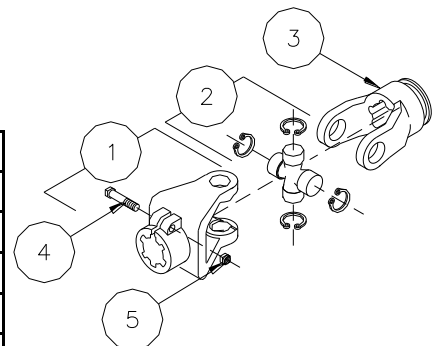
OUTER SHIELD GUARD
(33-055-338) & (33-055-341) ITEM 14



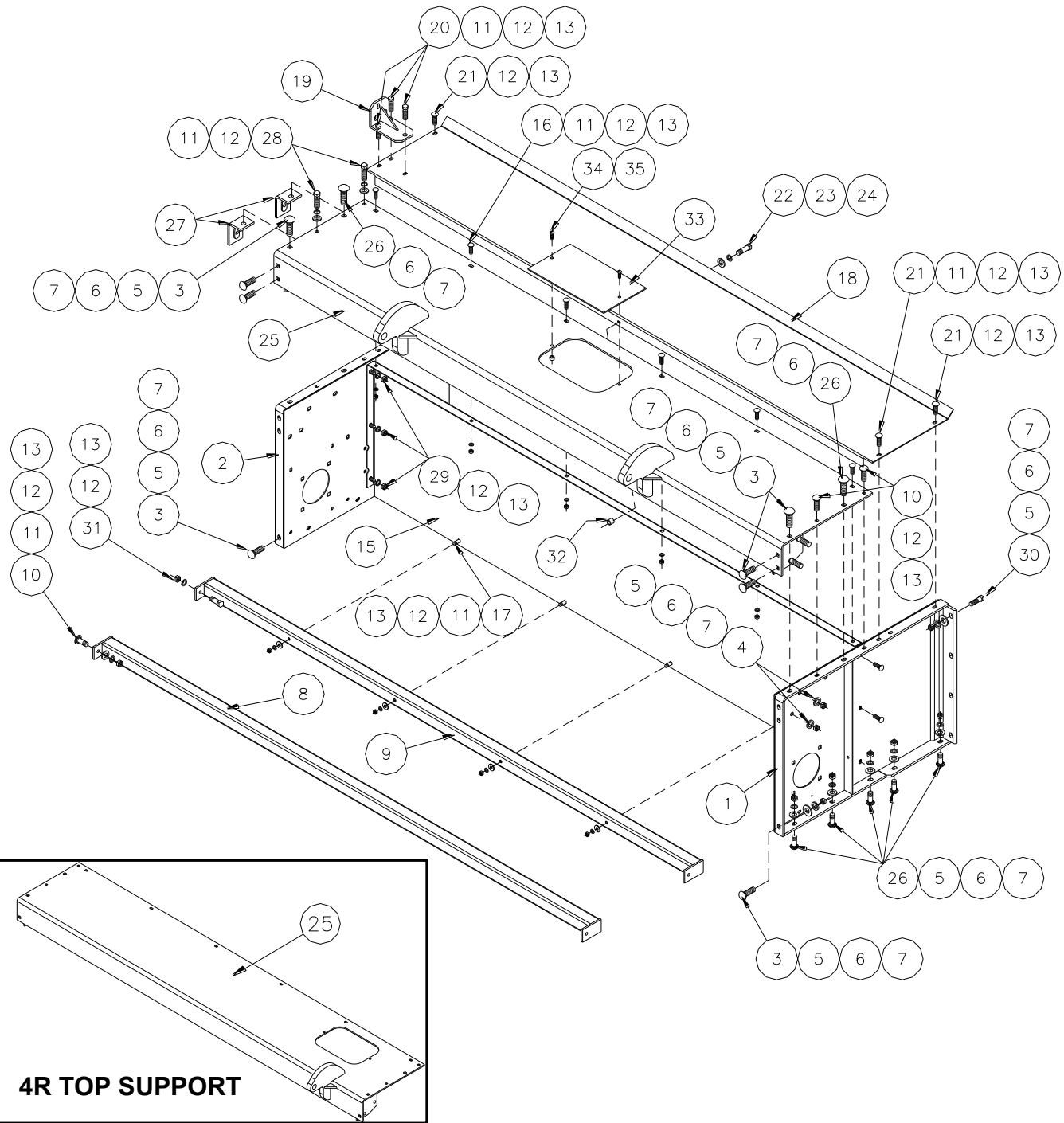
ITEM	PART NO	SERIAL NO OR YR	DESCRIPTION	-338	-341
1	33-055-366		SHIELD CONE 12 RIB	1	1
2	33-055-078		BEARING RING	1	1
3	33-055-372		OUTER SHIELD TUBE	1	-
	33-055-369		OUTER SHIELD TUBE	-	1

JOINT ASSY FOR ITEM 21
(33-055-339)

ITEM	PART NO	SERIAL NO OR YR	DESCRIPTION	QTY
1	33-055-373		YOKE, 1 3/4-20 SPL	1
2	33-055-322		CROSS & BEARING KIT	1
3	33-055-374		YOKE, Ø41.28RB	1
4	33-055-375		BOLT, M16	1
5	41-055-027		NUT, M16	1



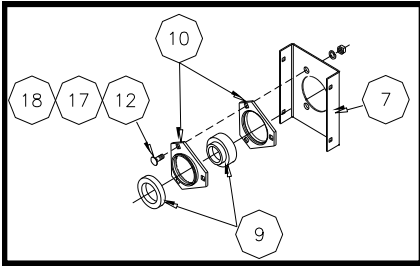
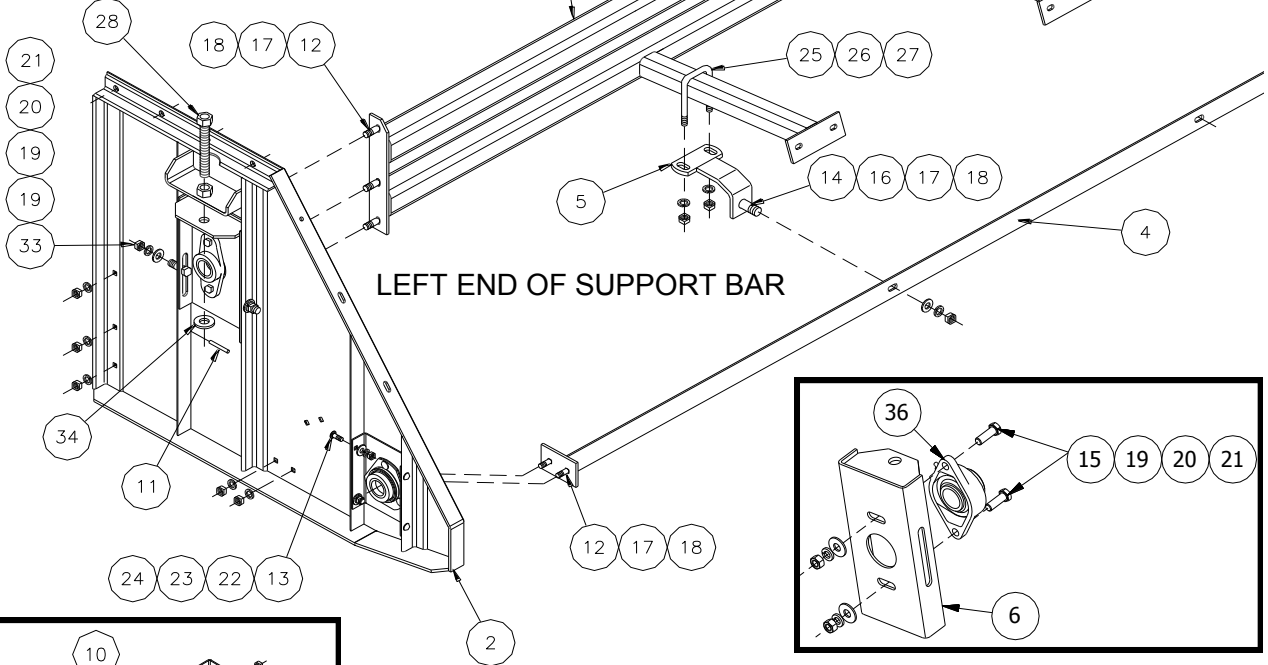
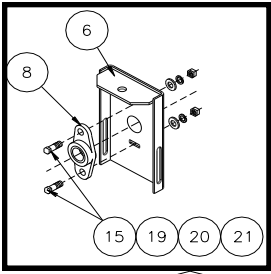
4x36, 4X40, 6x30, 6x36, & 6x40/8x30 UPPER HEADER



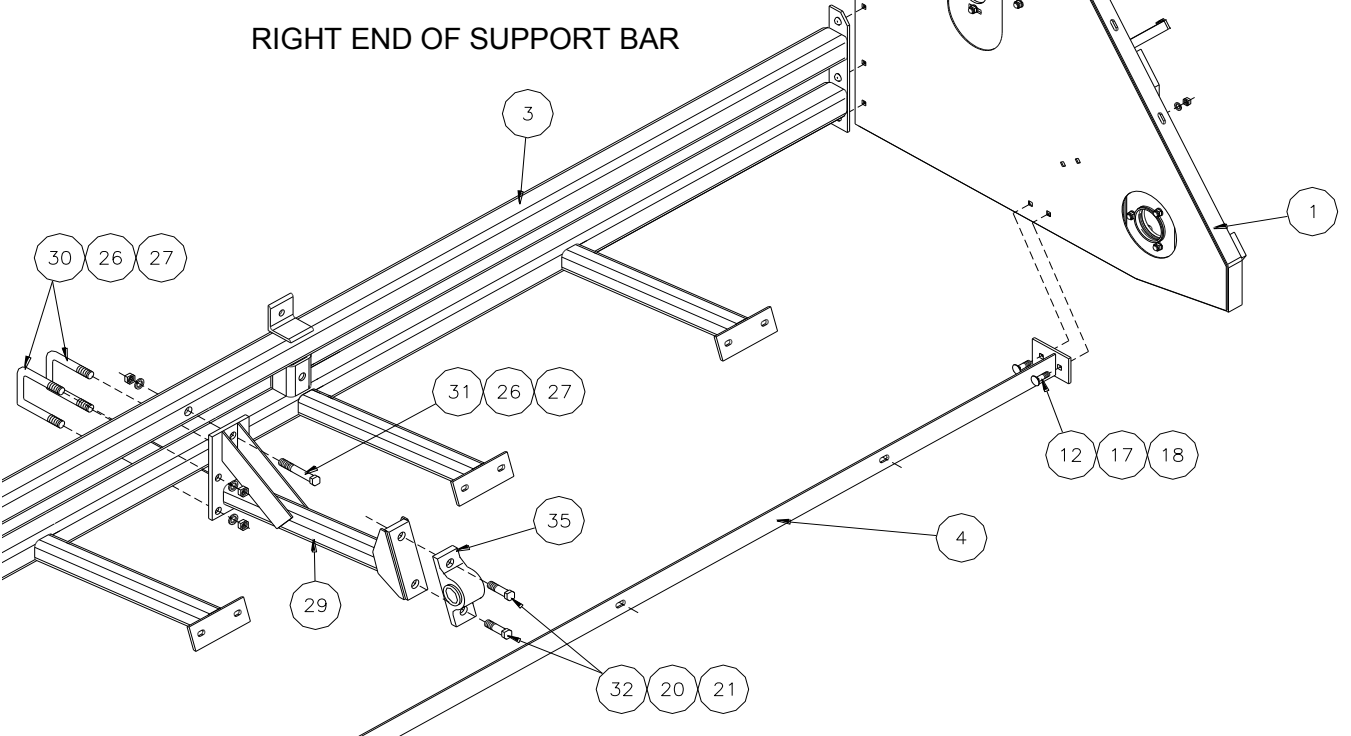
ITEM	PART NO	SERIAL NO OR YR	DESCRIPTION	4X36 4X40	6X30 6X36	6X40 8X30
1	33-070-257		SUPPORT, LT TONGUE	1	1	1
2	33-070-256		SUPPORT, RT TONGUE	1	1	1
3	52-050140		CARRIAGE SCREW, 1/2 X 1 1/2	7	7	7
4	48-090592		CAPSCREW, 1/2 X 1 1/4 G5 PLT	8	8	8

ITEM	PART NO	SERIAL NO OR YR	DESCRIPTION	4X36 4X40	6X30 6X36	6X40 8X30
5	62-010200		FLATWASHER, 1/2 PLT	20	20	20
6	66-010250		LOCKWASHER, 1/2 PLT	30	30	30
7	68-010250		HEX NUT, 1/2 PLT	30	30	30
8	33-080-941		SUPPORT, FRONT BULKHEAD	-	1	1
9	33-080-648		SUPPORT, REAR BULKHEAD	1	1	1
10	52-050040		CARR SCREW, 3/8 X 1 1/4 G5 PLT	2	4	4
11	62-010100		FLATWASHER, 3/8 PLT	8	12	12
12	66-010150		LOCKWASHER, 3/8 PLT	25	29	29
13	68-010150		HEX NUT, 3/8 PLT	25	27	27
15	33-028-808		BULKHEAD	1	1	1
16	52-050035		CARRIAGE SCREW, 3/8 X 1 G5 P	6	6	6
17	52-050100		CARRIAGE SCREW, 3/8 X 5 G5 P	4	4	4
18	33-070-159		COVER, #1 CYLINDER	1	1	1
19	33-070-165		BRACKET, HINGE MOUNTING	1	1	1
20	48-090150		CAPSCREW, 3/8 X 1 1/4 G5 PLT	3	3	3
21	52-050035		CARRIAGE SCREW 3/8 X 1 G5 P	3	3	3
22	48-090015		CAPSCREW, 1/4 X 1 G5 PLT	1	1	1
23	66-010050		LOCKWASHER, 1/4	1	1	1
24	62-010010		FLATWASHER, 1/4	1	1	1
25	33-070-103		SUPPORT, TOP 4R	1	-	-
	33-070-070		SUPPORT, TOP 6R	-	1	-
	33-070-095		TOP SUPPORT, 6 X 40/8 X 30	-	-	1
26	52-050125		CARRIAGE SCREW, 1/2 X 1 1/4	12	12	12
27	33-080-205		BRACKET, PIPE CLAMP	2	2	2
28	48-090150		CAPSCREW, 3/8 X 1 1/4	2	2	2
29	52-050035		CARRIAGE SCREW, 3/8 X 1	6	6	6
30	48-090596		CAPSCREW, 1/2 X 1 3/4	8	8	8
31	48-090150		CAPSCREW, 3/8 X 1 1/4 G5 PLT	2	2	2
32	33-050-271		NUTSERT, 1/4-20	1	1	1
33	33-028-304		COVER, INSPECTION (14 X 9 1/2)	1	1	1

**4x36, 4x40, 6x30, 6x36 & 6x40/8x30
LT & RT FENDERS & SUPPORT BAR**

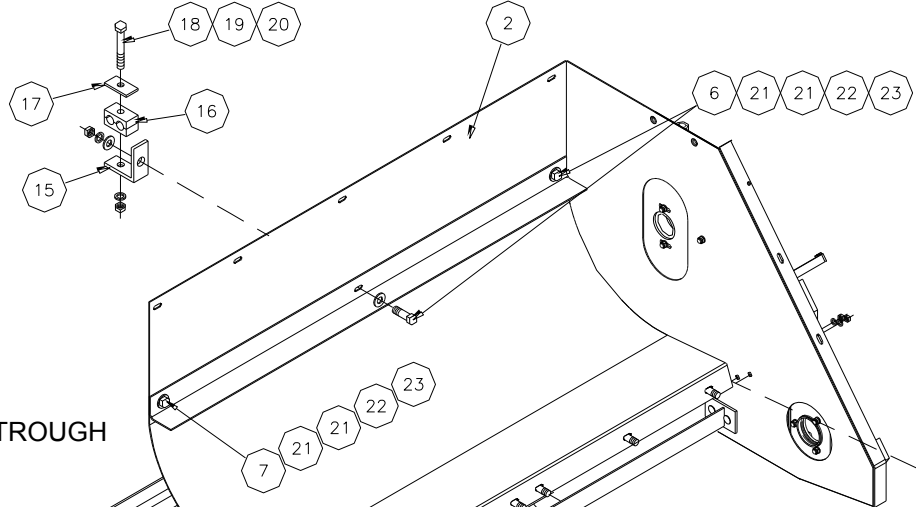
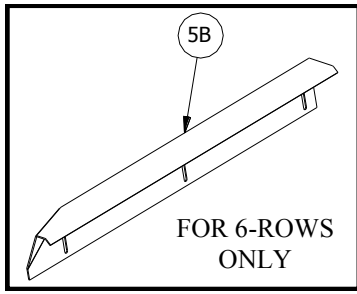


RIGHT END OF SUPPORT BAR

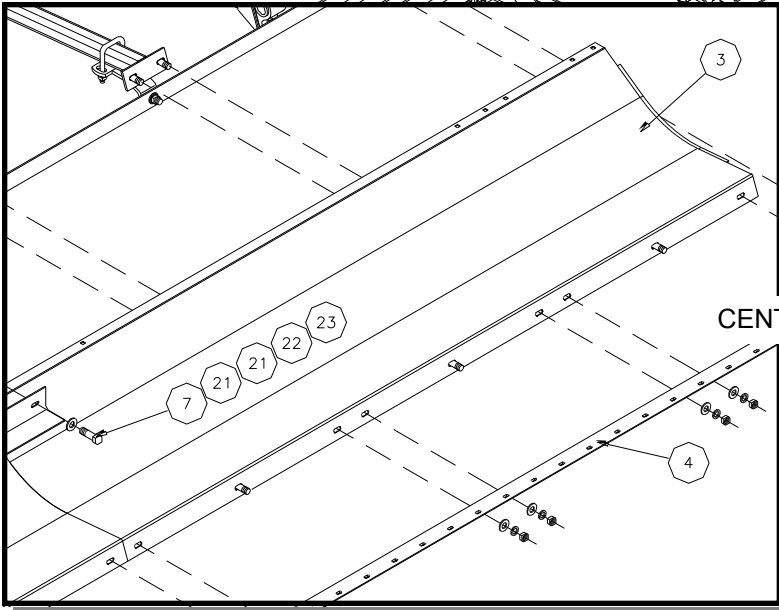
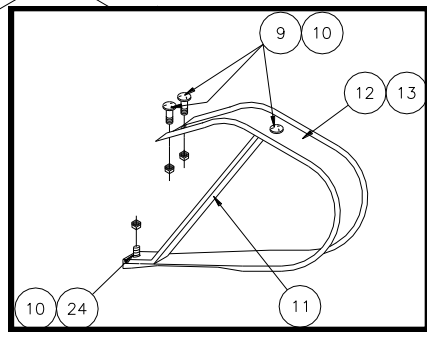


ITEM	PART NO	SERIAL NO OR YR	DESCRIPTION	4X36	4X40	6X30	6X36	6X40 8X30
1	33-080-567		FENDER, LT	1	1	1	1	1
2	33-080-568		FENDER, RT	1	1	1	1	1
3	33-080-938		BAR, SUPPORT	1	-	-	-	-
	33-080-912		BAR, SUPPORT	-	1	-	-	-
	33-070-027		BAR, SUPPORT	-	-	1	-	-
	33-080-939		BAR, SUPPORT	-	-	-	1	-
	33-080-959		BAR SUPPORT	-	-	-	-	1
4	33-080-369		SUPPORT, LOWER BAND	1	-	-	-	-
	33-080-910		SUPPORT, LOWER BAND	-	1	-	-	-
	33-070-025		SUPPORT, LOWER BAND	-	-	1	-	-
	33-080-605		SUPPORT, LOWER BAND	-	-	-	1	-
	33-080-966		SUPPORT, LOWER BAND	-	-	-	-	1
5	33-080-428		BRACE, LOWER	4	4	4	6	6
6	33-080-529		SUPPORT, AUGER BEARING	2	2	2	2	2
7	33-027-615		SUPPORT, PICK-UP BEARING	2	2	2	2	2
8	33-051-021	(1993-2004)	BEARING, 1 1/4 PILLOW W/COLLAR	(2)	(2)	(2)	(2)	(2)
	33-051-021	(2005-)	BEARING, 1 1/4 PILLOW W/COLLAR	1	1	1	1	1
9	03-051-016		BEARING, 1 1/4 W/COLLAR	2	2	2	2	2
10	03-051-024		FLANGE, #72 3-HOLE	4	4	4	4	4
11	15-050-054		ROLL PIN, 1/4 X 1 3/4	2	2	2	2	2
12	52-050040		CARRIAGE SCREW, 3/8 X 1 1/4 G5	16	16	16	16	16
13	52-050010		CARRIAGE SCREW, 5/16 X 1 G5	8	8	8	8	8
14	48-090150		CAPSCREW, 3/8 X 1 1/4 G5 PLT	4	4	4	6	6
15	48-090595		CAPSCREW, 1/2 X 1 1/2 G5 PLT	4	4	4	4	4
16	62-010100		FLATWASHER, 3/8 PLT	4	4	4	6	6
17	66-010150		LOCKWASHER, 3/8 PLT	20	20	20	22	22
18	68-010150		HEX NUT, 3/8 PLT	20	20	20	22	22
19	62-010200		FLATWASHER, 1/2 PLT	12	12	12	12	12
20	66-010250		LOCKWASHER, 1/2 PLT	12	12	12	12	12
21	68-010250		HEX NUT, 1/2 PLT	12	12	12	12	12
22	62-010050		FLATWASHER, 5/16 PLT	8	8	8	8	8
23	66-010100		LOCKWASHER, 5/16 PLT	8	8	8	8	8
24	68-010100		HEX NUT, 5/16 PLT	8	8	8	8	8
25	21-050-001		"U"-BOLT, 5/8 X 2 11/16 X 3 5/16	4	4	4	6	6
26	66-010300		LOCKWASHER, 5/8 PLT	12	12	18	22	22
27	68-010300		HEX NUT, 5/8 PLT	12	12	18	22	22
28	33-080-474		ROD, 3/4 ADJUSTMENT	2	2	2	2	2
29	33-080-484		BRACE, PICK-UP	1	1	2	2	2
30	16-050-001		"U"-BOLT, 5/8 X 3 3/16 X 3 13/16	2	2	4	4	4
31	48-091060		CAPSCREW, 5/8 X 4 G5 PLT	1	1	2	2	2
32	48-090600		CAPSCREW, 1/2 X 2 G5 PLT	2	2	4	4	4
33	48-090592		CAPSCREW, 1/2 X 1 1/4 G5 PLT	4	4	4	4	4
34	62-010300		FLATWASHER, 3/4 PLT	2	2	2	2	2
35	33-051-035		BEARING, 1 1/4 PILLOW	1	1	2	2	2
	03-051-016		REPLACEMENT BEARING	-	-	-	-	-
36	33-051-079	(2005-)	BEARING, 1 7/16 PILLOW W/C	1	1	1	1	1

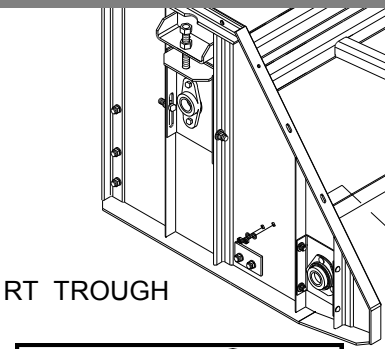
4X36, 4x40, 6X30, 6X36 & 6X40/8X30 LEFT, RIGHT & CENTER TROUGHS



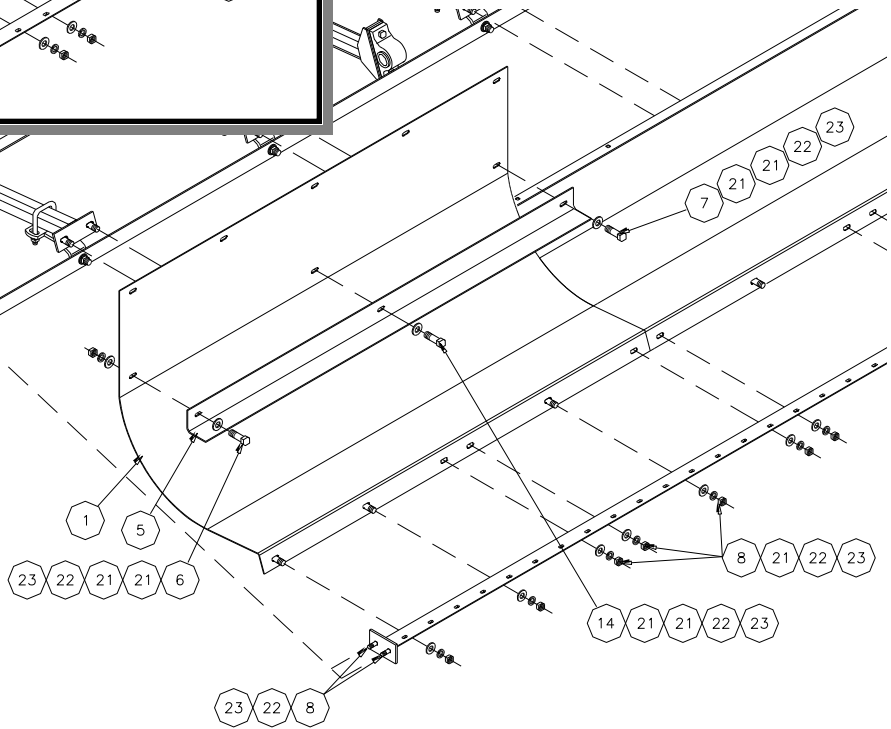
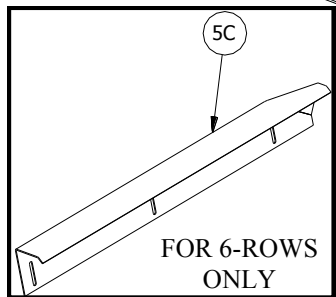
LT TROUGH



CENTER TROUGH

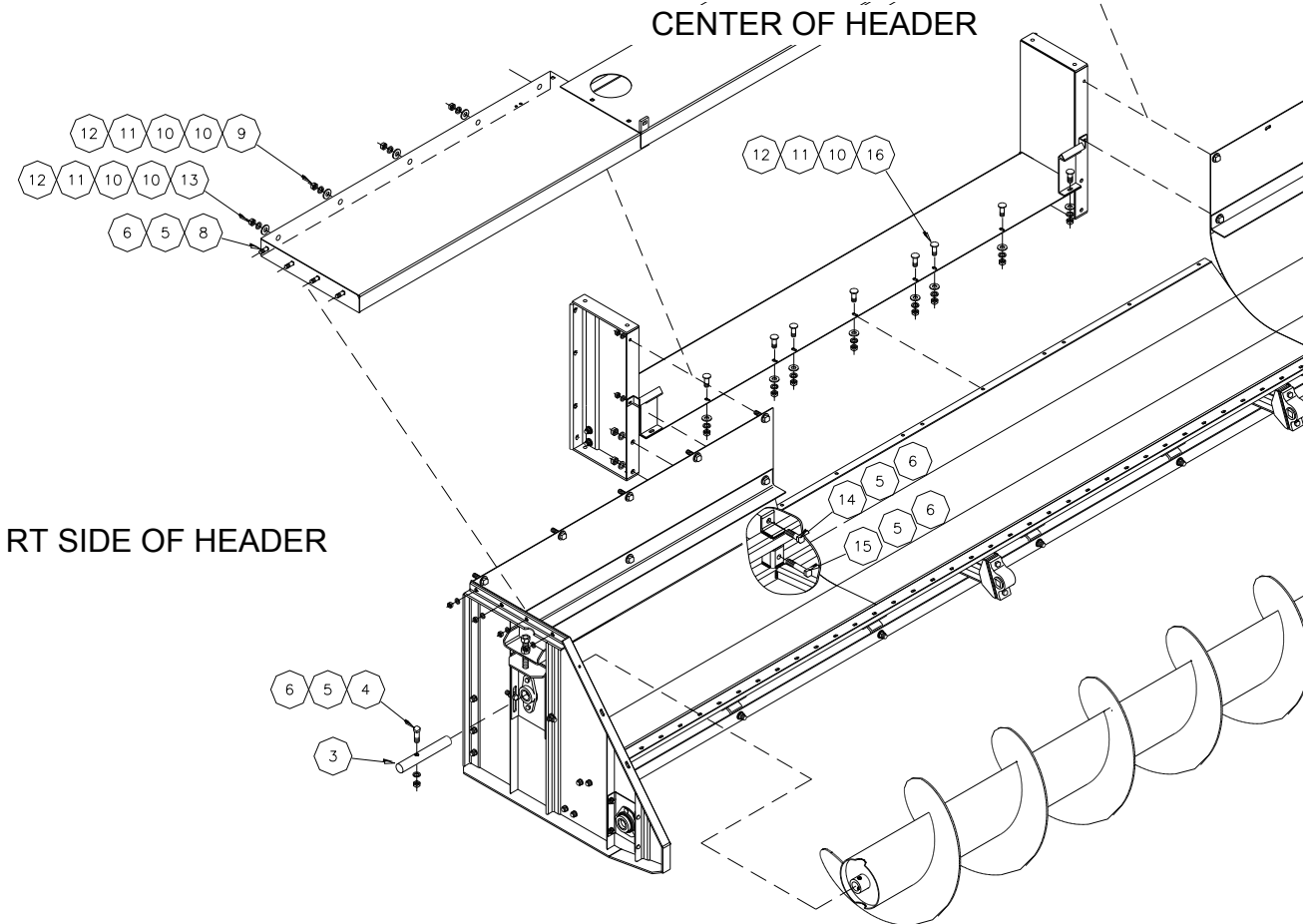
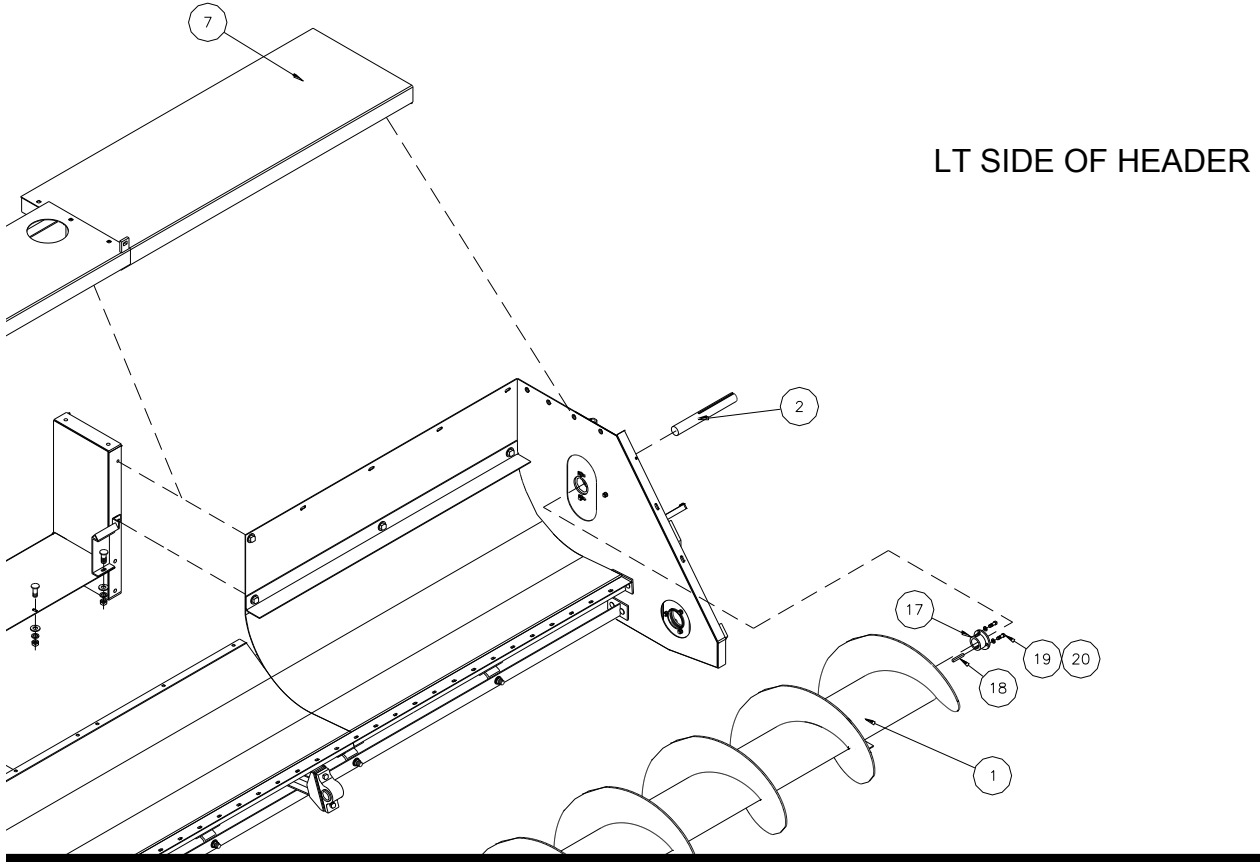


RT TROUGH



ITEM	PART NO	SERIAL NO OR YR	DESCRIPTION	4X36	4X40	6X30	6X36	6X40 8X30
1	33-028-186		SHEET, LT AUGER END	1	-	-	-	-
	33-028-359		TROUGH, LT AUGER END	-	1	-	-	-
	33-028-519		TROUGH, LT END	-	-	1	-	-
	33-027-838		SHEET, LT AUGER END	-	-	-	1	-
	33-028-411		TROUGH, LT AUGER END	-	-	-	-	1
2	33-028-187		SHEET, RT AUGER END	1	-	-	-	-
	33-028-360		TROUGH, RT AUGER END	-	1	-	-	-
	33-028-520		TROUGH, RT END	-	-	1	-	-
	33-027-839		SHEET, RT AUGER END	-	-	-	1	-
	33-028-412		TROUGH, RT AUGER END	-	-	-	-	1
3	33-080-570		TROUGH, CENTER	1	1	1	1	1
4	33-080-368		SUPPORT, UPPER BAND	1	-	-	-	-
	33-080-911		SUPPORT, UPPER BAND	-	1	-	-	-
	33-070-022		SUPPORT, UPPER BAND	-	-	1	-	-
	33-080-606		SUPPORT, UPPER BAND	-	-	-	1	-
	33-080-965		SUPPORT, UPPER BAND	-	-	-	-	1
5A	33-028-188		ANGLE, RECIRCULATION	2	-	-	-	-
	33-028-361		ANGLE, RECIRCULATION	-	2	-	-	-
	33-028-518	(-2010)	ANGLE, RECIRCULATION	-	-	(2)	-	-
	33-027-886	(-2010)	ANGLE, RECIRCULATION	-	-	-	(2)	-
	33-028-413	(-2010)	ANGLE, RECIRCULATION	-	-	-	-	(2)
5B	33-070-395	(2011-)	BAFFLE, 6-30 LT RECIRCULATING	-	-	1	-	-
	33-070-392	(2011-)	BAFFLE, 6-36 LT RECIRCULATING	-	-	-	1	-
	33-070-397	(2011-)	BAFFLE, 6-40 LT RECIRCULATING	-	-	-	-	1
5C	33-070-394	(2011-)	BAFFLE, 6-30 RT RECIRCULATING	-	-	1	-	-
	33-070-393	(2011-)	BAFFLE, 6-36 RT RECIRCULATING	-	-	-	1	-
	33-070-396	(2011-)	BAFFLE, 6-40 RT RECIRCULATING	-	-	-	-	1
6	48-090150		CAPSCREW, 3/8 X 1 1/4 G5 P	3	3	3	3	3
7	48-090170		CAPSCREW, 3/8 X 1 1/2 G5 P	2	2	2	2	2
8	52-050040		CARRIAGE SCREW, 3/8 X 1 1/4	20	19	19	25	25
9	52-050010		CARRIAGE SCREW, 5/16 X 1	99	111	129	159	171
10	78-020049		LOCKNUT, 5/16 WHIZ FLANGE	132	148	172	212	228
11	33-023-890		BRACE BAND	33	37	43	53	57
12	33-027-525		BAND, PICK-UP	32	36	41	51	55
13	33-027-764		BAND, CENTER PICK-UP	1	1	2	2	2
14	48-090100		CAPSCREW, 3/8 X 1 G5 PLT	-	1	2	2	3
15	33-023-666		BRACE, HOSE CLAMP	-	-	1	1	1
16	33-050-246		CLAMP, HOSE	-	-	1	1	1
17	33-050-160		PLATE, COVER	-	-	1	1	1
18	48-090050		CAPSCREW, 5/16 X 2 1/2 G5 P	-	-	1	1	1
19	66-010100		LOCKWASHER, 5/16 PLT	-	-	1	1	1
20	68-010100		HEX NUT, 5/16 PLT	-	-	1	1	1
21	62-010100		FLATWASHER, 3/8 PLT	27	27	31	37	43
22	66-010150		LOCKWASHER, 3/8 PLT	24	24	27	33	36
23	68-010150		HEX NUT, 3/8 PLT	24	24	27	33	36
24	52-050019		CARRIAGE SCREW, 5/16 X 1 1/4	33	37	43	53	57

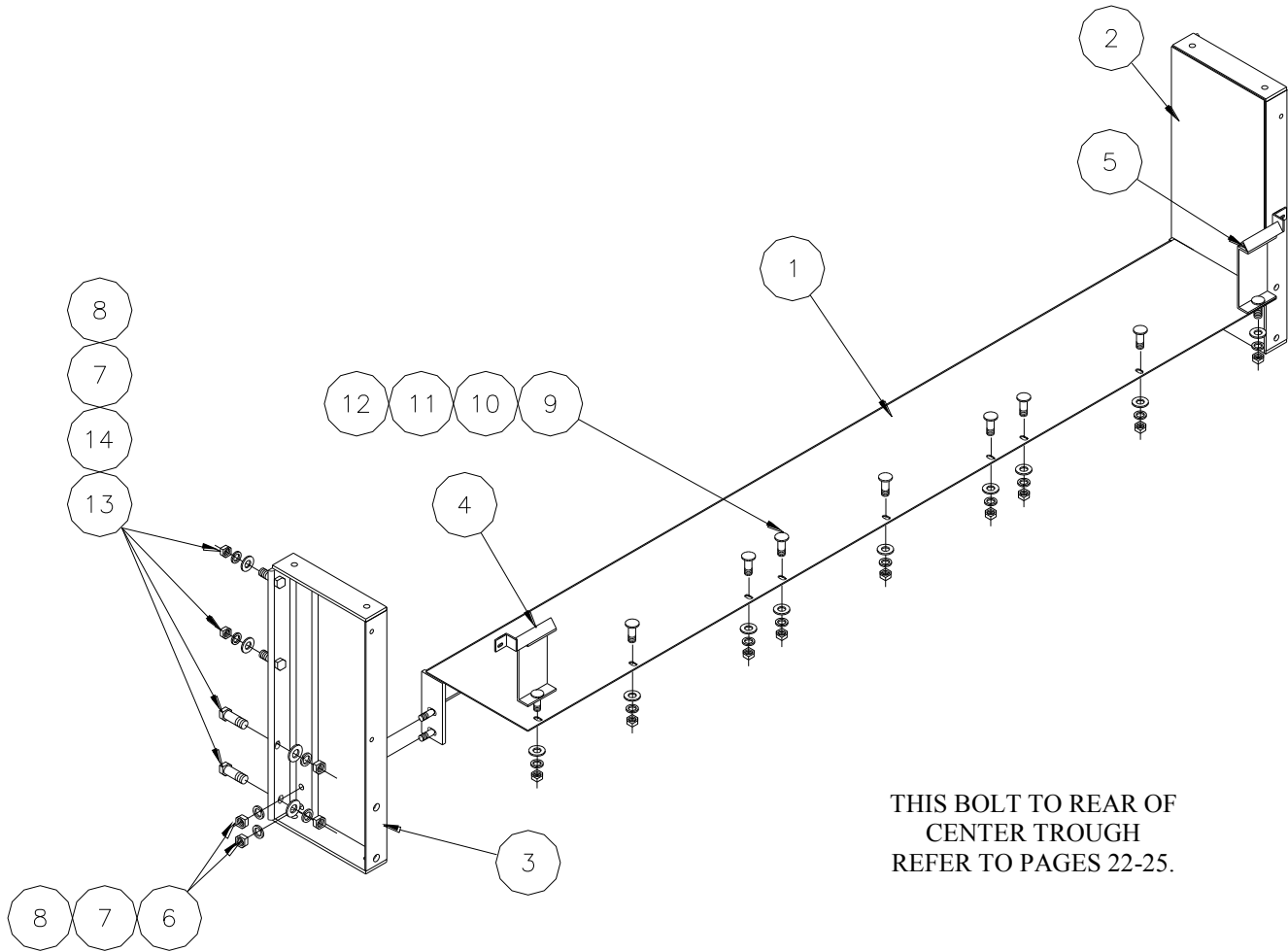
4R & 6R HEADER TIE & AUGER



ITEM	PART NO	SERIAL NO OR YR	DESCRIPTION	4X36	4X40	6X30	6X36	6X40 8X30
1	33-080-804		AUGER, 4 X 36	1		-	-	-
	33-080-915		AUGER, 4 X 40	-	1	-	-	-
	33-070-024		AUGER, 6 X 30	-	-	1	-	-
	33-080-642		AUGER, 6 X 36	-	-	-	1	-
	33-080-957		AUGER, 6X40/8 X 30	-	-	-	-	1
2	33-026-158	(1993-2004)	STUB SHAFT, AUGER W/KEYWAY	(1)	(1)	(1)	(1)	(1)
	33-026-321	(2005-)	SHAFT, AUGER DRIVE	1	1	1	1	1
3	33-026-157	(1993-2004)	STUB SHAFT, AUGER	(1)	(1)	(1)	(1)	(1)
	33-026-322	(2005-)	SHAFT, AUGER STUB	1	1	1	1	1
4	48-090625		CAPSCREW, 1/2 X 2 1/2 G5 PLT	2	2	2	2	2
5	66-010250		LOCKWASHER, 1/2	14	14	14	14	14
6	68-010250		HEX NUT, 1/2	14	14	14	14	14
7	33-070-101		HEADER TIE, 4X36	1	-	-	-	-
	33-070-251		HEADER TIE, 4X40	-	1	-	-	-
	33-070-237		HEADER TIE, 6X30	-	-	1	-	-
	33-070-061		HEADER TIE, 6X36	-	-	-	1	-
	33-070-093		HEADER TIE, 6X40/8X30	-	-	-	-	1
8	52-050125		CARRIAGE SCREW, 1/2 X 1 1/4 G5 PLT	8	8	8	8	8
9	48-090150		CAPSCREW, 3/8 X 1 1/4	8	8	8	8	8
10	62-010100		FLATWASHER, 3/8	29	29	29	29	29
11	66-010150		LOCKWASHER, 3/8	19	19	19	19	19
12	68-010150		HEX NUT, 3/8	19	19	19	19	19
13	48-090100		CAPSCREW, 3/8 X 1 G5 PLT	2	2	2	2	2
14	48-090592		CAPSCREW, 1/2 X 1 1/4 G5 PLT	2	2	2	2	2
15	48-090750		CAPSCREW, 1/2 X 3 1/2	2	2	2	2	2
16	52-050040		CARRIAGE SCREW, 3/8 X 1 1/4 G5 PLT	9	9	9	9	9
17	33-052-083		BUSHING, P-1 1 7/16	1	1	1	1	1
18	04-026-038		KEY, 3/8 X 2	1	1	1	1	1
19	48-110100		CAPSCREW, 5/16 X 1 1/4 G8	3	3	3	3	3
20	66-010100		LOCKWASHER, 5/16	3	3	3	3	3

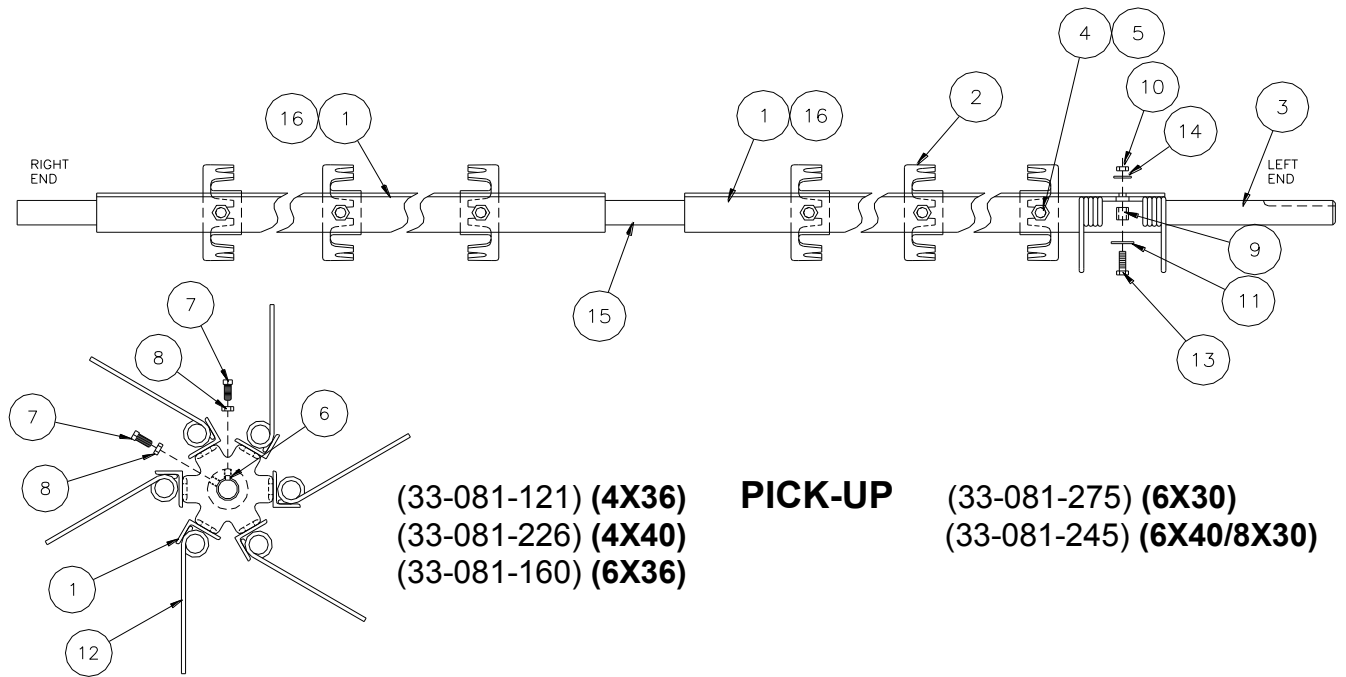
4R & 6R, LT & RT CONNECTORS & DROP FLOOR

(FOR 4X36, 4X40, 6X30, 6X36, 6X40 & 8X30)



THIS BOLT TO REAR OF
CENTER TROUGH
REFER TO PAGES 22-25.

ITEM	PART NO	SERIAL NO OR YR	DESCRIPTION	QTY
1	33-080-573		FLOOR, DROP	1
2	33-080-600		CONNECTOR, LT	1
3	33-080-601		CONNECTOR, RT	1
4	33-080-954		BAFFLE, LT THROAT (Used on 4-row machines)	1
	33-029-006		BAFFLE, THROAT (Used on 6-row machines)	1
5	33-080-955		BAFFLE, RT THROAT (Used on 4-row machines)	1
	33-029-006		BAFFLE, THROAT (Used on 6-row machines)	1
6	52-050140		CARRIAGE SCREW, 1/2 X 1 1/2	4
7	66-010250		LOCKWASHER, 1/2	12
8	68-010250		HEX NUT, 1/2	12
9	52-050040		CARRIAGE SCREW, 3/8 X 1 1/4	9
10	62-010100		FLATWASHER, 3/8	9
11	66-010150		LOCKWASHER, 3/8	9
12	68-010150		HEX NUT, 3/8	9
13	48-090595		CAPSCREW, 1/2 X 1 1/2 G5 PLT	8
14	62-010200		FLATWASHER, 1/2 PLT	8

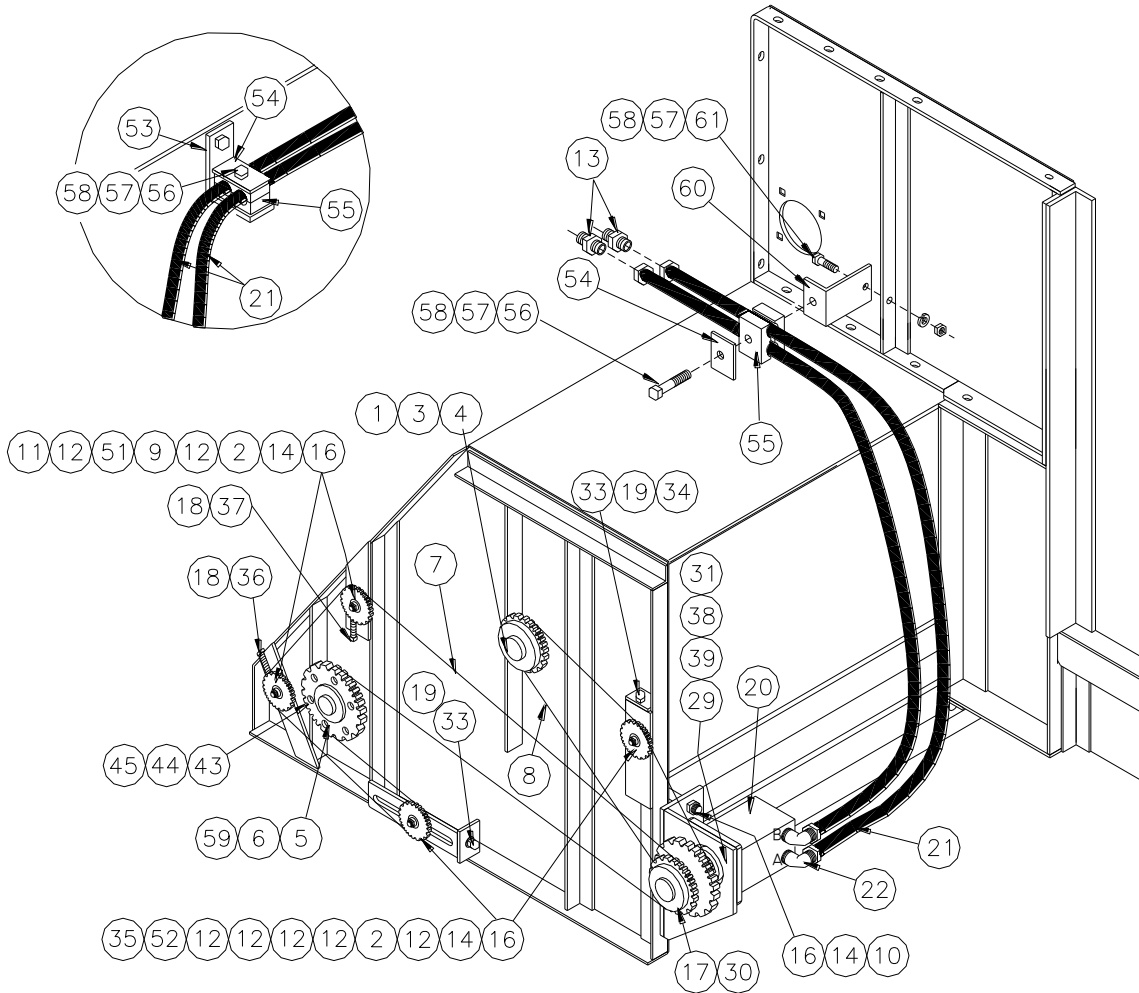


PICK-UP

(33-081-121) (4X36) (33-081-275) (6X30)
 (33-081-226) (4X40) (33-081-245) (6X40/8X30)
 (33-081-160) (6X36)

ITEM	PART NO	SERIAL NO OR YR	DESCRIPTION	4X36	4X40	6X30	6X36	6X40 8X30
1	33-025-210		ANGLE, CENTER PICK-UP	12		-	6	6
	33-025-308		ANGLE, PICK-UP END	-	12	-	-	-
	33-025-348		ANGLE, PICKUP CENTER	-		18	-	-
2	33-057-003		HEAD, PICKUP	6	6	9	9	9
3	33-026-186		SHAFT, PICK-UP	1	-	-	-	-
	33-026-281		SHAFT, PICK-UP	-	1	-	-	-
	33-026-305		SHAFT, 6 X 30 PICK-UP	-	-	1	-	-
	33-026-234		SHAFT, PICK-UP	-	-	-	1	-
	33-026-293		SHAFT, PICK-UP	-	-	-	-	1
4	48-090590		CAPSCREW, 1/2 X 1 G5 PLT	36	36	54	54	54
5	72-010100		LOCKNUT, 1/2 G"B"	36	36	54	54	54
6	03-026-016		KEY, 1/4 X 1 1/4	6	6	9	9	9
7	54-010150		SETSCREW, 3/8 X 7/8 SQ HD	12	12	18	18	18
8	70-010051		JAM NUT, 3/8	12	12	18	18	18
9	33-024-092		SPACER	96	108	126	156	168
10	72-010025		LOCKNUT, 5/16 G"B"	96	180	126	156	168
11	33-027-341		CLIP	96	108	126	156	168
12	33-050-118		SPRING, STRAIGHT PICK-UP	96	108	126	156	168
13	48-090036		CAPSCREW, 5/16 X 1 G5 PLT	96	108	126	156	168
14	62-010050		FLATWASHER, 5/16 PLT	96	108	126	156	168
15	33-051-035		BEARING, 1 1/4 PILLOW	1	1	2	2	2
16	33-025-308		ANGLE, END PICK-UP	-	-	-	12	-
	33-025-316		ANGLE, END PICK-UP	-	-	-	-	12

LOWER HEADER HYDRAULICS (4X36, 6X30, 6X36, 6X40 & 8X30)

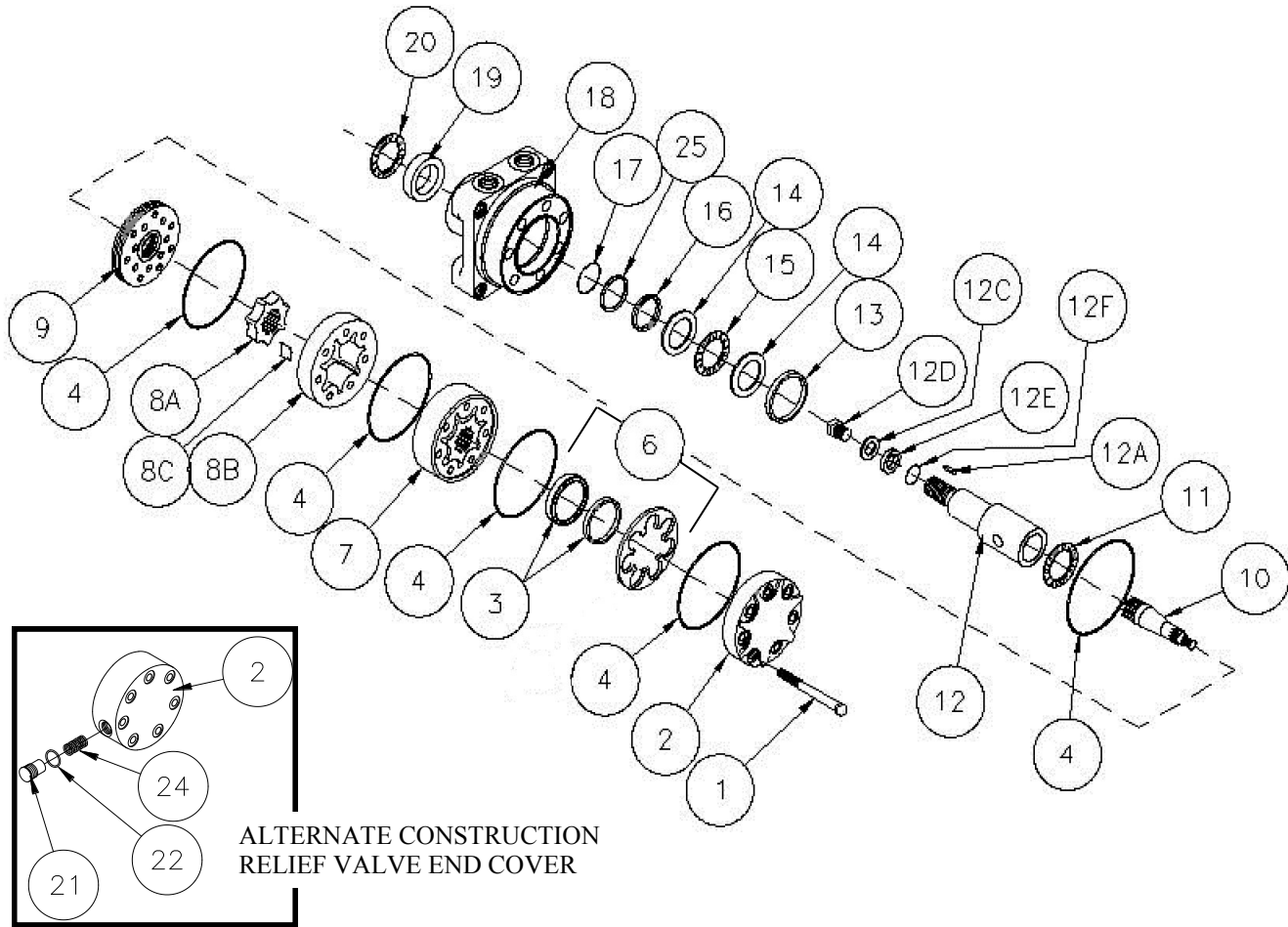


ITEM	PART NO	SERIAL NO OR YR	DESCRIPTION	4X36 4X40	6X30 6X36 6X40 8X30
1	03-026-016	(-2004)	KEY, 1/4 X 2	(1)	(1)
	04-026-038	(2005-)	KEY, 3/8 X 2	1	1
2	33-052-015		IDLER, 60-15T	4	4
3	03-052-011		SPROCKET, 60-15T	1	1
4	03-052-039	(-2004)	BUSHING, P1 TAPER W/ 1 1/4 B	(1)	(1)
	03-052-083	(2005-)	BUSHING, P1 TAPER W/ 1 7/16 B	1	1
5	33-052-070		COUPLER, OVER-RUNNING	1	1
6	33-052-069		SPROCKET, 60A30	1	1
7	33-052-077		CHAIN, RC-60H 180P	1	1
8	33-052-066		CHAIN, RC-60H 76P	1	-
	33-052-078		CHAIN, RC-60H 74P	-	1
10	16-050-001		U-BOLT	2	2
11	52-040100		CARRIAGE SCREW, 5/8 X 4 G5	2	2
12	62-010250		FLATWASHER, 5/8 PLT	14	14

ITEM	PART NO	SERIAL NO OR YR	DESCRIPTION	4X36 4X40	6X30 6X36 6X40 8X30
13	33-059-080		ADAPTER, 8MB-8MJ	2	2
14	66-010300		LOCKWASHER, 5/8 PLT	8	8
16	68-010300		HEX NUT, 5/8 PLT	8	8
17	33-052-051		SPROCKET, 60Q2822	1	-
	33-052-076		SPROCKET, 60Q2318	-	1
18	70-010051		JAM NUT, 3/8	2	2
19	62-010200		FLATWASHER, 1/2	1	1
20	33-061-068	(-2009)	MOTOR, 4R HYD HEAD	(1)	-
	33-061-144	(2010-)	MOTOR, 2001 6R HYD HEAD	1	1
21	33-059-082		HOSE, 8M3K-10FJX-8FJX-226"	2	-
	33-059-089		HOSE, 8M3K-10FJX-8FJX-264"	-	2
22	33-059-021		ADAPTOR, 10MB-10MJ-90°	2	2
29	33-080-554		MOUNT, 4R MOTOR	1	1
30	33-053-084		BUSHING, 1 3/8 Q1 TAPER	1	1
31	48-090625		CAPSCREW, 1/2 X 2 1/2 G5 PLT	4	4
33	33-080-615		THRD ROD, 1/2	2	2
34	33-023-567		PLATE, IDLER DRAWBOLT	1	1
35	33-070-013		BOLT, 2 1/2" IDLER	2	2
36	54-010173		SETSCREW, 3/8 X 2	1	1
37	54-010178		SETSCREW, 3/8 X 4	1	1
38	66-010250		LOCKWASHER, 1/2	4	4
39	68-010250		HEX NUT, 1/2	4	4
43	48-090150		CAPSCREW, 3/8 X 1 1/4 G5 PLT	6	6
44	66-010150		LOCKWASHER, 3/8 PLT	6	6
45	68-010150		HEX NUT, 3/8 PLT	6	6
51	33-024-048		SPACER, 3/4"	2	2
52	62-010300		FLATWASHER, 3/4 PLT	2	2
53	33-023-666		BRACE, HOSE CLAMP	-	1
54	33-050-160		PLATE, COVER	2	2
55	33-050-256		CLAMP, HOSE	2	2
56	48-090050		CAPSCREW, 5/16 X 2 1/2 G5	2	2
57	66-010100		LOCKWASHER, 5/16 PLT	2	2
58	68-010100		HEX NUT, 5/16 PLT	2	2
59	03-026-017		KEY, 1/4 X 2 11/16	1	1
60	33-023-848		BRACKET, HOSE CLAMP	1	1
61	48-090036		CAPSCREW, 5/16 X 1 G5 PLT	1	1

4-ROW HYDRAULIC HEAD MOTOR
 (Used Only on 4r Machines up to 2009)
 (33-061-068)

6-ROW HYDRAULIC HEAD MOTOR
 (Used on 4r Machines From 2010 to Present)
 (33-061-144)

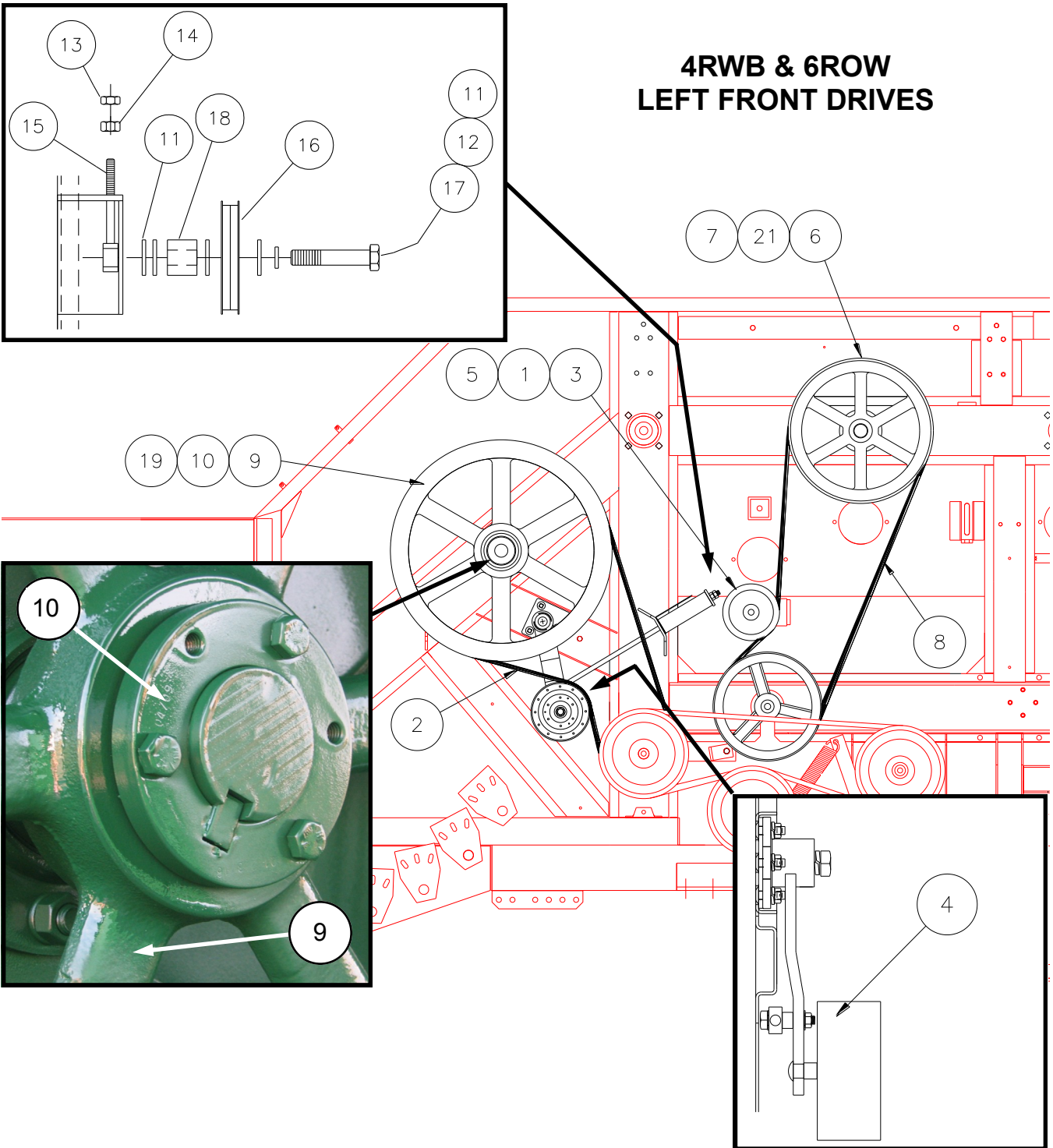


ITEM	KMC PART NO.	PARKER PART NO.	DESCRIPTION	QTY	
				-068	-144
1	33-061-153	021366	SPECIAL BOLTS	7	-
	33-061-183	021374	SPECIAL BOLTS	-	7
2	33-061-154	ME016004A3	END COVER	1	1
*3	33-061-155	032435	SEAL-RING , COMMUTATOR	1	1
*4	33-061-156	032819	SEAL RING	5	1
6	33-061-181	ME018000A1	COMMUTATOR ASSY	(1)	1
7	33-061-157	ME015000	MANIFOLD	1	1
8A	33-061-158	ME217003	ROTOR SET	1	-
	33-061-184	ME247003	ROTOR SET	-	1
8B	33-061-159	ME217007	FREE RUNNING ROTOR SET	1	-
	33-061-185	ME247007	FREE RUNNING ROTOR SET	-	1
9	33-061-160	477342	WEAR PLATE	1	1

ITEM	KMC PART NO,	PARKER PART NO.	DESCRIPTION	QTY	
				-068	-144
10	33-061-161	ME213000	DRIVE LINK	1	-
	33-061-186	ME243000	DRIVE LINK	-	1
11	33-061-162	068024	THRUST BEARING	1	1
12	33-061-163	ME019011	COUPLING SHAFT	1	1
12A	33-061-164	039028	KEY	1	1
12C	33-061-165	028518	WASHER	1	1
12D	33-061-166	021482	BOLT, 5/8 -18	1	1
12E	33-061-167	028992	LOCKWASHER	1	1
12F	33-061-168	401658	RETAINING RING	1	1
13	33-061-169	071031	INNER BEARING	1	1
14	33-061-170	400136	THRUST WASHER	2	2
15	33-061-171	069017	THRUST BEARING	1	1
*16	33-061-172	032817	INNER SEAL	1	1
*17	33-061-173	028515	BACKUP WASHER	1	1
18	33-061-182	ME012002A3	HOUSING ASSY	1	1
19	33-061-175	068027	OUTER BEARING	1	1
*20	33-061-097	478035	DIRT & WATER SEAL	1	1
21	33-061-177	411063A1	PLUG & O-RING ASSY	1	1
22	33-061-178	032424	O-RING	1	1
24	33-061-179	41001230	VALVE	2	2
*25	33-061-180	029118	BACKUP WASHER	1	1

* THESE MAKE UP SEAL KIT FOR ME/MB MOTORS - (33-061-098)

4RWB & 6ROW LEFT FRONT DRIVES

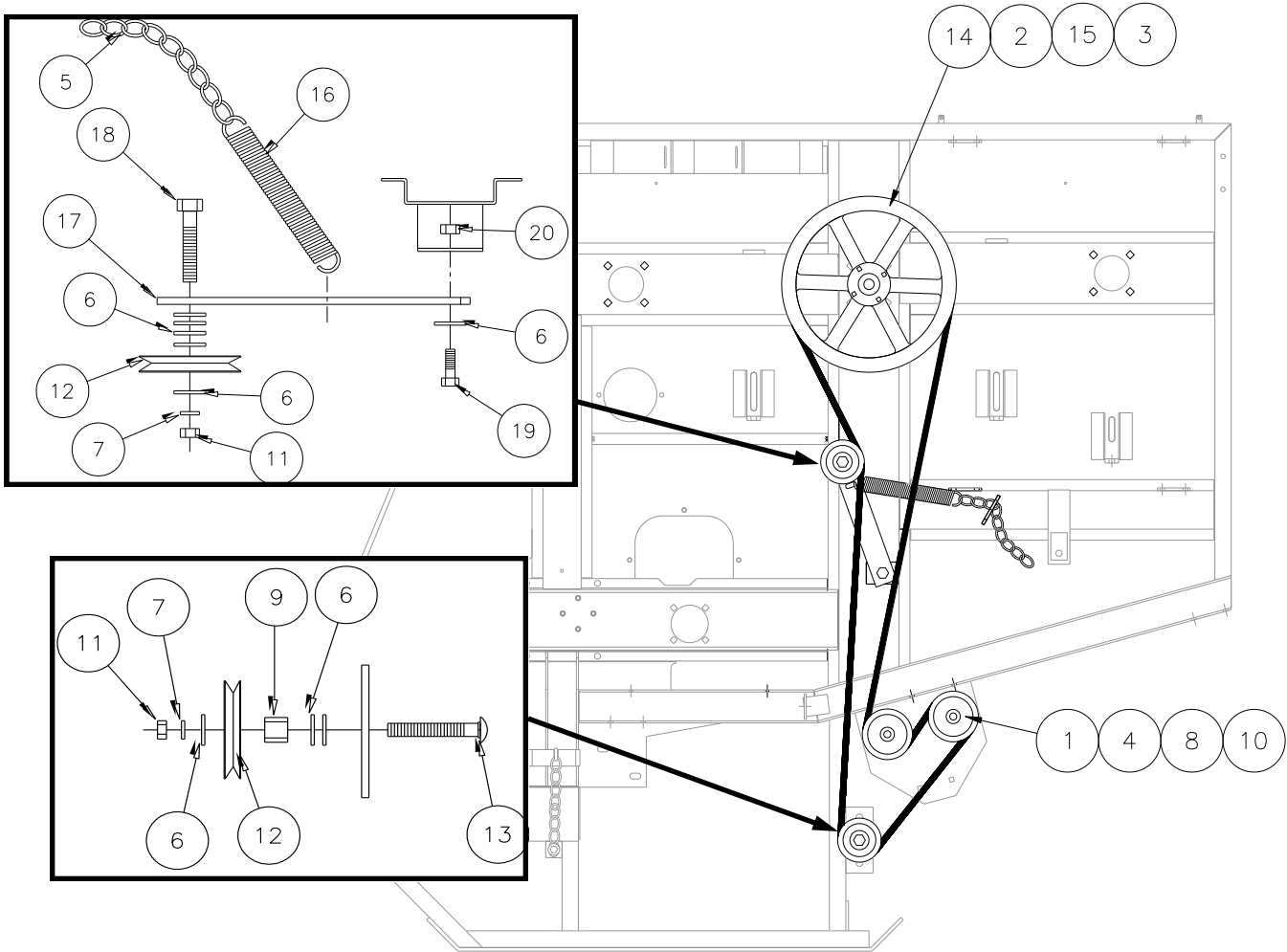


ITEM	PART NO	SERIAL NO OR YR	DESCRIPTION	QTY
1	33-053-034		BUSHING, 1 7/16 BORE SF-QD	1
2	33-053-197		V-BELT, 3B-112	1
3	33-053-075		SHEAVE, SF 1C 12.0	1
*4	33-081-364		ARM, IDLER	1
5	04-026-038		KEY, 3/8 X 2	2
6	33-053-031		SHEAVE, 1C 16-SF	1

*BREAKDOWN ON PAGE 34.

ITEM	PART NO	SERIAL NO OR YR	DESCRIPTION	QTY
7	33-026-381		KEY, 1/2 X 2	1
8	33-053-076		V-BELT, C-110.9	1
9	33-053-195	(-2008)	SHEAVE, 3B-25.0	(1)
	33-053-207	(2009-)	SHEAVE, 3B250Q	1
10	33-053-151	(-2008)	TAPER BUSHING, 2 3/16 SF QD	(2)
	33-053-152	(2009-)	TAPER BUSHING, Q1 X 2 3/16	1
11	62-010250		FLATWASHER, 5/8 PLT	4
12	66-010300		LOCKWASHER, 5/8 PLT	1
13	70-010100		JAM NUT, 1/2 PLT	1
14	68-010250		HEX NUT, 1/2 PLT	1
15	33-080-795		DRAWBOLT, IDLER	1
16	03-053-023		IDLER, 1 X 5 1/2	1
17	48-091050		CAPSCREW, 5/8 X 3 1/2 G5 PLT	1
18	33-024-057		SPACER, 1" IDLER	1
19	33-026-128		KEY, 1/2 X 2 1/2	1
20	33-050-364	(-2008)	BOLT, 3/8-16 X 2 G8	3
21	33-053-151	(2009-)	TAPER BUSHING, 2 3/16 SF QD	1

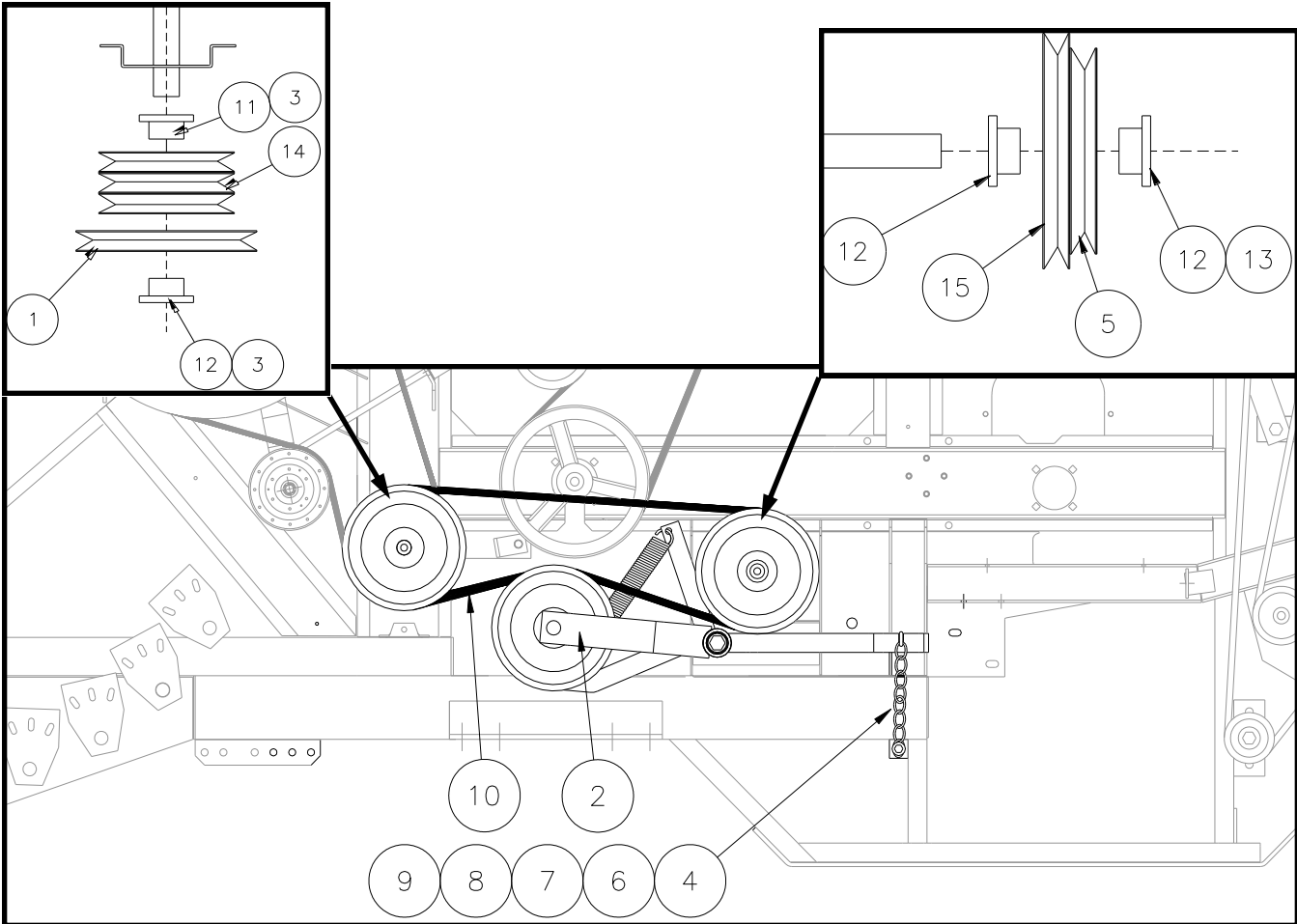
4RWB & 6ROW LEFT REAR DRIVES



ITEM	PART NO	SERIAL NO OR YR	DESCRIPTION	QTY
1	33-053-043		SHEAVE, 5.5 OD X 7/8 B. DRIVE	2
2	33-053-148		BUSHING, 1 3/4 SK-QD TAPER	1
3	04-026-038		KEY, 3/8 X 2	1
4	54-010020		SETSCREW, 5/16 X 3/4 G5 PLN	4
5	03-050-004		CHAIN, 3/16 PROOF 18 LINKS	1
6	62-010250		FLATWASHER, 5/8 PLT	9
7	66-010300		LOCKWASHER, 5/8 PLT	2
8	70-010025		JAM NUT, 5/8 PLT	4
9	33-024-057		SPACER, 1" IDLER	1
10	33-026-280		KEY, 3/16 X 1 1/4 (6 ROW ONLY)	1
11	68-010300		HEX NUT, 5/8 PLT	2
12	33-053-002		IDLER, 4 OD X 5/8 B	2
13	52-050374		CARRIAGE SCREW, 5/8 X 3 1/2	1

ITEM	PART NO	SERIAL NO OR YR	DESCRIPTION	QTY
14	33-053-099		SHEAVE, 1B-16.0	1
15	33-053-126		BELT, HBB-155.0	1
16	15-050-002		SPRING, 1 X 7 1/4 EXT	1
17	33-023-100		IDLER ARM, AUGER	1
18	48-090984		CAPSCREW, 5/8 X 2 1/2 G5 PLT	1
19	48-090910		CAPSCREW, 5/8 X 1 1/4 G5 PLT	1
20	72-020050		LOCKNUT, 5/8 G"C" PLT	1

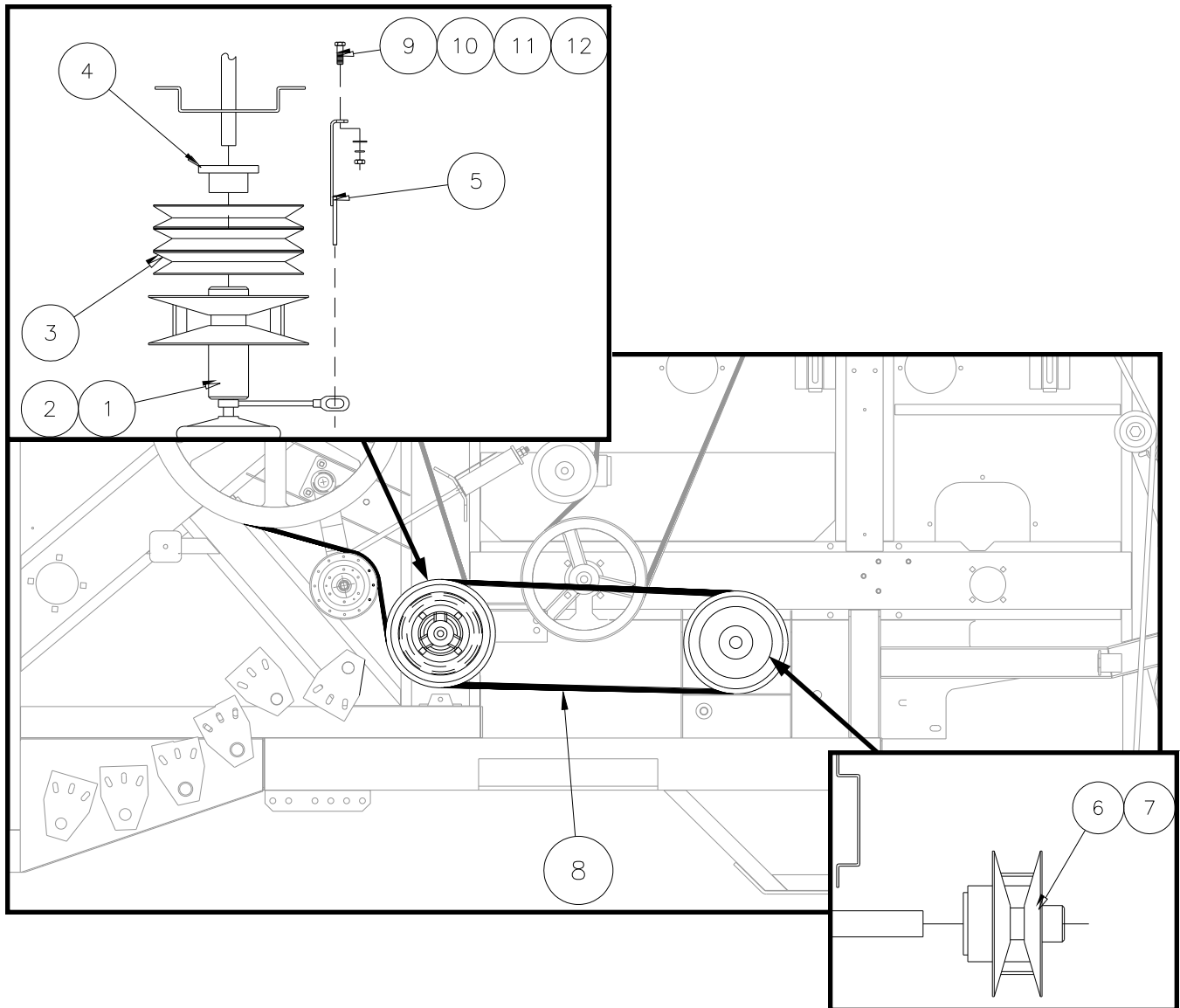
4RWB VARIABLE SPEED CONTROLS (LEFT SIDE DRIVES)



ITEM	PART NO	SERIAL NO OR YR	DESCRIPTION	QTY
1	33-053-122		SHEAVE, 1C-10 QD	1
*2	33-081-377		IDLER ARM, SEP FAN (4R)	1
3	04-026-038		KEY, 3/8 X 2'	2
4	03-050-004		CHAIN, 3/16 PROOF 18 LINKS	1
5	33-053-124		SHEAVE, 1C-8.5 QD	1
6	48-090037		CAPSCREW, 5/16 X 1 1/4	1
7	62-010050		FLATWASHER, 5/16 PLT	1
8	66-010100		LOCKWASHER, 5/16 PLT	1
9	68-010100		HEX NUT, 5/16 PLT	1
10	33-053-125	(2004-2009)	BELT, C-90S	(1)
	33-053-210	(2010-)	BELT, 86.9	1
11	33-053-148		BUSHING, 1 3/4 SK-QD TAPER	1
12	33-053-033		BUSHING, 1 3/4 B SF-QD	3
13	33-026-127		KEY, 3/8 X 4 1/2	1
14	33-053-196		SHEAVE, 3B-7.4 QD	1
15	33-053-123	(2004-2009)	SHEAVE, 1C-9.5 QD	(1)
	33-053-104	(2010-)	SHEAVE, QD 1C 7.5	1

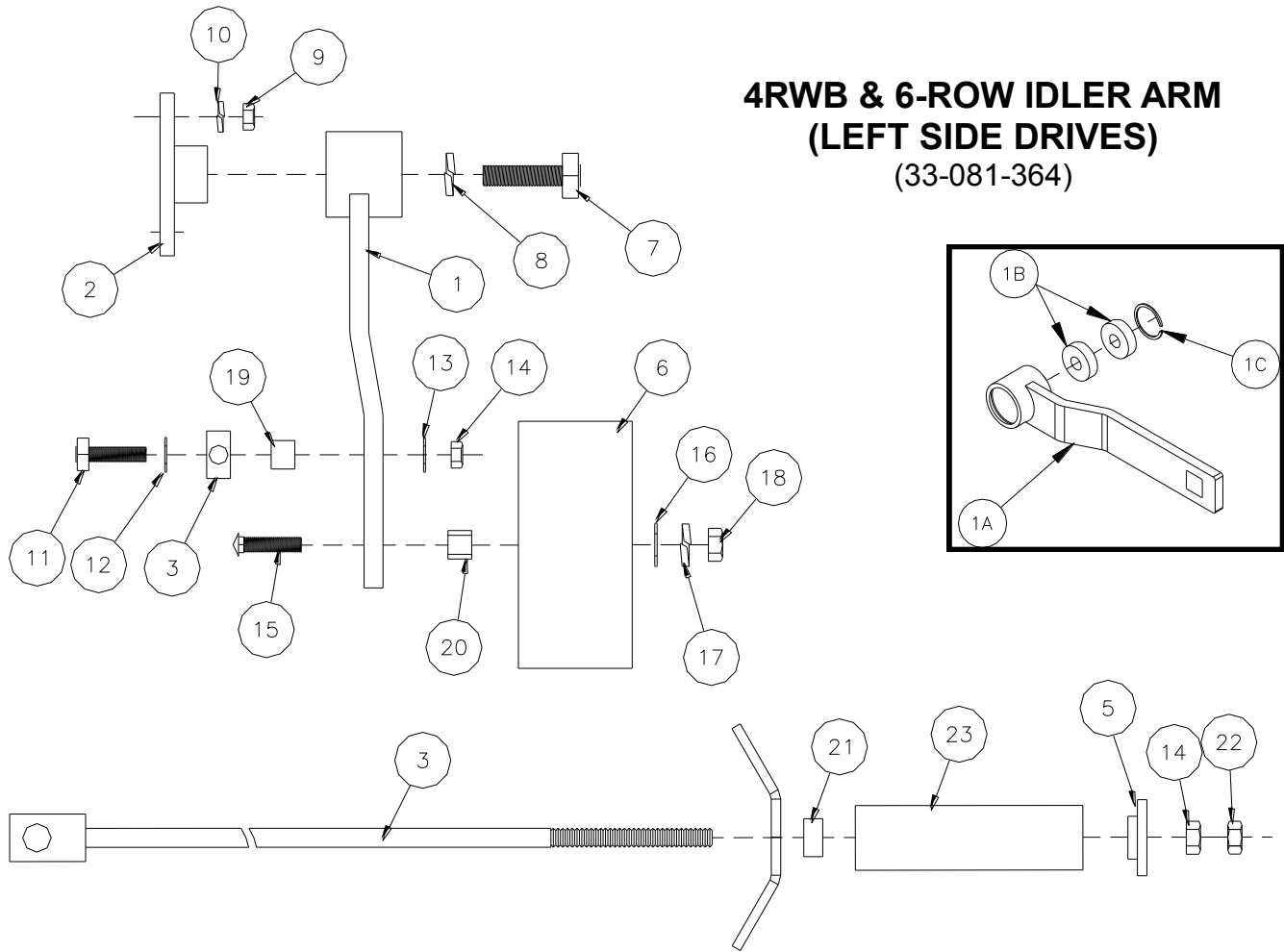
* BREAKDOWN ON PAGE 35

6R VARIABLE SPEED CONTROLS (LEFT SIDE DRIVES)



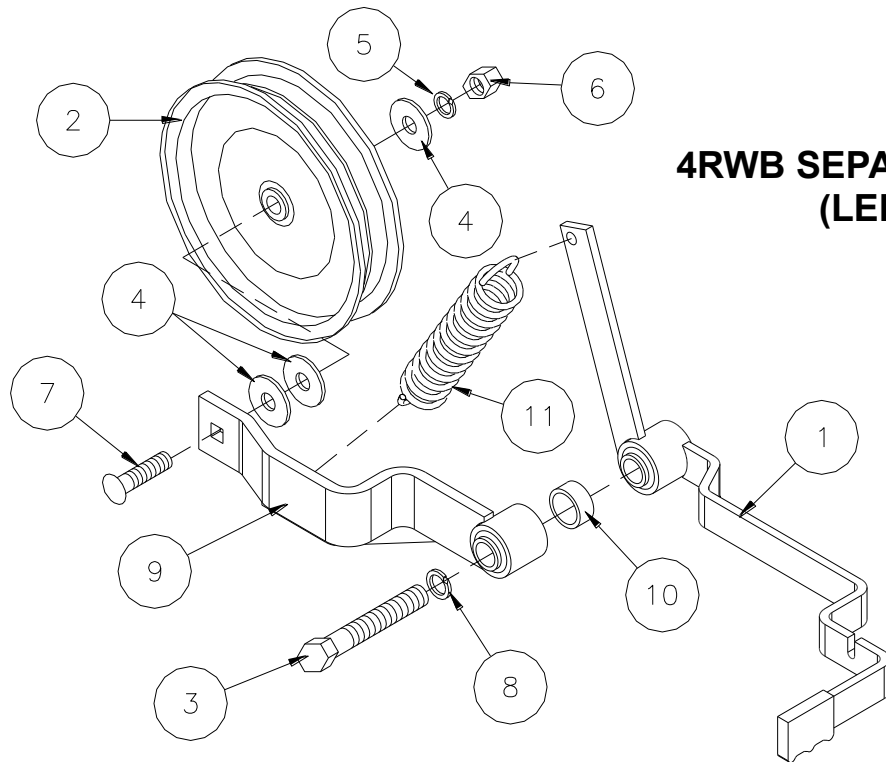
ITEM	PART NO	SERIAL NO OR YR	DESCRIPTION	QTY
1	33-053-187		SHEAVE, VARIABLE PITCH	1
2	33-026-289		KEY, 3/8 X 5 1/4	1
3	33-053-196		SHEAVE, 3B-7.4	1
4	33-053-148		BUSHING, 1 3/4 SK-QD TAPER	1
5	33-070-028		CONTROL ROD	1
6	33-053-086		SHEAVE, VARIABLE PITCH	1
7	33-053-087		COLLET, 1 3/4	1
8	33-053-088		BELT, VARIABLE SPEED	1
9	48-090100		CAPSCREW, 3/8 X 1	1
10	62-010100		FLATWASHER, 3/8 PLT	1
11	66-010150		LOCKWASHER, 3/8 PLT	1
12	68-010150		HEX NUT, 3/8 PLT	1

**4RWB & 6-ROW IDLER ARM
(LEFT SIDE DRIVES)
(33-081-364)**



ITEM	PART NO	SERIAL NO OR YR	DESCRIPTION	QTY
1	33-081-367		ARM, IDLER	1
1A	33-070-271		ARM, IDLER	1
1B	03-051-015		CUP, BEARING	2
1C	04-050-001		RING, 1 3/4 INTERNAL RETAINER	1
2	33-070-273		PLATE, IDLER	1
3	33-070-272		DRAWBOLT, SPRING IDLER	1
5	33-070-274		TOP, SPRING	1
6	33-053-189		IDLER, PULLEY 3 X 6 1/2	1
7	48-200046		CAPSCREW, 3/4 X 2 1/4	1
8	66-010350		LOCKWASHER, 3/4 PLT	1
9	68-010150		HEX NUT, 3/8 PLT	3
10	66-010150		LOCKWASHER, 3/8 PLT	3
11	48-090600		CAPSCREW, 1/2 X 2	1
12	62-010200		FLATWASHER, 1/2 STD	1
13	66-010250		LOCKWASHER, 1/2 PLT	1
14	68-010250		HEX NUT, 1/2 PLT	2
15	52-040100		CARRIAGE SCREW, 5/8 X 4	1
16	62-010250		FLATWASHER, 5/8 PLT	1

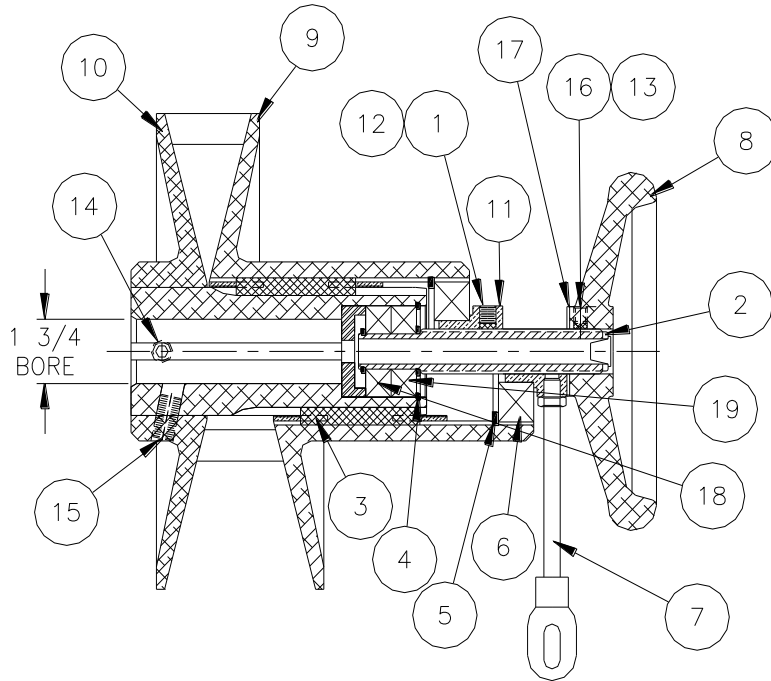
ITEM	PART NO	SERIAL NO OR YR	DESCRIPTION	QTY
17	66-010300		LOCKWASHER, 5/8 PLT	1
18	68-010300		HEX NUT, 5/8 PLT	1
19	15-026-003		BUSHING, LINKAGE	1
20	33-024-057		SPACER, 1" IDLER	1
21	17-024-003		TUBE, BRACE	1
22	70-010100		JAM NUT, 1/2 PLN	1
23	33-050-372		SPRING, .262 X 6 COMP	1



**4RWB SEPARATOR FAN IDLER ARM
(LEFT SIDE DRIVES)
(33-081-377)**

ITEM	PART NO	SERIAL NO OR YR	DESCRIPTION	QTY
1	33-081-376		IDLER ARM, SEP FAN	1
	03-051-015		CUP, BEARING	2
	04-050-001		RING, 1 3/4 INTERNAL RETAINING	1
2	33-053-120		IDLER, 1 1/2 X 8	1
3	48-091450		CAPSCREW, 3/4 X 4 1/2	1
4	62-010250		FLATWASHER, 5/8 PLT	3
5	66-010300		LOCKWASHER, 5/8 PLT	1
6	68-010300		HEX NUT, 5/8 PLT	1
7	52-050350		CARRIAGE SCREW, 5/8 X 2 1/2	1
8	66-010350		LOCKWASHER, 3/4 PLT	1
9	33-081-378		IDLER ARM, OUTER	1
	03-051-015		CUP, BEARING	2
	04-050-001		RING, 1 3/4 INTERNAL RETAINING	1
10	33-024-504		SPACER	1
11	21-050-016		SPRING, EXTENSION	1

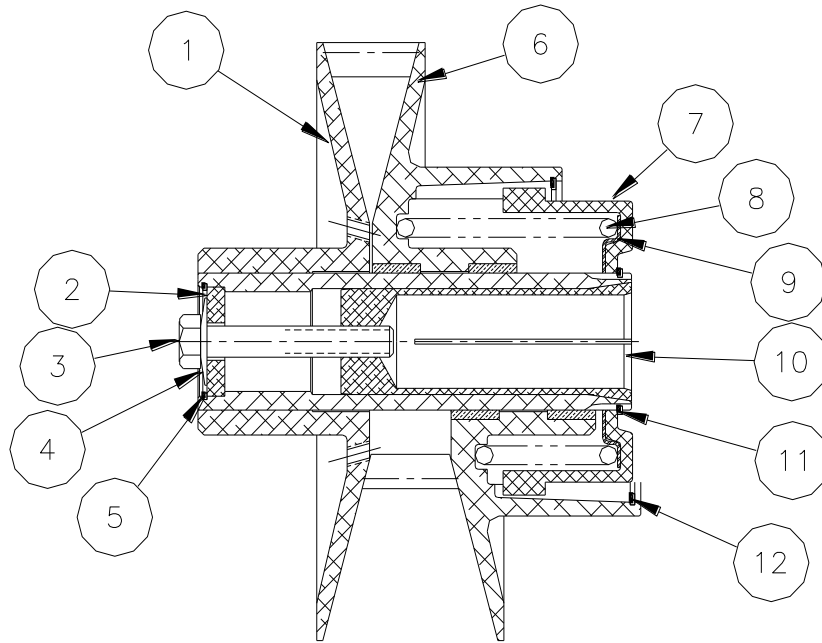
6-ROW VARIABLE PITCH SHEAVE (FRONT)
(33-053-187)



ITEM	PART NO	SERIAL NO OR YR	DESCRIPTION	QTY
1	54-020010		SETSCREW, 3/8 X 3/8 ALLEN HD	1
2	33-053-132		SUB-ASSEMBLY	1
3	33-053-139		KEY	2
4	33-053-134		RETAINING RING, 226	1
5	33-053-136		RETAINING RING	1
6	33-053-135		BEARING	1
7	33-053-133		SUB-ASSEMBLY	1
8	33-053-149		HANDWHEEL	1
9	33-053-175		SHEAVE, INSIDE	1
10	33-053-172		SHEAVE, OUTSIDE	1
11	33-053-160		THRUST NUT	1
12	33-053-165		BUTTON	1
13	33-053-162		BUTTON, NYLON	1
14	54-010245		SETSCREW, 1/2 UNF X 1 ALLEN HD	1
15	54-010254		SETSCREW, 1/2 UNF X 1 1/4 ALLEN HD	1
16	54-020080		SETSCREW, 5/16 X 3/8 ALLEN HD	1
17	33-053-159		WASHER	1
18	33-053-156		BEARING, STEM END	1
19	33-053-157		BEARING, OUTSIDE	1

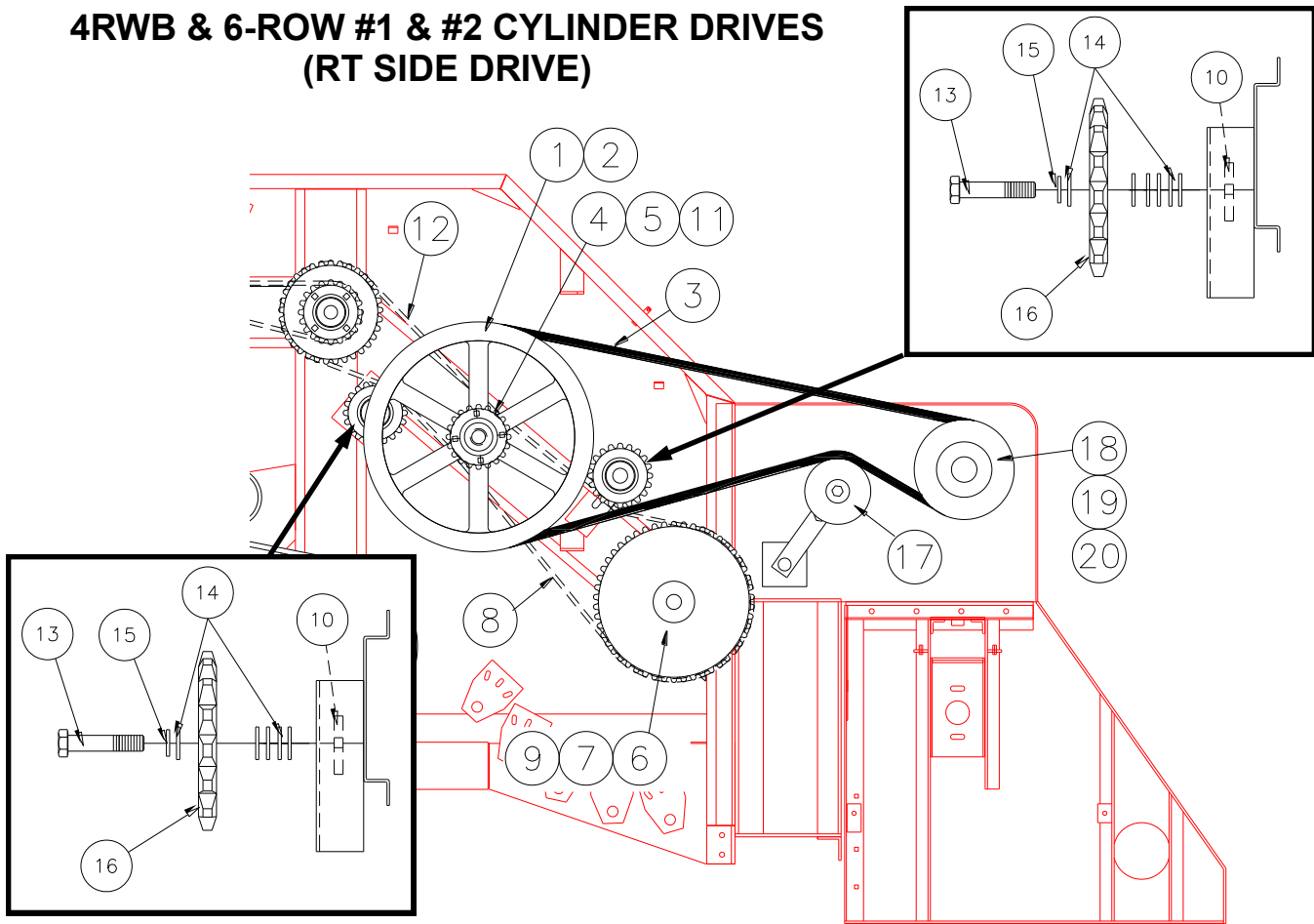
6-ROW VARIABLE PITCH SHEAVE (REAR)

(33-053-086)



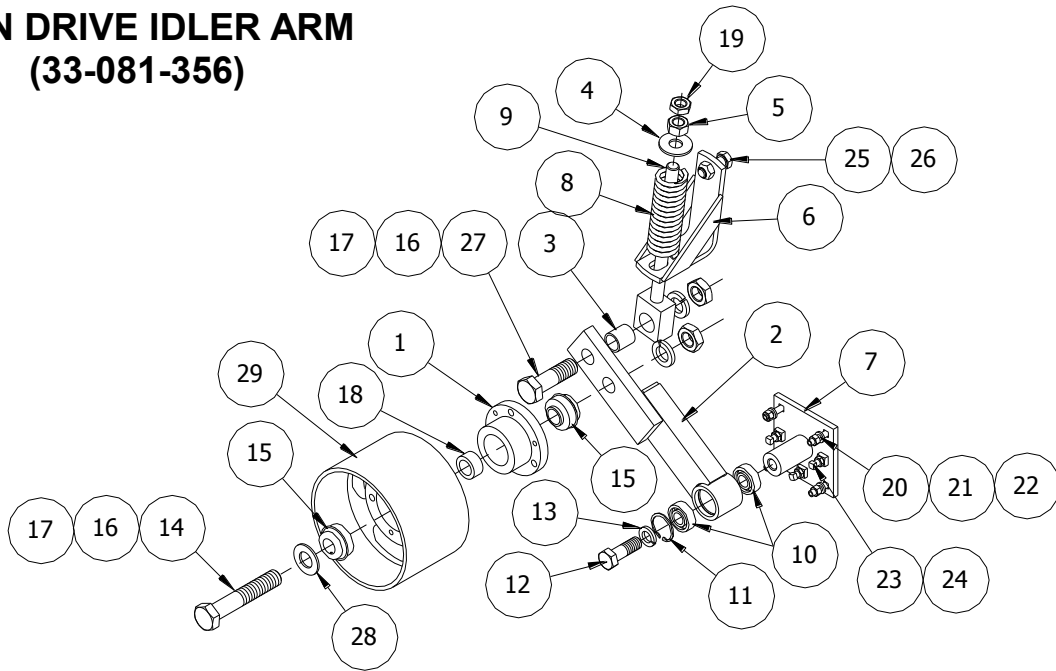
ITEM	PART NO	SERIAL NO OR YR	DESCRIPTION	QTY
1	33-053-158		SHEAVE OUTSIDE	1
2	33-053-161		PLUG ADAPTER	1
3	48-091050		CAPSCREW, 5/8 X 3 1/2	1
4	33-053-140		COMPRESSION WASHER	1
5	33-053-163		RETAINING RING	1
6	33-053-164		SHEAVE INSIDE	1
7	33-053-167		SPRING CAP	1
8	33-053-168		SPRING	1
9	33-053-169		SPRING RETAINER	1
10	33-053-087		COLLET, 1 3/4 W/T	1
11	33-053-170		RETAINING RING	1
12	33-053-171		RETAINING RING	1

4RWB & 6-ROW #1 & #2 CYLINDER DRIVES (RT SIDE DRIVE)



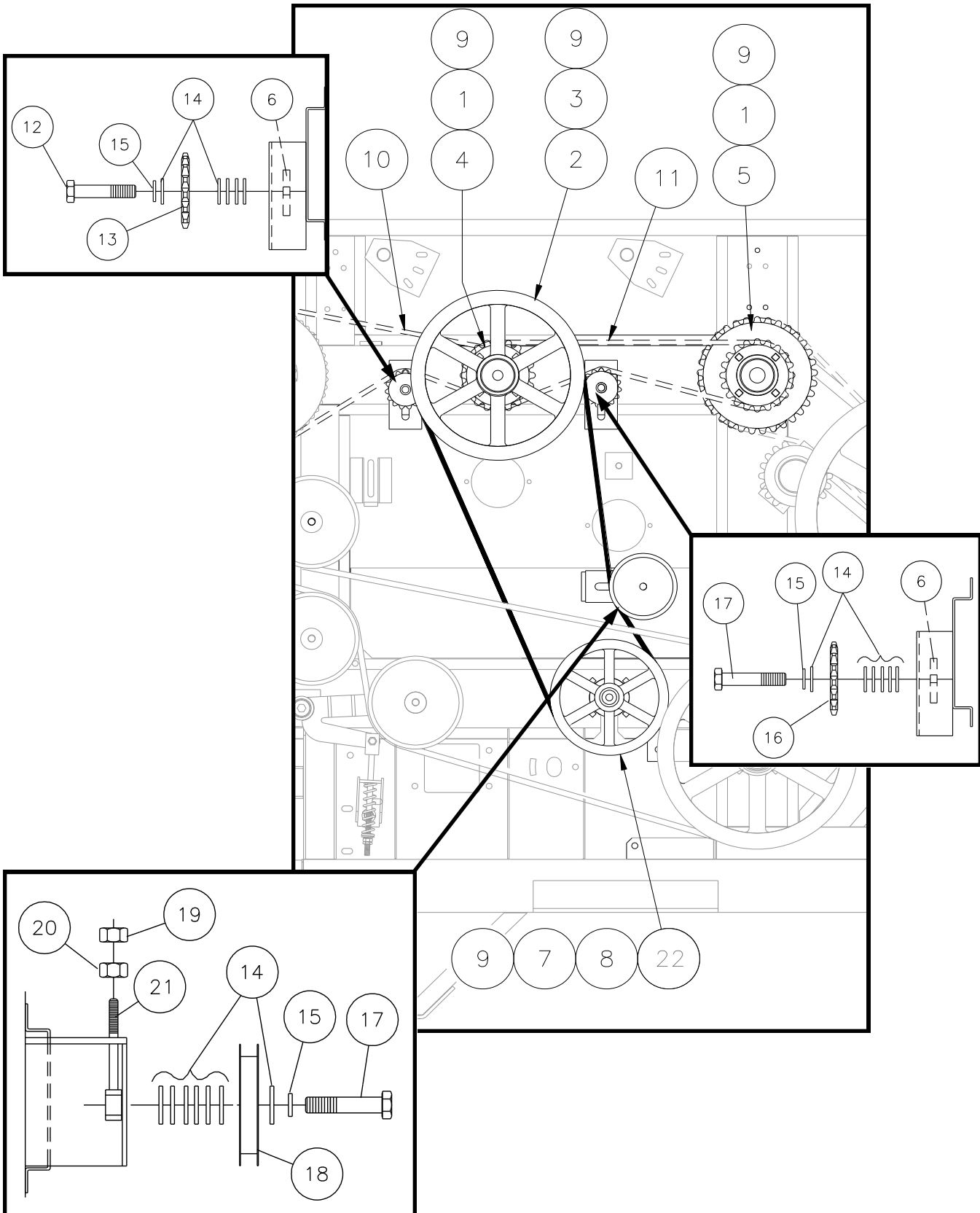
ITEM	PART NO	SERIAL NO OR YR	DESCRIPTION	QTY
1	33-053-093		SHEAVE, 4C-24.0" QD	1
2	33-053-150		TAPER BUSHING, F QD 2 3/16	1
	33-050-408		BOLT, 9/16-12 X 3 1/2 G5 PLN	3
3	33-053-097		POWERBAND, 4C 167.0	1
4	33-052-068		SPROCKET, DS80Q20	1
5	33-053-152		TAPER BUSHING, Q1 2-3/16	1
6	33-052-067		SPROCKET, 80R50	1
7	33-053-058	(-2005)	BUSHING, R1 X 1 15/16 BORE	(1)
	33-053-153	(2006-)	BUSHING, R1 X 2 3/16 BORE	1
8	33-052-071		CHAIN, RC-80H91P	1
9	33-026-257		KEY, 1/2 X 3 3/4	1
10	33-023-098		BLOCK, IDLER	2
11	33-026-128		KEY, 1/2 X 1 1/2	1
12	33-052-003		CHAIN, RC-80H68P	1
13	48-090984		CAPSCREW, 5/8 X 2 1/2 G5 PLT	2
14	62-010250		FLATWASHER, 5/8 STD PLT	11
15	66-010300		LOCKWASHER, 5/8 PLT	2
16	33-052-021		SPROCKET, 80A20	2
17	33-081-356		MAIN DRIVE IDLER ARM	1
18	33-053-092		SHEAVE, 4C-10.0	1
19	33-053-091		TAPER BUSHING, EQD	1
20	33-026-256		KEY, 3/8 X 3	1

MAIN DRIVE IDLER ARM (33-081-356)



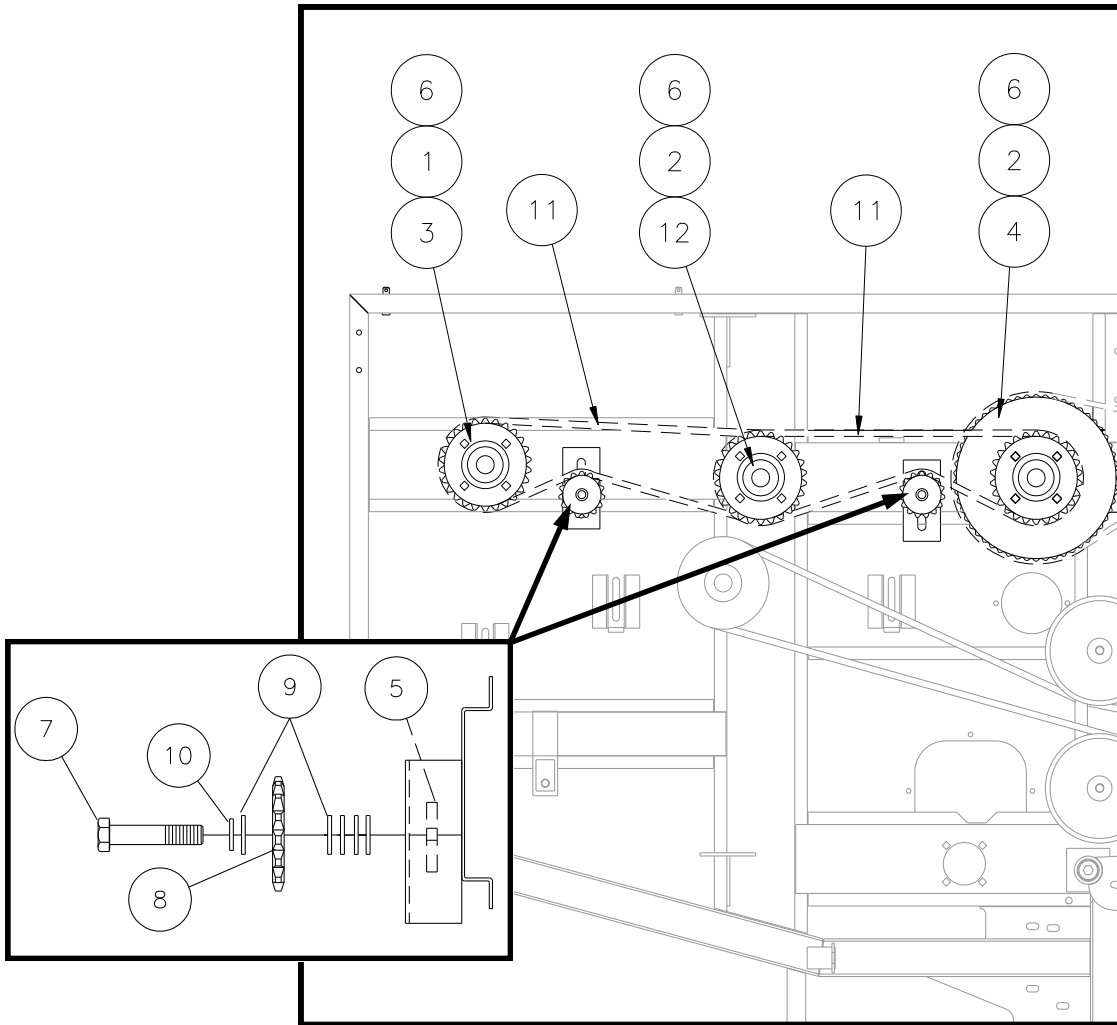
ITEM	PART NO	SERIAL NO OR YR	DESCRIPTION	QTY
1	33-053-154		BUSHING, SF-SPECIAL	1
2	33-070-258		ARM, IDLER	1
3	33-024-406		BUSHING, DRAWBOLT	1
4	62-010300		FLATWASHER, 3/4 PLT	1
5	68-010350		HEX NUT, 3/4	1
6	33-070-108		BRACKET, ANCHOR	1
7	33-070-008		PIVOT, IDLER	1
8	33-050-372		SPRING	1
9	33-070-109		ATTACHMENT, BOLT	1
10	03-051-015		BEARING, 3/4 BORE	2
11	04-050-001		RETAINING RING	1
12	48-091300		CAPSCREW, 3/4 X 2 1/4 G5 PLT	1
13	66-010350		LOCKWASHER, 3/4 PLT	1
14	48-100610		CAPSCREW, 1 X 5 1/2 G5 PLT	1
15	33-051-012		1" BORE BEARING	2
16	66-010450		LOCKWASHER, 1 PLT	2
17	70-010255		JAM NUT, 1	2
18	33-024-392		SPACER IDLER BEARING	1
19	70-010150		JAM NUT, 3/4 HEX	1
20	52-050048		CARRIAGE SCREW, 3/8 X 1 3/4 G5	4
21	66-010150		LOCKWASHER, 3/8	4
22	68-010150		HEX NUT, 3/8	4
23	54-010171		SETSCREW, 3/8 X 1 1/4	3
24	70-010051		JAM NUT, 3/8 PLT	3
25	48-090920		CAPSCREW, 5/8 X 1 3/4	1
26	72-020050		LOCKNUT, 5/8 PLT	1
27	48-100490		CAPSCREW, 1 X 3 1/4	1
28	62-020050		LOCKWASHER, 1 SAE	1
29	33-053-095		IDLER, 8" FLAT BELT	1

4RWB & 6-ROW #3 & #4 CYLINDER DRIVES (RT SIDE DRIVE)



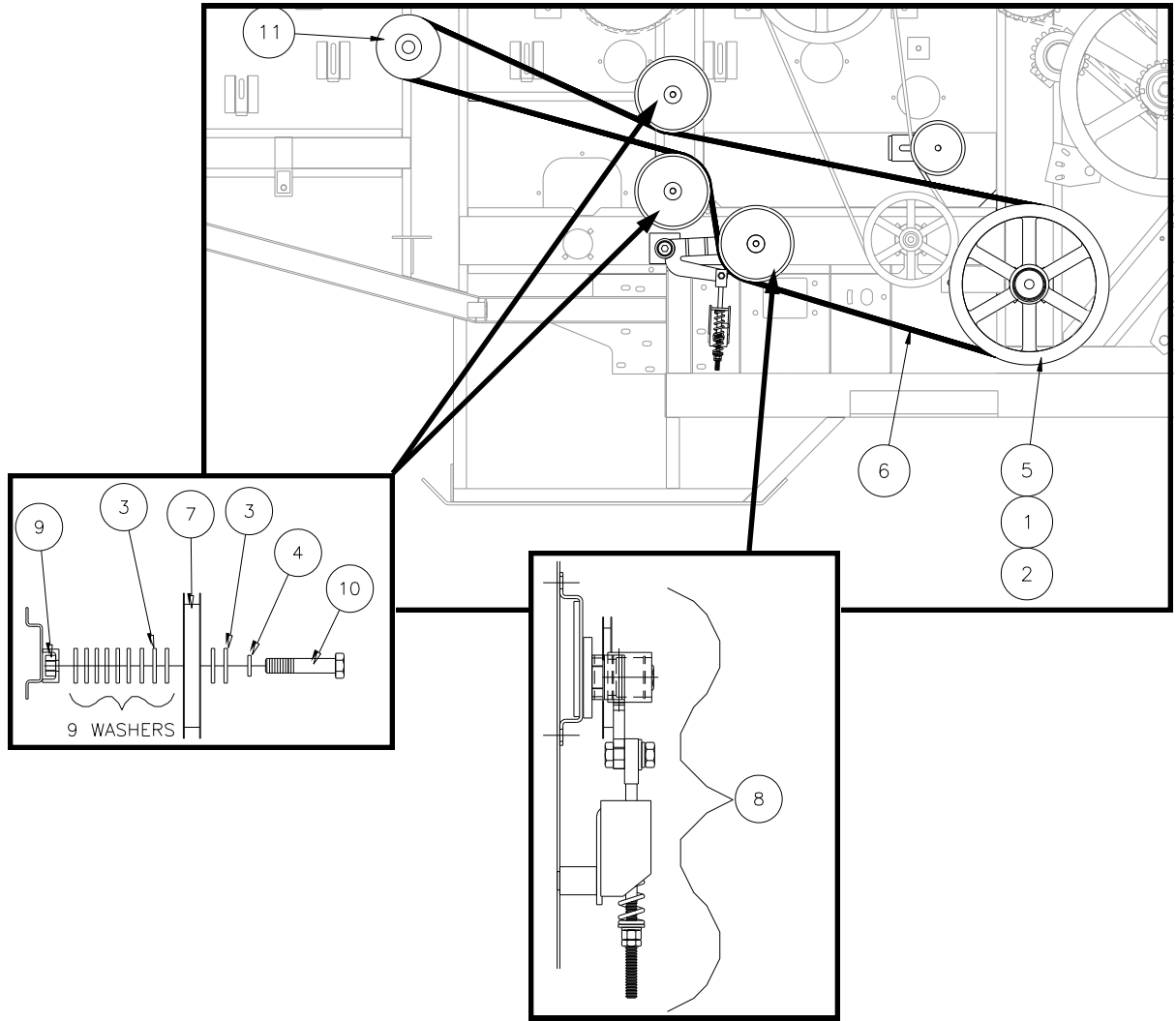
ITEM	PART NO	SERIAL NO OR YR	DESCRIPTION	QTY
1	33-053-028	(-2005)	BUSHING, Q1-1 3/4 TAPER	(2)
	33-053-152	(2006-)	TAPER BUSHING, Q1 X 2 3/16	2
2	33-053-031		SHEAVE, #3 CYLINDER	1
3	33-053-033	(2004-2005)	BUSHING, SF-QD 1 3/4 BORE	(2)
	33-053-151	(2006-)	TAPER BUSHING, SF-QD 2 3/16B	1
4	33-052-050		SPROCKET, 6020 Q8020	1
5	33-052-049		SPROCKET, 80Q3320	1
6	33-023-098		BLOCK , IDLER	2
7	33-053-076		V-BELT, C-110.9	1
8	33-053-075		SHEAVE, (1C-12.0-SF)	1
9	33-026-087		KEY, 3/8 X 2 1/2	4
10	33-052-001		CHAIN, RC-60H98P	1
11	33-052-003		CHAIN, RC-80H68P	1
12	48-090984		CAPSCREW, 5/8 X 2 1/2 G5 PLT	1
13	33-052-015		SPROCKET, #60 CHAIN IDLER	1
14	62-010250		FLATWASHER, 5/8 STD PLT	18
15	66-010300		LOCKWASHER, 5/8 PLT	3
16	33-052-052		IDLER, 80A12 SPROCKET	1
17	48-090100		CAPSCREW, 5/8 X 3 G5 PLT	2
18	03-053-023		SHEAVE	1
19	70-010100		JAM NUT, 1/2	1
20	68-010250		HEX NUT, 1/2	1
21	33-080-795		DRAWBOLT, IDLER	1
22	33-053-034		TAPER BUSHING, SF-QD 1 7/16B	1

**4RWB & 6-ROW #5, #6 & #7 CYLINDER DRIVES
(RT SIDE DRIVE)**



ITEM	PART NO	SERIAL NO OR YR	DESCRIPTION	QTY
1	33-052-075		BUSHING, P1 1 3/4"	1
2	33-053-028		BUSHING, Q1 - 1 3/4 TAPER	2
3	33-052-074		SPROCKET, H60P26	1
4	33-052-072		SPROCKET, 60Q5426	1
5	33-023-098		BLOCK, IDLER	2
6	33-026-087		KEY, 3/8 X 2 1/2	3
7	48-090984		CAPSCREW, 5/8 X 2 1/2 G5 PLT	2
8	33-052-015		SPROCKET, #60 CHAIN IDLER	1
9	62-010250		FLATWASHER, 5/8 PLT	10
10	66-010300		LOCKWASHER, 5/8 PLT	1
11	33-052-005		CHAIN, RC-60H86P	2
12	33-052-046		SPROCKET, 60Q2626	1

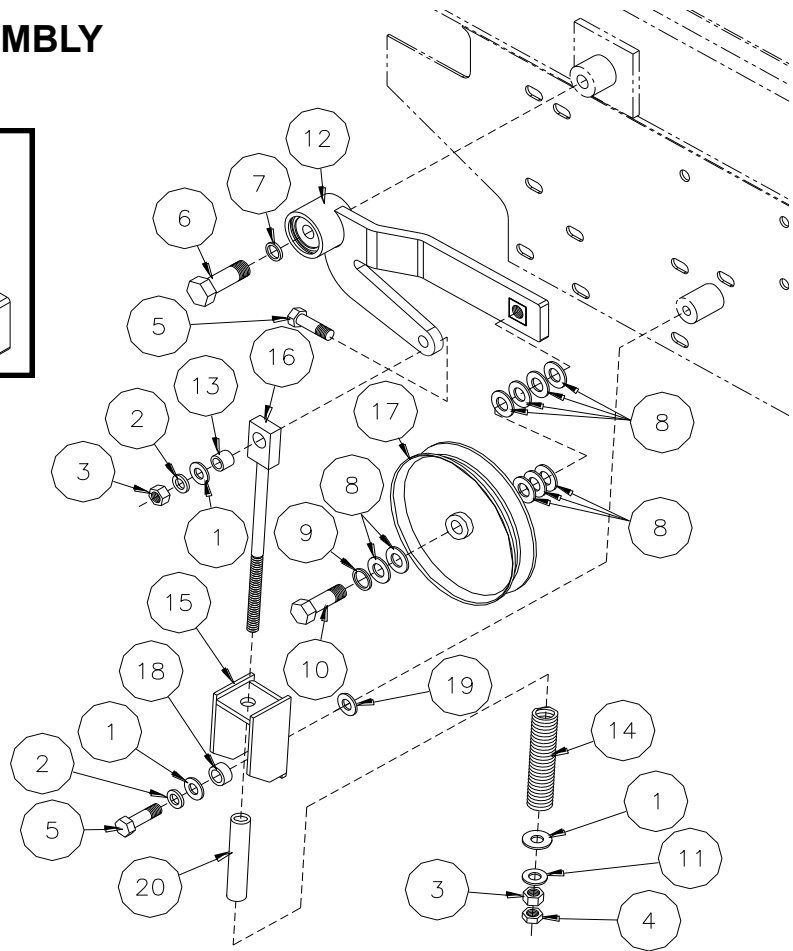
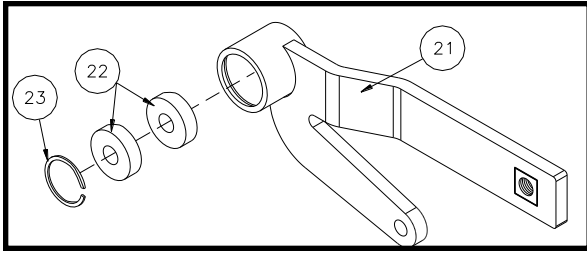
4RWB & 6-ROW AIR LIFT FAN DRIVES (RT SIDE DRIVE)



ITEM	PART NO	SERIAL NO OR YR	DESCRIPTION	QTY
1	33-053-148		BUSHING, SK-QD 1 3/4 BORE	1
2	33-026-087		KEY, 3/8 X 2 1/2	1
3	62-010250		FLATWASHER, 5/8 PLT	22
4	66-010300		LOCKWASHER, 5/8 PLT	2
5	33-053-190		SHEAVE, 2B-18.4	1
6	33-053-193		BELT, 2B-200	1
7	33-053-118		IDLER, 2 X 8	2
*8	33-081-365		ASSEMBLY, IDLER	1
9	33-023-097		BLOCK, DRAWBOLT	2
10	48-091000		CAPSCREW, 5/8 X 3	2
11	33-053-192	(-2004)	SHEAVE, 2B 7.4	(1)
	33-053-205	(2005-)	SHEAVE, 2B 8.0	1

* BREAKDOWN ON PAGE 44.

AIR LIFT IDLER ASSEMBLY (33-081-365)



ITEM	PART NO	SERIAL NO OR YR	DESCRIPTION	QTY
1	62-010200		FLATWASHER, 1/2 STD PLT	3
2	66-010250		LOCKWASHER, 1/2 REG PLT	2
3	68-010250		HEX NUT, 1/2 PLT	2
4	70-010100		JAM NUT, 1/2 PLN	1
5	48-090600		CAPSCREW, 1/2 X 2 G5 PLT	2
6	48-091300		CAPSCREW, 3/4 X 2 1/4 G5 PLT	1
7	66-010350		LOCKWASHER, 3/4 PLT	1
8	62-010250		FLATWASHER, 5/8 STD PLT	9
9	66-010300		LOCKWASHER, 5/8 REG PLT	1
10	48-091000		CAPSCREW, 5/8 X 3 G5 PLT	1
11	17-050-003		FLATWASHER, 1/2 HARDEN	1
12	33-081-329		ARM ELEVATOR IDLER	1
13	15-026-003		BUSHING, LINKAGE	1
14	11-050-009		SPRING, TAIL PLOW	1
15	33-070-205		BRACKET, SPRING	1
16	33-070-200		DRAWBOLT , ELEVATOR SPG IDLER	1
17	33-053-118		IDLER, 2 X 8	1

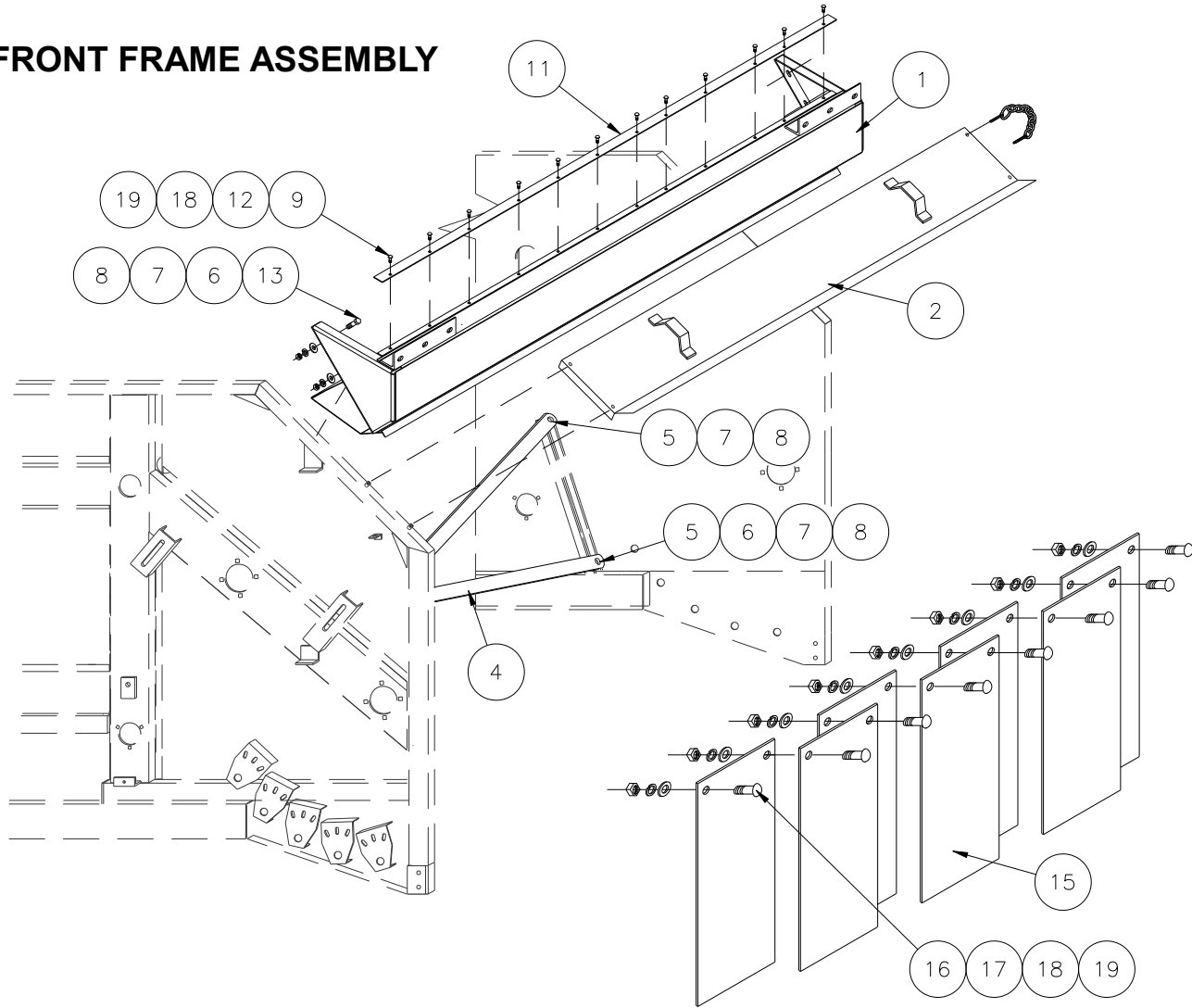
ITEM	PART NO	SERIAL NO OR YR	DESCRIPTION	QTY
18	04-024-020		BUSHING, 3/4 OD X 1/2 ID X 3/8	1
19	03-050-028		WASHER, 1 1/4 X 3/4	1
20	33-024-498		STOP, ELVATOR SPRING	1

ARM ELEVATOR IDLER
(33-081-329)

ITEM	PART NO	SERIAL NO OR YR	DESCRIPTION	QTY
21	33-070-329		ARM, ELEVATOR IDLER	1
22	03-051-015		CUP, BEARING	2
23	04-050-001		RING, 1 3/4 INTERNAL RETAINING	1



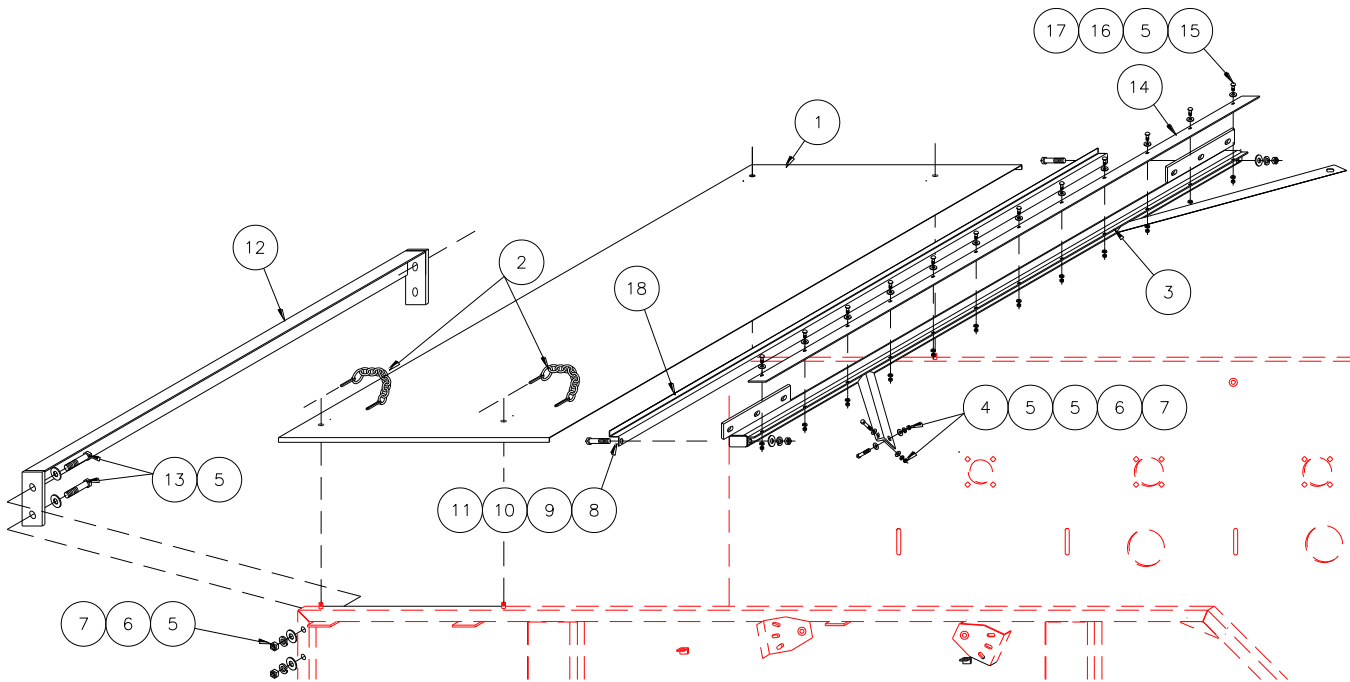
FRONT FRAME ASSEMBLY



ITEM	PART NO	SERIAL NO OR YR	DESCRIPTION	QTY
1	33-080-643	(-2004)	CROSS MEMBER, FRONT	(1)
	33-070-317	(2005-)	CROSS MEMBER, FRONT	1
2	33-027-954	(-2009)	COVER, FRONT	(1)
	33-070-369	(2010-)	ASSEMBLY, TOP COVER	1
3	33-027-908	(-2004)	COVER, FRAME	(1)
4	33-023-747		STRAP, CROSS BRACE	2
5	48-090170		CAPSCREW, 3/8 X 1 1/2 G5 PLT	5
6	62-010100		FLATWASHER, 3/8 PLT	6
7	66-010150		LOCKWASHER, 3/8 PLT	13
8	68-010150		HEX NUT, 3/8 PLT	8
9	48-030100		CAPSCREW, 5/16 X 3/4	12
10	33-027-938	(-2004)	BAFFLE, #1 CYLINDER	1
11	33-050-421		SEAL, TANK	1
12	66-010099		FLATWASHER, 3/8 PLT	12

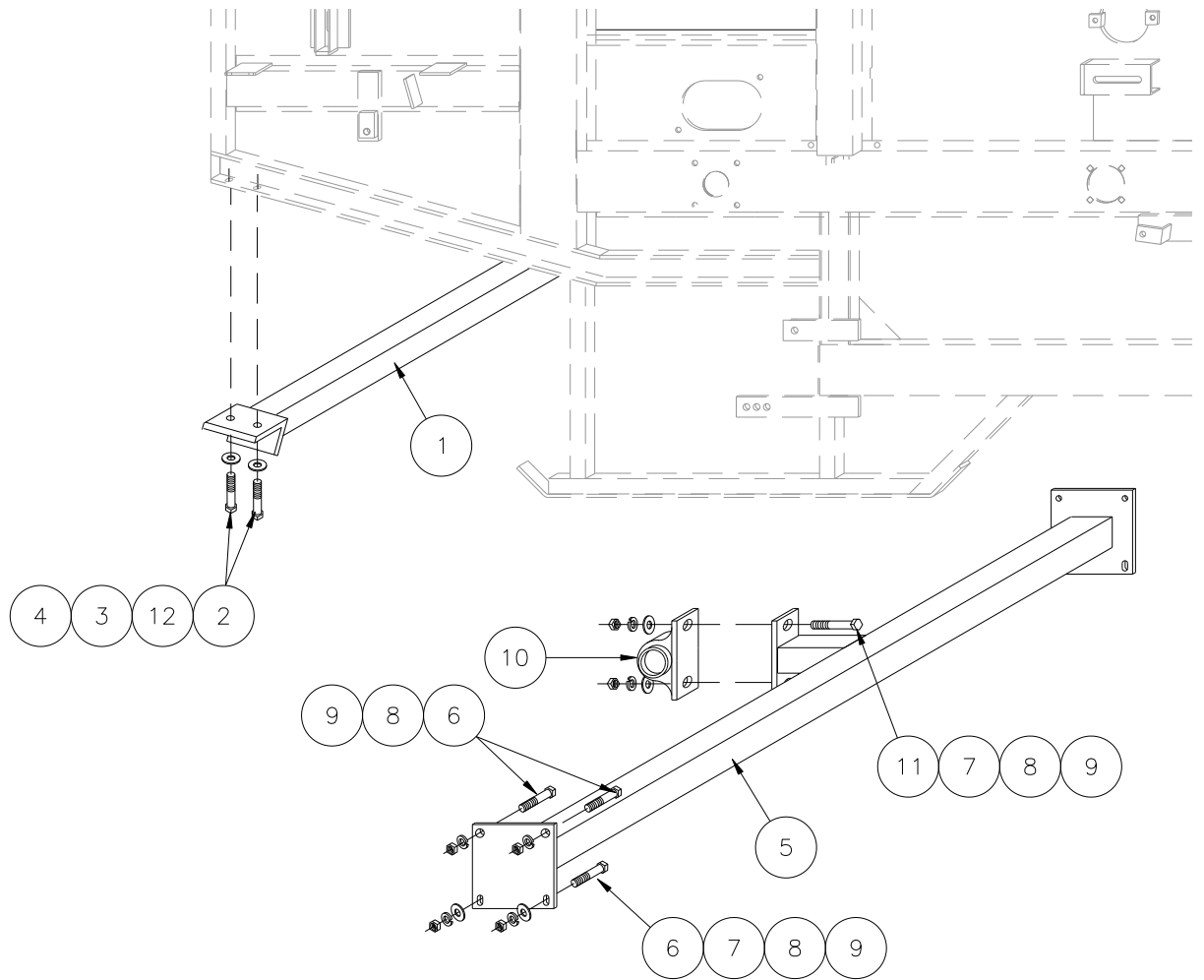
ITEM	PART NO	SERIAL NO OR YR	DESCRIPTION	QTY
13	48-090210		CAPSCREW, 3/8 X 2 1/4 G5 PLT	4
14	33-050-031		KLIK PIN W/CHAIN & COTTER PIN	4
15	33-050-216		CURTAIN, DIRT SHIELD	7
16	52-050010		CARRIAGE SCREW, 5/16 X 1	15
17	62-010050		FLATWASHER, 5/16	15
18	66-010100		LOCKWASHER, 5/16	27
19	68-010100		HEX NUT, 5/16	27

REAR TOP FRAME ASSEMBLY



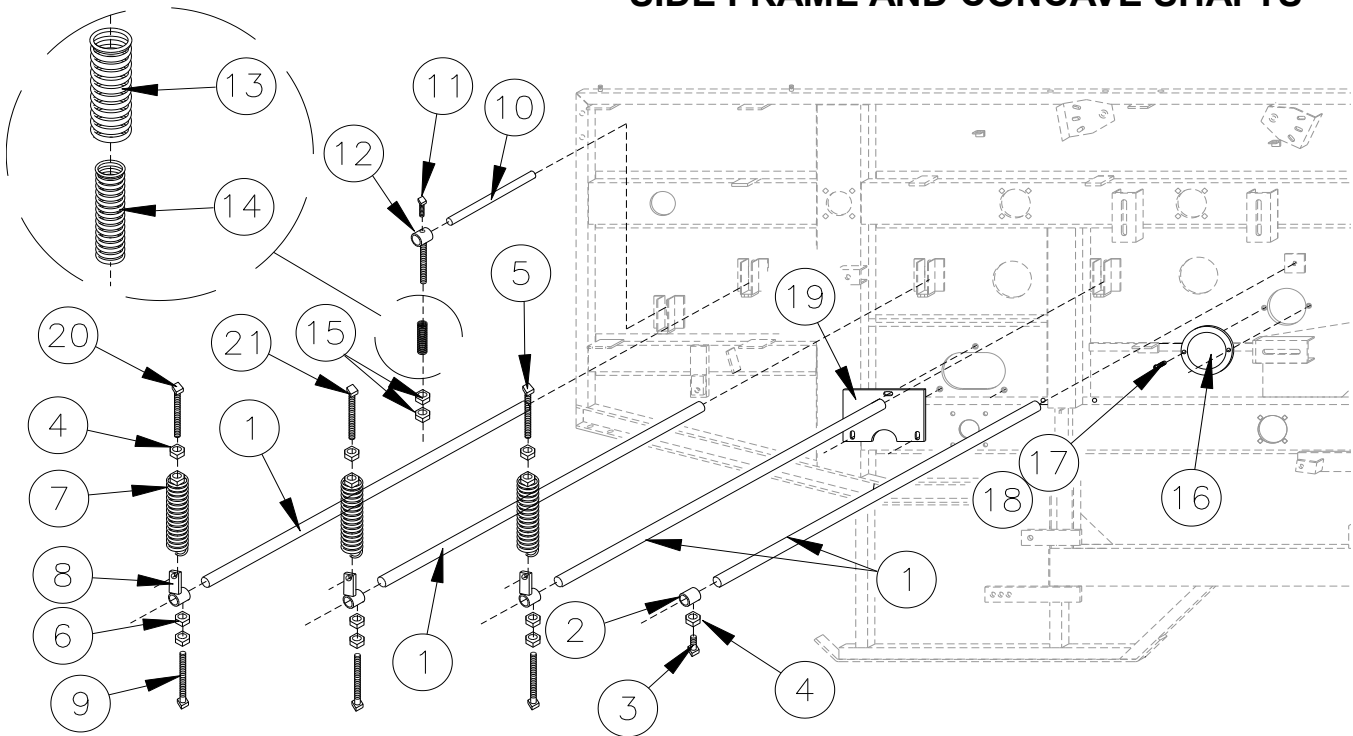
ITEM	PART NO	SERIAL NO OR YR	DESCRIPTION	QTY
1	33-080-665		COVER, REAR	1
2	33-050-031		KLIK PIN W/CHAIN & COTTER PIN	4
3	33-080-646	(-2004)	CROSS MEMBER, REAR	(1)
	33-070-327	(2005-)	CROSS MEMBER, REAR	1
4	48-090150		CASPSCREW, 3/8 X 1 1/4 G5 PLT	4
5	62-010150		FLATWASHER, 3/8 PLT	26
6	66-010150		LOCKWASHER, 3/8 PLT	8
7	68-010150		HEX NUT, 3/8 PLT	8
8	48-090860		CAPSCREW, 1/2 X 4 1/4 G5 PLT	2
9	62-010200		FLATWASHER, 1/2 PLT	2
10	66-010250		LOCKWASHER, 1/2	2
11	68-010250		HEX NUT, 1/2	2
12	33-080-668		BRACE, FRAME REAR	1
13	48-090240		CAPSCREW, 3/8 X 2 3/4 G5 PLT	4
14	33-050-421		SEAL, TANK	1
15	52-030100		CARRIAGE SCREW, 5/16 X 3/4	12
16	66-010100		LOCKWASHER, 5/16	12
17	68-010100		HEX NUT, 5/16	12
18	33-028-938		REAR DECK EXTENSION (SLOT)	1

REAR BOTTOM FRAME ASSEMBLY



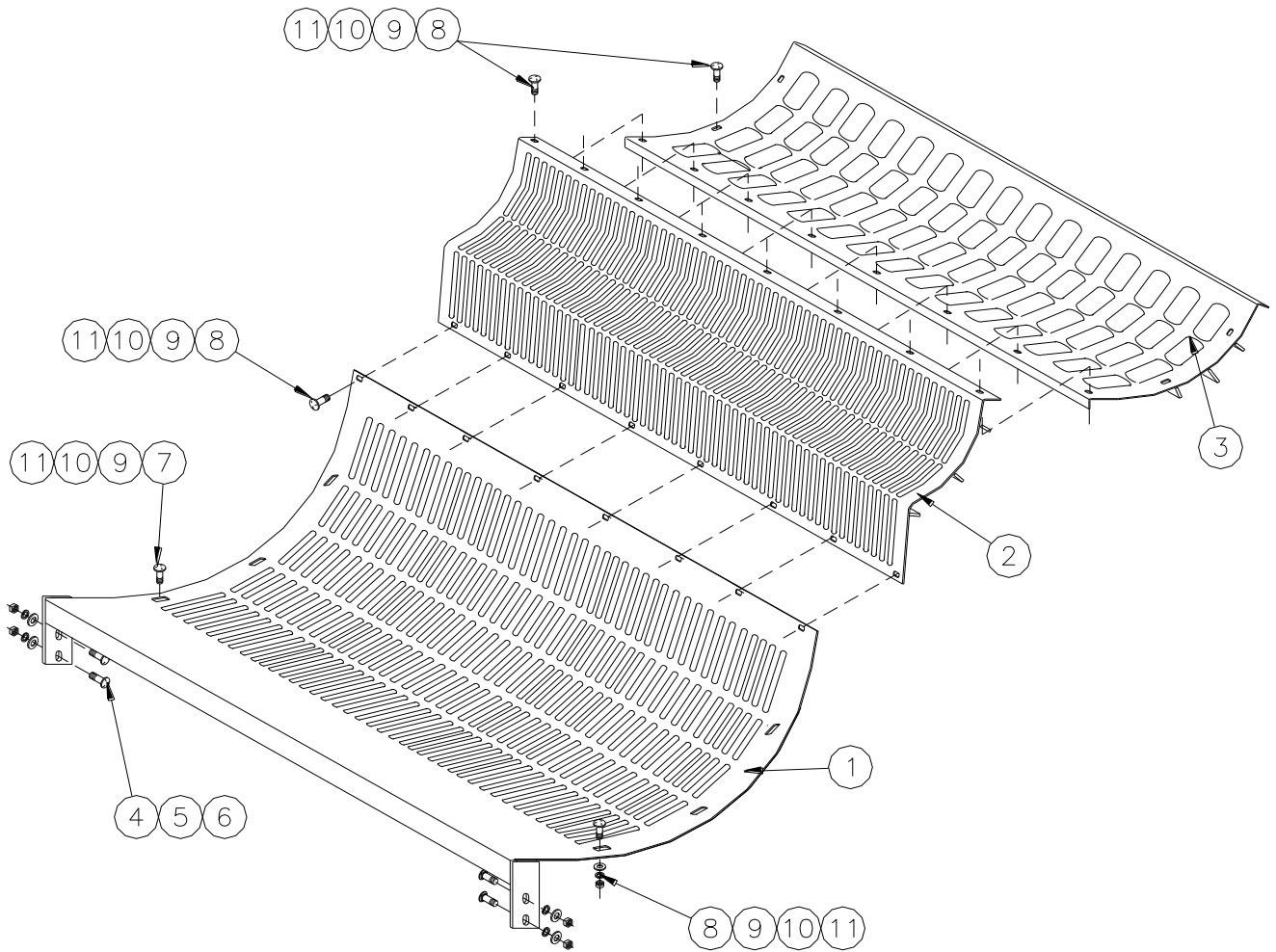
ITEM	PART NO	SERIAL NO OR YR	DESCRIPTION	QTY
1	33-080-661		BRACE, FRAME	1
2	48-090150		CAPSCREW, 3/8 X 1 1/4 G5 PLT	4
3	66-010150		LOCKWASHER, 3/8	4
4	68-010150		HEX NUT, 3/8	4
5	33-070-296		CROSS MEMBER	1
6	48-090592		CAPSCREW, 1/2 X 1 1/4 G5 PLT	8
7	62-010200		FLATWASHER, 1/2	6
8	66-010250		LOCKWASHER, 1/2	10
9	68-010250		HEX NUT, 1/2	10
10	33-051-048		BEARING, 1 3/4	1
11	48-090625		CAPSCREW, 1/2 X 2 1/2 G5 PLT	2
12	64-010025		WASHER, 3/8 BEVEL	4

SIDE FRAME AND CONCAVE SHAFTS



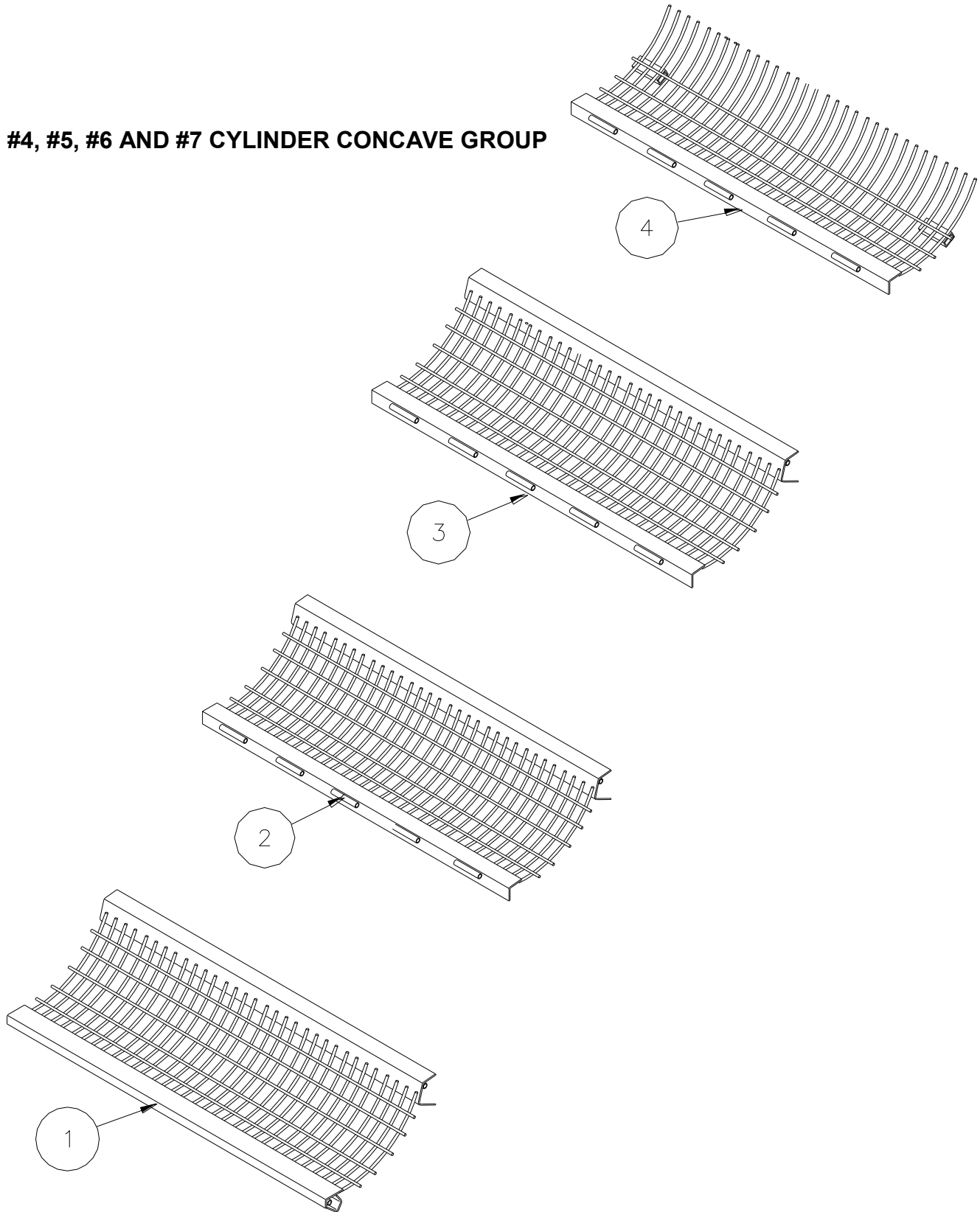
ITEM	PART NO	SERIAL NO OR YR	DESCRIPTION	QTY
1	33-026-208		SHAFT, CONCAVE PIVOT	4
2	33-024-085		COLLAR THD, CONCAVE PIVOT	2
3	54-010100		SETSCREW, 3/8 X 3/4 SQ HD	2
4	70-010051		JAM NUT, 3/8 PLT	14
5	48-090555		CAPSCREW, 7/16 X 4	2
6	70-010071		JAM NUT, 7/16	6
7	15-081-025		DOWN PRESSURE SPRING	6
8	33-080-222		LEVER, SPRING LOWER	6
9	54-010178		SETSCREW, 3/8 X 4	6
10	33-026-198		SHAFT, #7 CONCAVE PIVOT	2
11	54-010170		SETSCREW, 3/8 X 1	2
12	33-080-420		CONCAVE, ADJ. WELDMENT	2
13	33-050-235		SPRING, 3 X 1 7/32	2
14	11-050-024		SHIELD SPRING	2
15	68-010200		HEX NUT, 7/16	4
16	33-027-342		INSPECTION COVER—ROUND	6
17	58-020102		SETSCREW, 1/4 X 3/4 SLOTTED RD HD	12
18	33-050-101		NUTSERT, 1/4-20	12
19	33-028-219		COVER, INSPECTION PORT	2
20	48-090560		CAPSCREW, 7/16 X 5	2
21	48-090540		CAPSCREW., 7/16 X 3	2

#1, #2 AND #3 CYLINDER CONCAVE GROUP



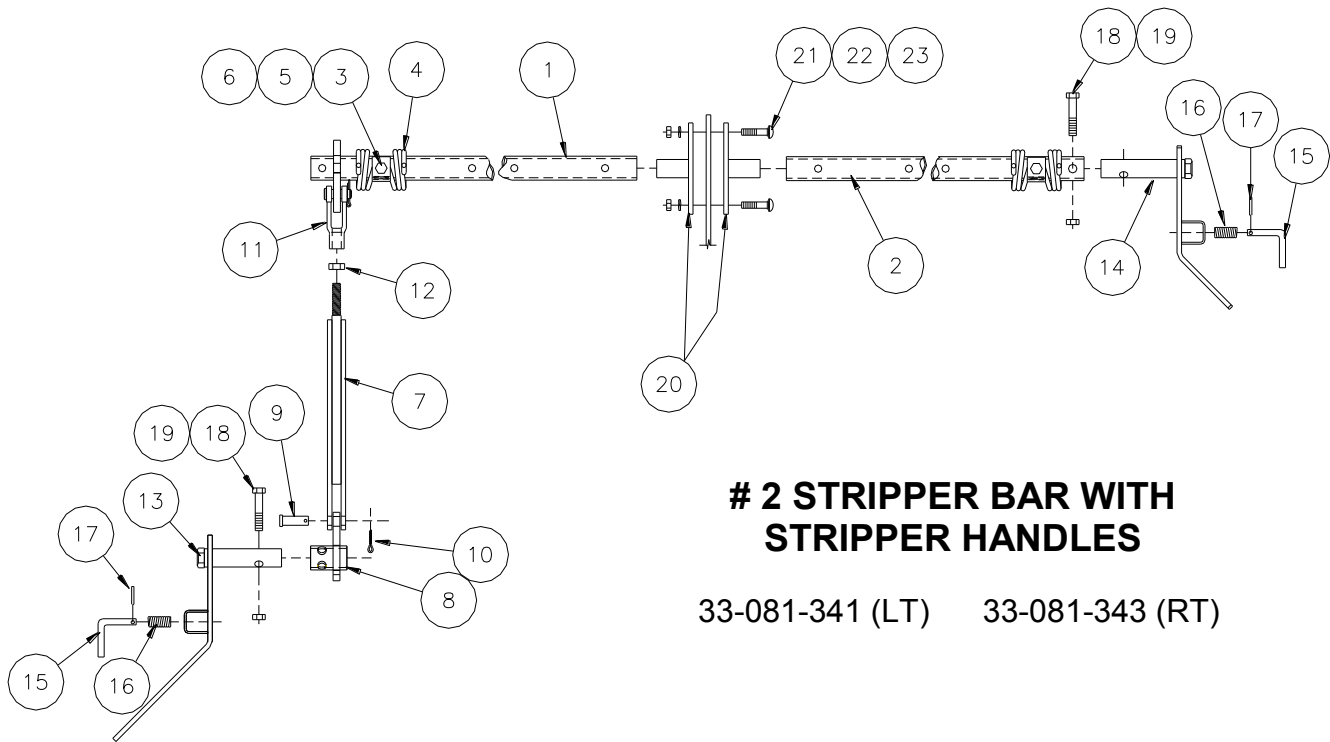
ITEM	PART NO	SERIAL NO OR YR	DESCRIPTION	QTY
1	33-080-574		CONCAVE, #1 CYLINDER	1
2	33-070-217		CONCAVE, #2 CYLINDER	1
3	33-080-572		CONCAVE, #3 CYLINDER	1
4	52-050140		CARRIAGE SCREW, 1/2 X 1 1/2 G5 PLT	4
5	66-010250		LOCKWASHER, 1/2	4
6	68-010250		HEX NUT, 1/2	4
7	52-050010		CARRIAGE SCREW, 5/16 X 1 G5 PLT	10
8	52-050019		CARRIAGE SCREW, 5/16 X 1 1/4 G5 PLT	18
9	62-010050		FLATWASHER, 5/16	28
10	66-010100		LOCKWASHER, 5/16	28
11	68-010100		HEX NUT, 5/16	28

#4, #5, #6 AND #7 CYLINDER CONCAVE GROUP



ITEM	PART NO	SERIAL NO OR YR	DESCRIPTION	QTY
1	33-080-583		CONCAVE, #4 CYLINDER	1
2	33-070-280		CONCAVE, #5 CYLINDER	1
3	33-080-584		CONCAVE, #6 CYLINDER	1
4	33-080-585		CONCAVE, #7 CYLINDER	1

BLANK
PAGE



2 STRIPPER BAR WITH STRIPPER HANDLES

33-081-341 (LT) 33-081-343 (RT)

ITEM	PART NO	SERIAL NO OR YR	DESCRIPTION	-341	-343
1	33-070-223		STRIPPER BAR, #2 LT (45 5/8")	1	-
2	33-024-232		STRIPPER BAR, #2 LT (44 3/8")	-	1
3	33-027-078		CLIP	9	9
4	33-050-005		SPRING	9	9
5	48-090210		CAPSCREW, 3/8 X 2 1/4 G5 PLT	9	9
6	72-010051		LOCKNUT, 3/8 W/INSERT HVY	9	9

#2 STRIPPER LINKAGE

(33-081-342)

ITEM	PART NO	SERIAL NO OR YR	DESCRIPTION	QTY
7	33-070-221		ARM, STRIPPER LINKAGE	1
8	33-070-222		PIVOT, HANDLE ARM	1
9	31-050-105		PIN, 1/2 X 1 27/64	1
10	76-010180		COTTER PIN, 1/8 X 1	1
11	33-050-366		YOKE, 1/2-13 X 3	1
12	70-010100		JAM NUT, 1/2	1

#2 LT STRIPPER HANDLE

(33-081-339)

#2 RT STRIPPER HANDLE

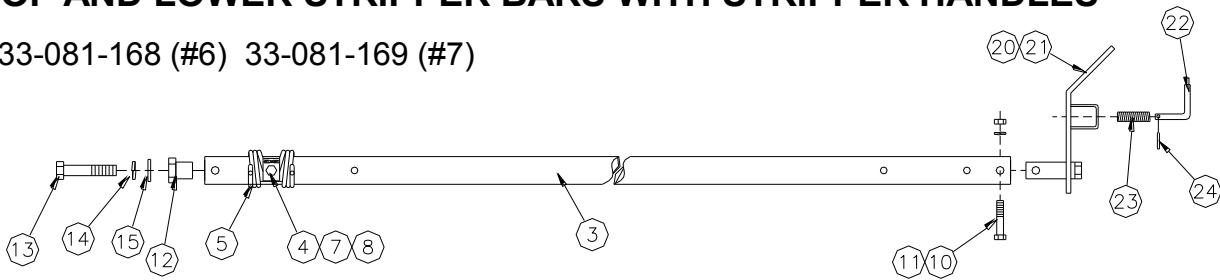
(33-081-340)

ITEM	PART NO	SERIAL NO OR YR	DESCRIPTION	-339	-340
13	33-070-219		HANDLE, #2 LT STRIPPER	1	-
14	33-070-220		HANDLE, #2 RT STRIPPER	-	1
15	33-026-191		PIN, 91 STRIPPER	1	1
16	33-050-064		SPRING, 1/2 X 1 1/2	1	1
17	17-050-008		PIN, 1/8 X 3/4 ROLL	1	1

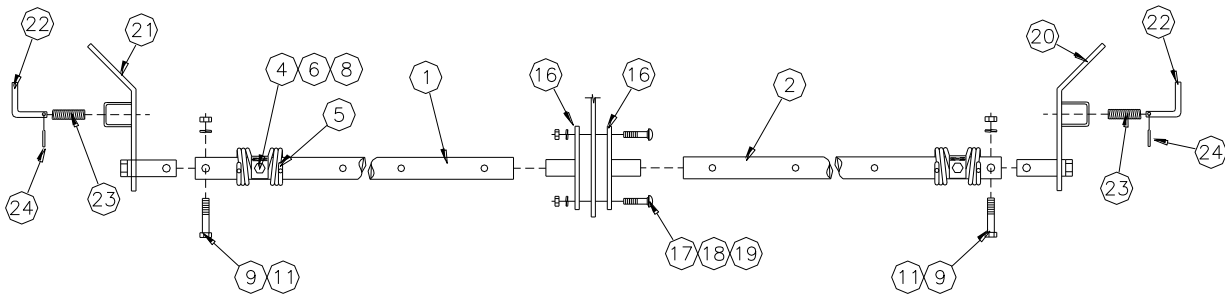
ITEM	PART NO	SERIAL NO OR YR	DESCRIPTION	QTY
18	48-090500		CAPSCREW, 7/16 X 2 1/4 G5 PLT	2
19	72-010075		LOCKNUT, 7/16	2
20	33-080-586		PIVOT, STRIPPER BAR	2
21	52-050019		CARRIAGE SCREW, 5/16 X 1 1/4	2
22	66-010100		LOCKWASHER, 5/16	2
23	68-010100		HEX NUT, 5/16	2

TOP AND LOWER STRIPPER BARS WITH STRIPPER HANDLES

33-081-168 (#6) 33-081-169 (#7)



33-081-166 (LT) 33-081-167 (RT)



ITEM	PART NO	SERIAL NO OR YR	DESCRIPTION	-166	-167	-168	-169
1	33-024-232		BAR, LT STRIPPER, 44 3/8"	1	-	-	-
2	33-024-233		BAR, STRIPPER, 45 5/8"	-	1	-	-
3	33-080-597		BAR, 6R STRIPPER	-	-	1	1
4	33-027-078		CLIP	9	9	18	18
5	33-050-005		SPRING	9	9	18	18
6	48-090210		CAPSCREW, 3/8 X 2 1/4 G5 PLT	9	9	-	-
7	48-090240		CAPSCREW, 3/8 X 2 3/4 G5 PLT	-	-	18	18
8	72-010051		LOCKNUT, 3/8 W/INSERT HVY	9	9	18	18
9	48-090450		CAPSCREW, 7/16 X 2 G5 PLT	1	1	-	-
10	48-090500		CAPSCREW, 7/16 X 2 1/4	-	-	1	1
11	72-010075		LOCKNUT, 7/16 PLT	1	1	1	1
12	33-026-028		STRIPPER BUSHING	-	-	1	1
13	48-010200		CAPSCREW, 1/2 X 1 1/2 G5 PLT	-	-	1	1
14	66-010250		LOCKWASHER, 1/2	-	-	1	1
15	62-010250		FLATWASHER, 1/2	-	-	1	1
16	33-080-586		PIVOT STRIPPER BAR	1	1	-	-
17	52-050019		CARRIAGE SCREW, 5/16 X 1 1/4	1	1	-	-
18	66-010100		LOCKWASHER, 5/16	1	1	-	-
19	68-010100		HEX NUT, 5/16	1	1	-	-

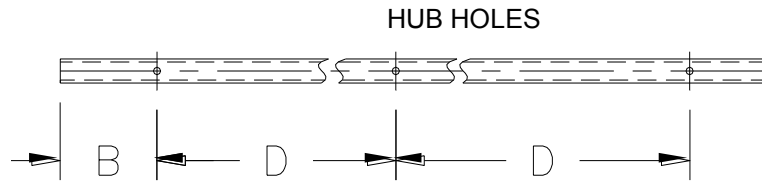
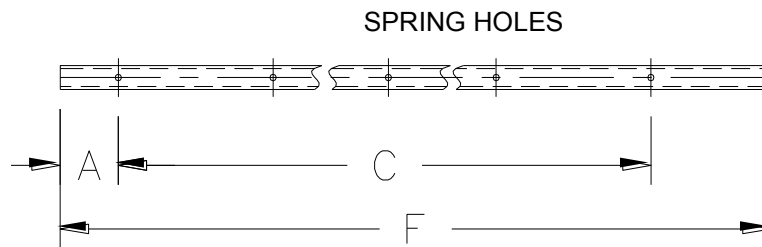
STRIPPER HANDLE
(33-081-054) (7 Per Machine)

LT STRIPPER HANDLE
(33-081-097) (5 Per Machine)

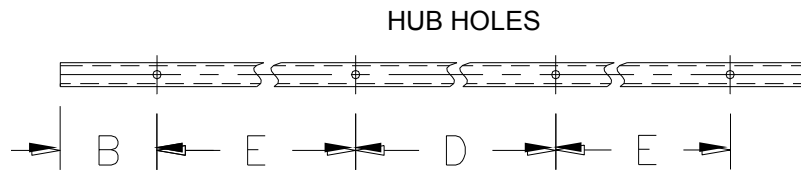
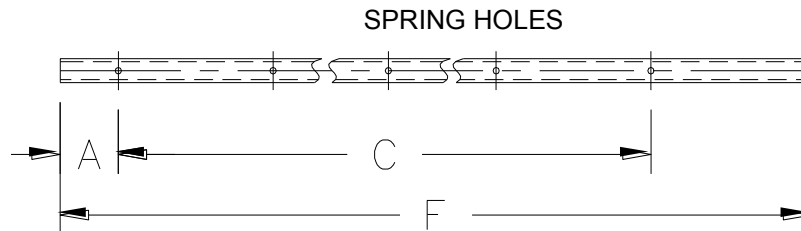
ITEM	PART NO	SERIAL NO OR YR	DESCRIPTION	-054	-097
20	33-080-219		HANDLE, STRIPPER	1	-
21	33-080-411		HANDLE, LT STRIPPER	-	1
22	33-026-191		PIN, 91 STRIPPER	1	1
23	33-050-064		SPRING, 1/2 X 1 1/2	1	1
24	17-050-008		PIN, 1/8 X 3/4 ROLL	1	1

CHART FOR IDENTIFYING CYLINDER BARS

CYLINDER BAR # 'S 33-024-227 & 33-024-228



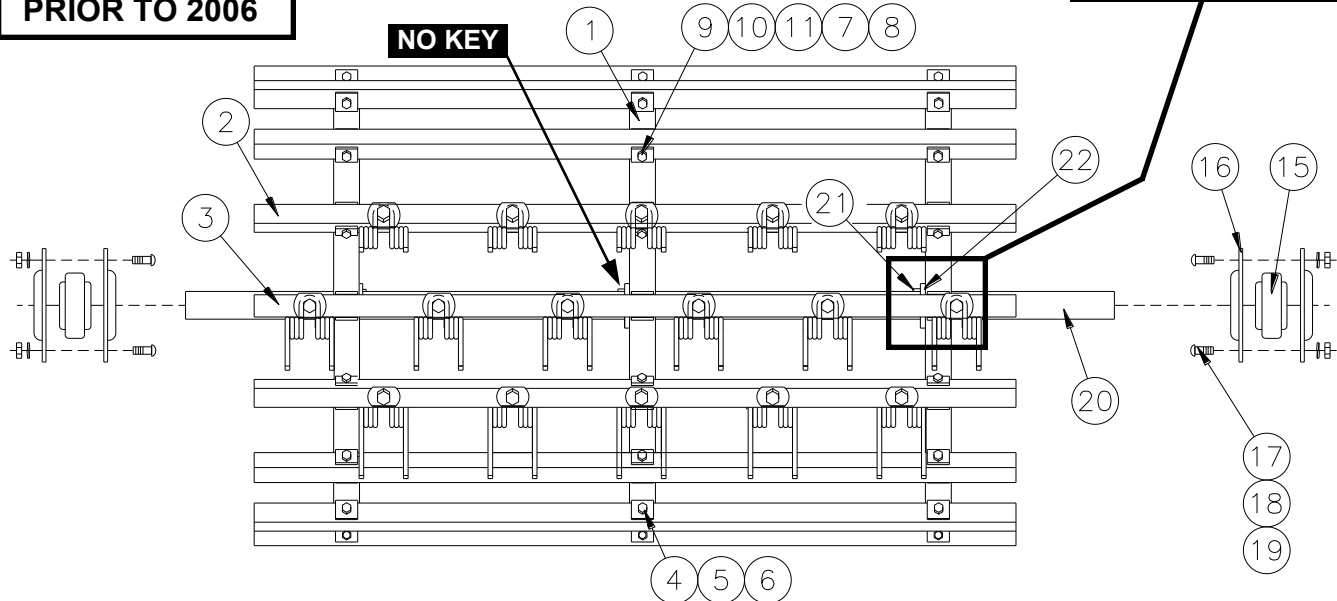
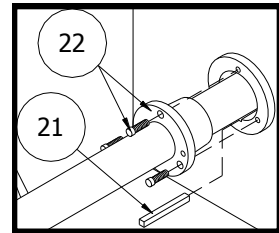
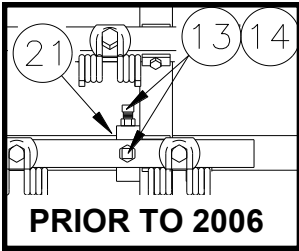
CYLINDER BAR # 'S 33-024-387 & 33-024-388



PART NO	DIM "A"	DIM "B"	DIM "C"	DIM "D"	DIM "E"	DIM "F"
33-024-227	3 3/4"	6 1/4"	9 HOLES @ 10" CENTERS	40"	-	91 1/2"
33-024-228	2 3/4"	5 1/4"		40"	-	91 1/2"
33-024-387	3 3/4"	6 1/4"		40"	20	91 1/2"
33-024-388	2 3/4"	5 1/4"		40"	20	91 1/2"

NO. 1 CYLINDER

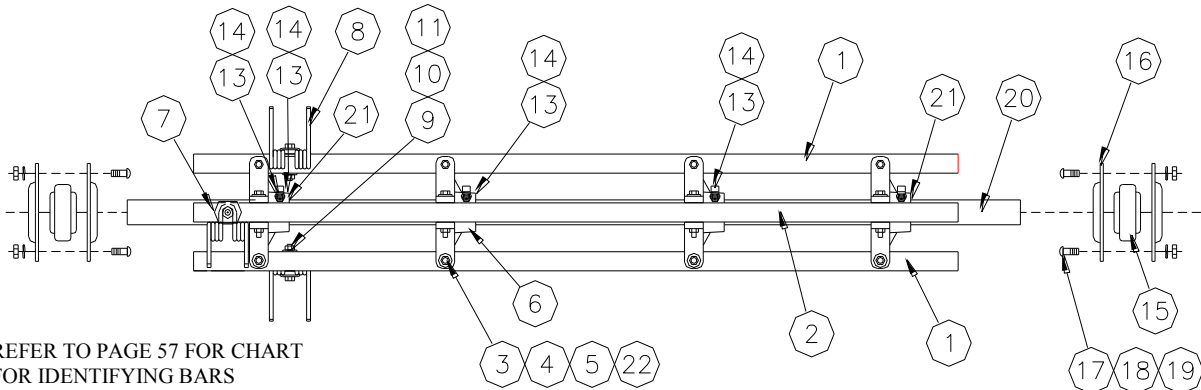
REFER TO PAGE 57 FOR CHART
FOR IDENTIFYING BARS



ITEM	PART NO	SERIAL NO OR YR	DESCRIPTION	QTY
1	33-080-327	(-2005)	END	(3)
	33-070-339	(2006-)	END, #1 CYLINDER	3
2	33-024-228		CYLINDER BAR 6R STD "B"	8
3	33-024-227		CYLINDER BAR 6R STD "A"	8
4	48-090520		CAPSCREW, 7/16 X 2 1/2 G5 PLT	48
5	62-010150		FLATWASHER, 7/16 PLT	48
6	72-010075		LOCKNUT, 7/16 G5 PLT	48
7	33-027-249		CLIP, SPRING	144
8	33-050-004		SPRING	144
9	72-010051		LOCKNUT, 3/8 PLT W/ NYLON INSERT	144
10	62-010100		FLATWASHER, 3/8 PLT	144
11	48-090240		CAPSCREW, 3/8 X 2 3/4 G5 PLT	144
13	54-010253	(-2005)	SETSCREW, 1/2 X 1 1/4	6
14	70-010100	(-2005)	JAM NUT, 1/2	(6)
15	33-051-065	(-2005)	BEARING INT. JACKSHAFT (1 15/16")	(2)
	33-051-072	(2006-)	BEARING, 2 3/16"	2
16	02-051-051	(-2005)	FLANGE, G90 MSB 4H	(4)
	02-051-036	(2006-)	FLANGE, G100 MSB 4H	4
17	52-050125		CARRIAGE SCREW, 1/2 X 1 1/4	8
18	66-010250		LOCKWASHER, 1/2	8
19	68-010250		HEX NUT, 1/2	8

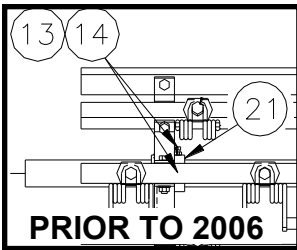
ITEM	PART NO	SERIAL NO OR YR	DESCRIPTION	QTY
20	33-026-221	(2000-2005)	CYLINDER SHAFT #1, 6R	(1)
	33-026-375	(2006-)	CYLINDER SHAFT #1, 6R	1
21	02-026-126	(-2005)	KEY, 1/2 X 2 7/8	(2)
	33-026-380	(2006-)	KEY, 1/2 X 3/4 X 2 1/2	2
22	33-053-152	(2006-)	TAPER BUSHING, Q1 X 2 3/16	3

NO. 2 CYLINDER



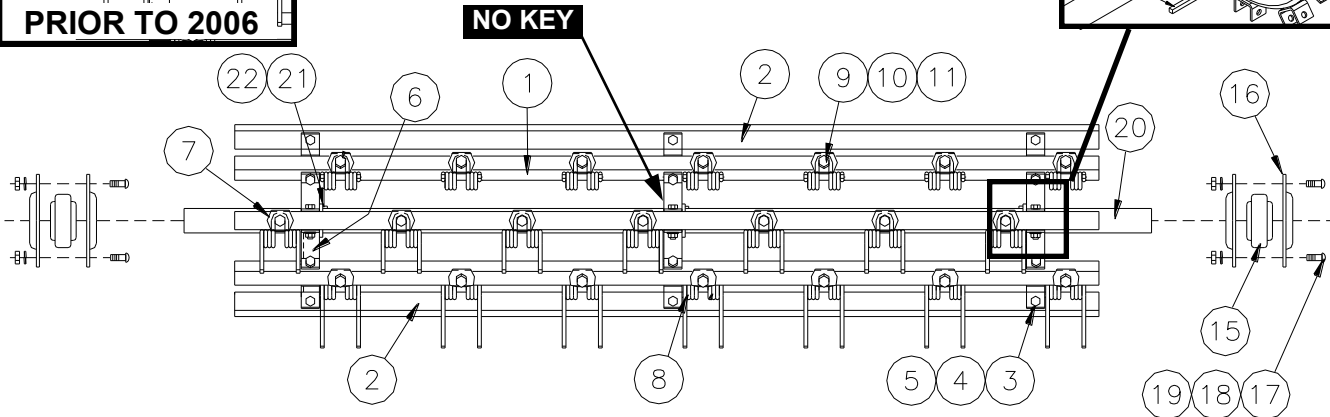
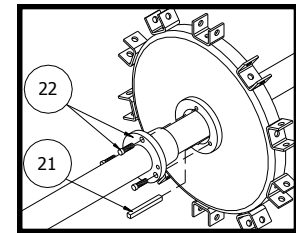
ITEM	PART NO	SERIAL NO OR YR	DESCRIPTION	QTY
1	33-024-387		CYLINDER BAR, LT 6R #2	2
2	33-024-388		CYLINDER BAR, RT 6R #2	2
3	72-010105		LOCKNUT, 1/2 PLT	16
4	66-010250		LOCKWASHER, 1/2 PLT	16
5	48-200250		CAPSCREW, 7/12 X 3 1/2 G8 NF PLT	16
6	33-057-018		CYLINDER HUB, #2	4
7	33-027-249		CLIP, SPRING	36
8	33-050-004		SPRING	36
9	72-010051		LOCKNUT, 3/8 W/NYLON INSERT	36
10	62-010100		FLATWASHER, 3/8 PLT	36
11	48-090240		CAPSCREW, 3/8 X 2 3/4 PLT	36
13	54-010253		SETSCREW, 1/2 X 1 1/4	8
14	70-010100		JAM NUT, 1/2	8
15	33-051-072		BEARING, 2 3/16 FLANGE	2
16	02-051-036		FLANGE, G100 MSB 4H	4
17	52-050125		CARRIAGE SCREW, 1/2 X 1 1/4	8
18	66-010250		LOCKWASHER, 1/2	8
19	68-010250		HEX NUT, 1/2	8
20	33-026-303		CYLINDER SHAFT, #2	1
21	02-026-126		KEY, 1/2 X 2 7/8	2
*22	15-050-005		WASHER, 1.125 X .76 X .030	8

*USE AS NEEDED



NO. 3 & NO. 4 CYLINDER

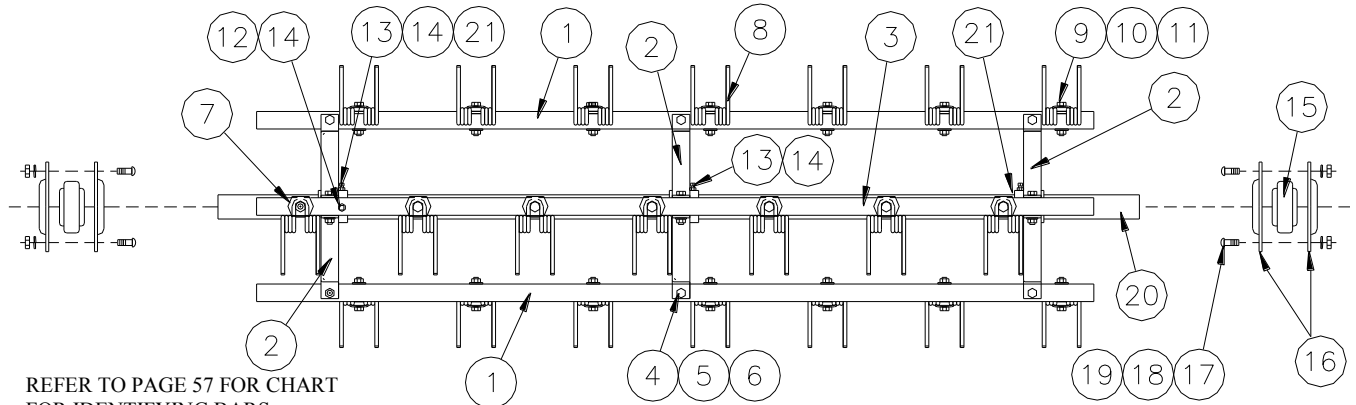
REFER TO PAGE 57 FOR CHART
FOR IDENTIFYING BARS



ITEM	PART NO	SERIAL NO OR YR	DESCRIPTION	#3 QTY	#4 QTY
1	33-024-228		CYLINDER BAR, 6R STD "B"	5	5
2	33-024-227		CYLINDER BAR, 6R STD "A"	5	5
3	48-090520		CAPSCREW, 7/16 X 2 1/2 G5 PLT	30	30
4	62-010150		FLATWASHER, 7/16	30	30
5	72-010075		LOCKNUT, 7.16	30	30
6	33-080-165	(-2005)	END, #3 CYLINDER	(3)	-
	33-070-340	(2006-)	END, #3 CYLINDER	3	-
	33-080-577	(-2005)	END, 6R #4 CYLINDER	-	(3)
	33-070-341	(2006-)	END, 6R #4 CYLINDER	-	3
7	33-027-249		CLIP	90	90
8	33-050-004		CYLINDER SPRING	90	90
9	72-010051		LOCKNUT, 3/8 W/NYLON INSERT	90	90
10	62-010100		FLATWASHER, 3/8	90	90
11	48-090240		CAPSCREW, 3/8 X 2 3/4	90	90
13	54-010253		SETSCREW, 1/2 X 1 1/4	6	6
14	70-010100		JAM NUT, 1/2	6	6
15	33-051-002	(-2005)	BEARING, 1 3/4B	(2)	(2)
	33-051-072	(2006-)	BEARING, 2 3/16B	2	2
16	02-051-038	(-2005)	FLANGE, G-85 MSB 4H	(4)	(4)
	02-051-036	(2006-)	FLANGE, G100 MSB 4H	4	4
17	52-050125		CARRIAGE SCREW, 1/2 X 1 1/4	8	8
18	66-010250		LOCKWASHER, 1/2	8	8
19	68-010250		HEX NUT, 1/2	8	8

ITEM	PART NO	SERIAL NO OR YR	DESCRIPTION	#3 QTY	#4 QTY
20	33-026-223	(-2005)	SHAFT #3 CYLINDER	(1)	-
	33-026-376	(2006-)	SHAFT #3 CYLINDER	1	-
	33-026-224	(-2005)	SHAFT #4 CYLINDER	-	(1)
	33-026-377	(2006-)	SHAFT #4 CYLINDER	-	1
21	33-026-087		KEY, 3/8 X 2 1/2	2	2
22	33-053-152	(2006-)	TAPER BUSHING, Q1 X 2 3/16	3	3

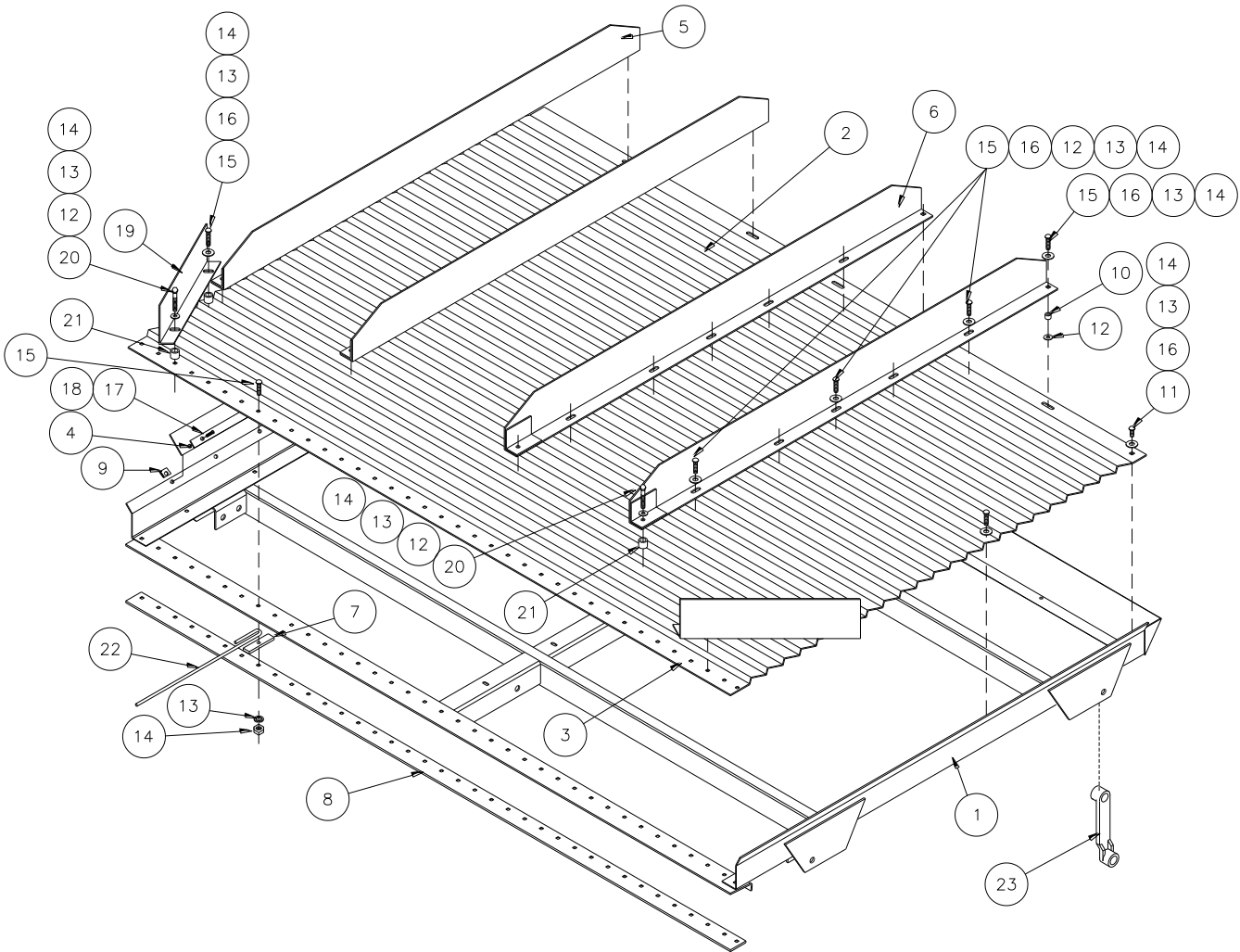
NO. 5, NO. 6, & NO. 7 CYLINDER



REFER TO PAGE 57 FOR CHART FOR IDENTIFYING BARS

ITEM	PART NO	SERIAL NO OR YR	DESCRIPTION	#5 QTY	#6 QTY	#7 QTY
1	33-024-228		CYLINDER BAR, 6R STD "B"	2	2	2
2	33-080-578		END, 6R #5 - #7 CYL.	3	3	3
3	33-024-227		CYL BAR, 6R STD "A"	2	2	2
4	62-010150		FLATWASHER, 7/16	12	12	12
5	72-010075		LOCKNUT, 7/16	12	12	12
6	48-090520		CAPSCREW, 7/16 X 2 1/2	12	12	12
7	33-027-249		CLIP	36	36	36
8	33-050-004		CYLINDER SPRING	36	36	-
	33-050-023		REAR CYL. SPRING	-	-	36
9	72-010051		LOCKNUT, 3/8 W/NYLON	36	36	36
10	62-010100		FLATWASHER, 3/8	36	36	36
11	48-090240		CAPSCREW, 3/8 X 2 3/4	36	36	36
13	54-010253		SETSCREW, 1/2 X 1 1/4	6	6	6
14	70-010100		JAM NUT, 1/2	6	6	6
15	33-051-002		BEARING, 1 3/4B	2	2	2
16	02-051-038		G-85 MSB 4H FLANGE	4	4	4
17	52-050125		CARRIAGE SCW, 1/2 X 1 1/4	8	8	8
18	66-010250		LOCKWASHER, 1/2	8	8	8
19	68-010250		HEX NUT, 1/2	8	8	8
20	33-026-225		SHAFT #5,#6 & #7 CYLINDER	1	1	1
21	33-026-087		KEY, 3/8 X 2 1/2	2	2	2

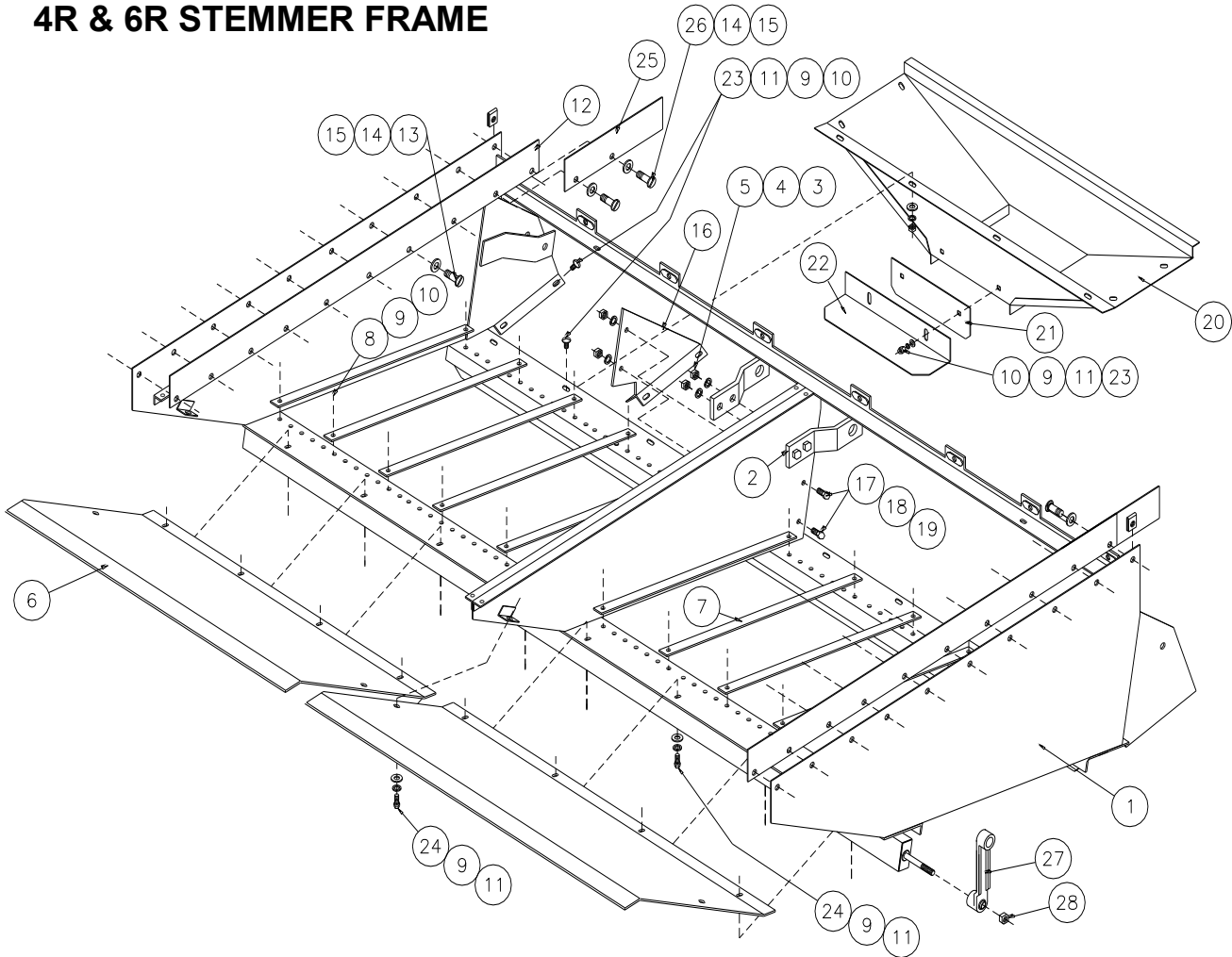
4R & 6R SHAKER PAN



ITEM	PART NO	SERIAL NO OR YR	DESCRIPTION	QTY
1	33-070-141		FRAME, PAN	1
2	33-027-855		FLOOR, FRONT	1
3	33-027-856		FLOOR, REAR	1
4	33-050-184		SEAL, PAN	2
5	33-080-588		DIVIDER, LT	2
6	33-080-589		DIVIDER, RT	2
7	33-050-099		SPACER, TINE	45
8	33-033-056		TINE SUPPORT, BOTTOM	1
9	33-050-029		U-NUT, 1/4	24
10	33-024-092		SPACER	4
11	52-050500		CARRIAGE BOLT, 5/16 X 3/4 G5 PLT	3
12	62-010050		FLATWASHER, 5/16	30
13	66-010100		LOCKWASHER, 5/16	90
14	68-010100		HEX NUT, 5/16	90
15	52-050019		CARRIAGE BOLT, 5/16 X 1 1/4 G5 PLT	81

ITEM	PART NO	SERIAL NO OR YR	DESCRIPTION	QTY
16	62-010150		FLATWASHER, 7/16	43
17	58-020101		MACHINE SCREW, 1/4 X 5/8 ROUND HD	24
18	33-028-336		COVER, PAN SEAL	2
19	33-027-513		PANEL, CORNER	2
20	48-090040		CAPSCREW, 5/16 X 2 1/4 G5 PLT	6
21	15-026-003	(-2005)	BUSHING, LINKAGE	8
	33-024-513	(2006-)	SPACER, 0.5 ID X 0.625	8
22	33-050-024		TINE, SEPARATOR	44
23	33-081-138		HANGER ARM	2
	33-050-103		REPLACEMENT BUSHING	4

4R & 6R STEMMER FRAME



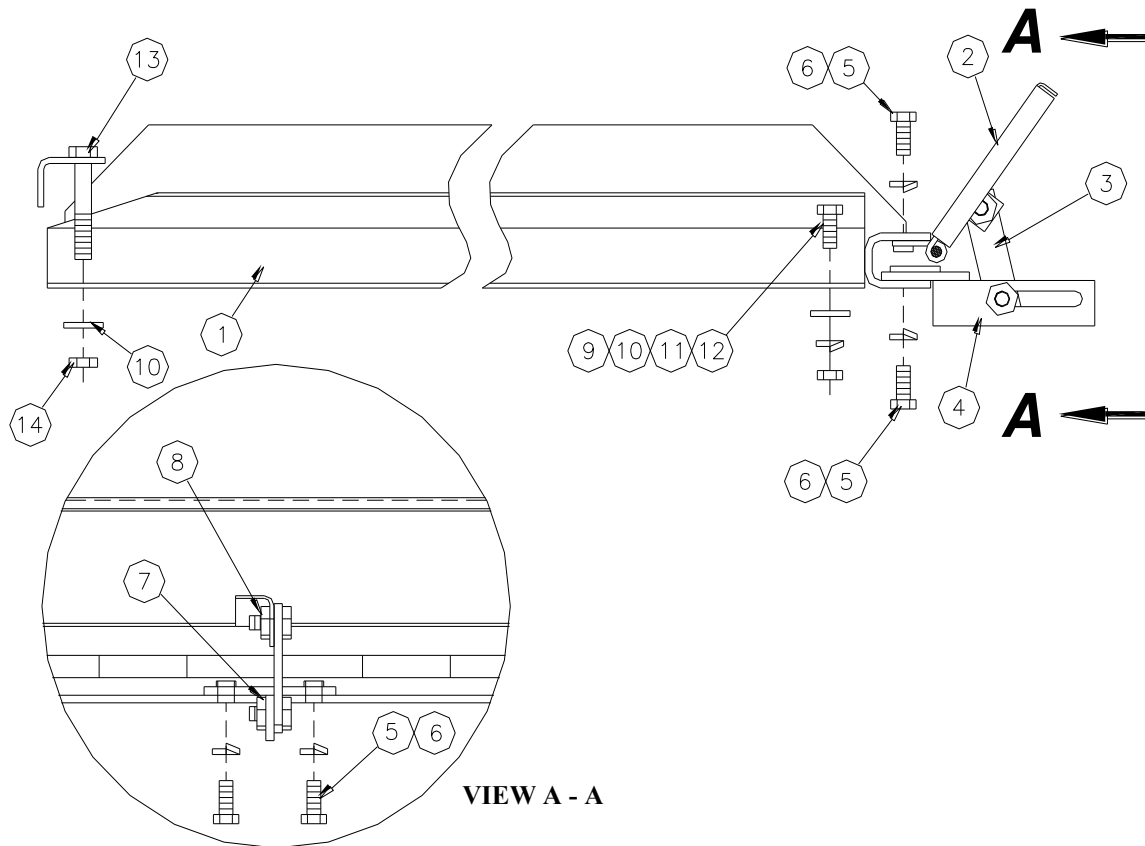
ITEM	PART NO	SERIAL NO OR YR	DESCRIPTION	QTY
1	33-070-132		FRAME, STEMMER	1
2	33-023-553		BRACKET, STEMMER CENTER	2
3	48-090592		CAPSCREW, 1/2 X 1 1/4 G5 PLT	2
4	66-010250		LOCKWASHER, 1/2	2
5	68-010250		HEX NUT, 1/2	2
6	33-070-136	(-2008)	FLOOR, STEMMER	(2)
	33-070-363	(2009-)	FLOOR, STEMMER LESS NOTCH	2
7	33-023-007		SLAT STEMMER	72
8	52-050010		CARRIAGE SCREW, 5/16 X 1 G5 PLT	144
9	66-010100		LOCKWASHER, 5/16 PLT	180
10	68-010100		HEX NUT, 5/16 PLT	168
11	62-010050		FLATWASHER, 5/16 STD PLT	36
12	33-050-187		SEAL, STEMMER	2
13	58-020101		MACHINE SCREW, 1/4 X 5/8 RD HD	20
14	62-010010		FLATWASHER, 1/4 STD PLT	20
15	33-050-029		U-NUT, 1/4	20
16	33-070-193		SUPPORT, DROP BOX CENTER	1
17	48-090090		CAPSCREW, 3/8 X 3/4 G5 PLT	2

ITEM	PART NO	SERIAL NO OR YR	DESCRIPTION	QTY
18	66-010150		LOCKWASHER, 3/8 PLT	2
19	68-010150		HEX NUT, 3/8 PLT	2
20	33-070-214		DROP BOX	2
21	33-028-283		EXTENSION, DROP BOX	4
22	33-028-774		FLAP, DROP BOX	4
23	52-050005		CARRIAGE SCREW, 5/16 X 3/4 G5 PLT	24
24	48-090043		CAPSCREW, 5/16 X 3/4 G5 PLT	12
25	33-050-378		EXTENSION, STEMMER SEAL	2
26	58-020102		MACHINE SCREW, 1/4 X 3/4 SLT RD HD	4
27	33-081-138		HANGER ARM	2
	33-050-103		REPLACEMENT BUSHING	4
28	68-010300		HEX NUT, 5/8	2

SCREEN AND TAILBOARD

1.62 SCREEN WITH TAILBOARD
(33-081-161)

2.25 SCREEN WITH TAILBOARD
(33-081-162)



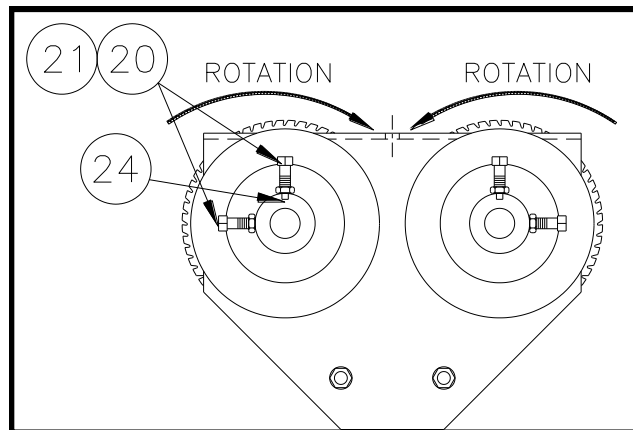
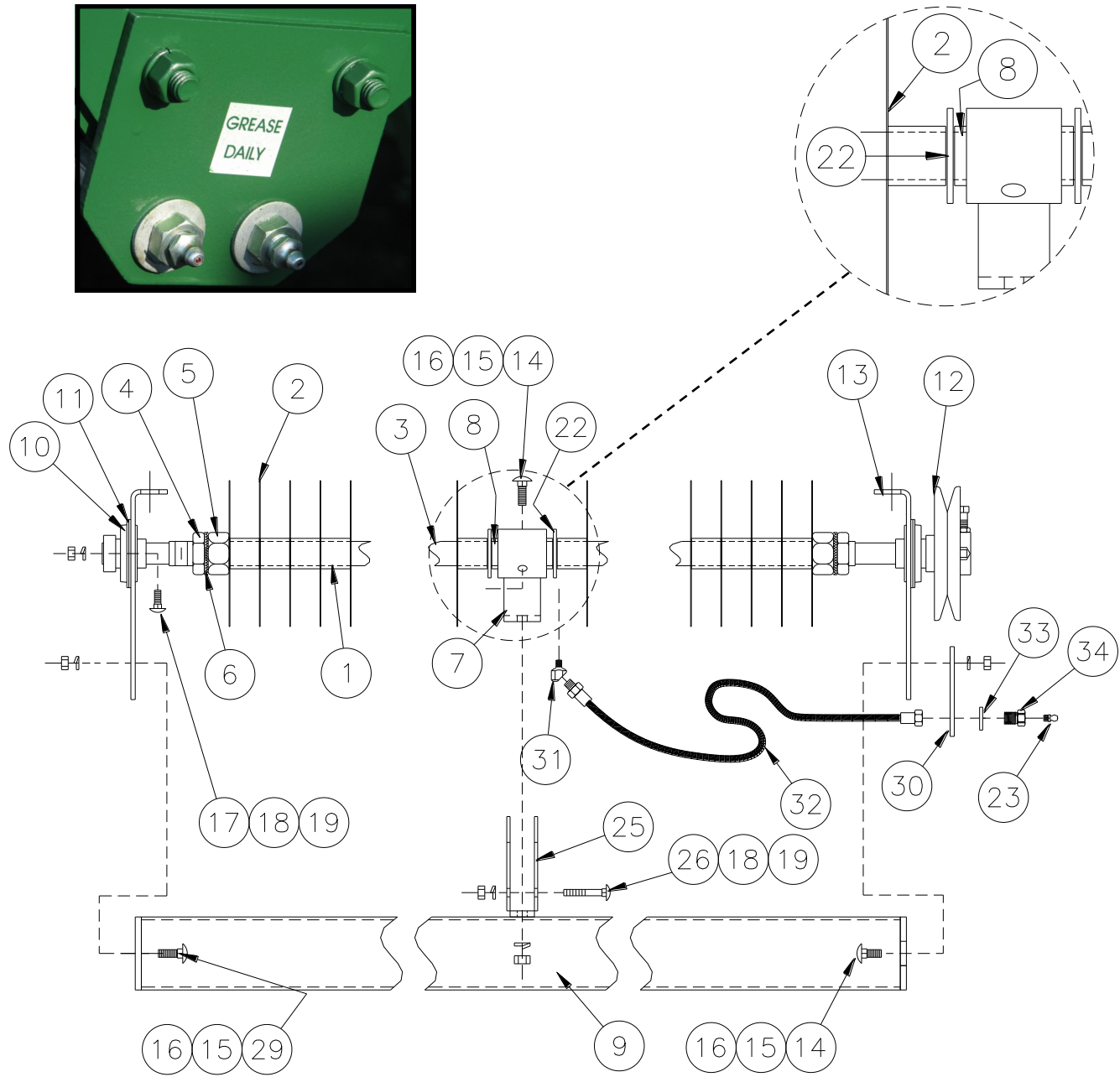
ITEM	PART NO	SERIAL NO OR YR	DESCRIPTION	1.62	2.25
1	33-050-296		CHAFFER, 1.62 DOUBLE HANDLE	2	-
	33-050-295		CHAFFER, 2.25 DOUBLE HANDLE	-	2
2	33-080-695		TAILBOARD	2	2
3	33-080-174		LINK	2	2
4	33-080-173		SUPPORT	2	2
5	48-090043		CAPSCREW, 5/16 X 3/4 G5 PLT	10	10
6	66-010100		LOCKWASHER, 5/16 PLT	10	10
7	78-020049		LOCKNUT, 5/16 FLANGE WHIZ	2	2
8	72-010025		LOCKNUT, 5.16	2	2

* THESE ITEMS ARE NOT A PART OF 33-081-161 OR 33-081-162

ITEM	PART NO	SERIAL NO OR YR	DESCRIPTION	1.62	2.25
*9	48-090100		CAPSCREW, 3/8 X 1 G5 PLT	4	4
*10	62-010100		FLATWASHER, 3/8 PLT	6	6
*11	66-010150		LOCKWASHER, 3/8 PLT	4	4
*12	68-010150		HEX NUT, 3/8 PLT	4	4
*13	33-070-213		LOCK, SCREEN	2	2
*14	72-010050		LOCKNUT, 3/8	2	2

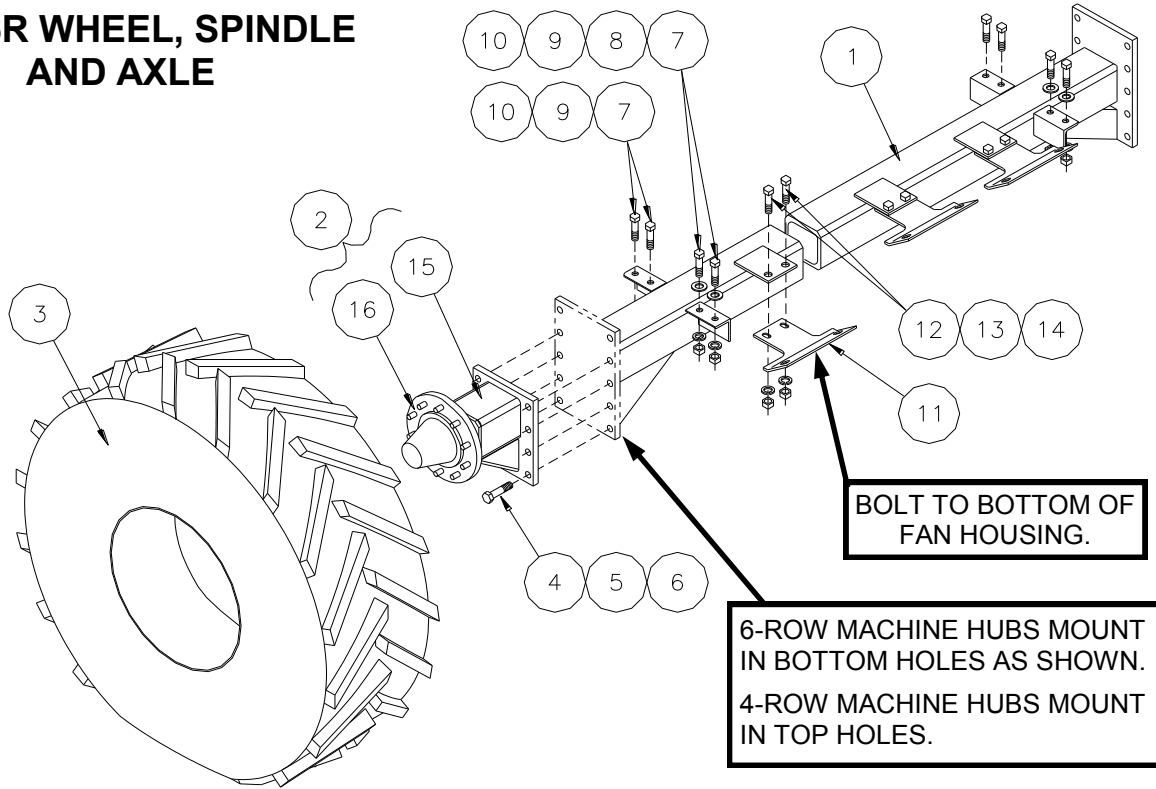
BLANK
PAGE

STEMMER SAWS



ITEM	PART NO	SERIAL NO OR YR	DESCRIPTION	QTY
1	33-024-063		SPACER	136
2	33-050-013		SAW	136
3	33-026-230		SHAFT	2
4	70-010250		JAM NUT, 1 PLT	4
5	68-010450		HEX NUT, 1 PLT	4
6	66-020000		LOCKWASHER, 1 INT TOOTH	4
7	33-070-113		SUPPORT, STEMMER SAW	1
	33-050-297		REPLACEMENT BUSHING	4
8	33-051-053		INNER RACE, 1 X 1 1/4 X 1 1/4	4
9	33-080-675		BRACE, STEMMER	1
10	33-051-052		BEARING, 7/8 B RELUBE	4
11	04-051-002		FLANGE, BRG	8
12	33-053-043		SHEAVE, (1B 5.5 - 8.75)	2
13	33-028-217		MOUNT, SAW END	2
14	52-050035		CARRIAGE BOLT, 3/8 X 1 G5 PLT	4
15	66-010150		LOCKWASHER, 3/8	12
16	68-010150		HEX NUT, 3/8 PLT	12
17	52-050005		CARRIAGE BOLT, 5/16 X 3/4 G5 PLT	8
18	66-010100		LOCKWASHER, 5/16 PLT	10
19	68-010100		HEX NUT, 5/16 PLT	10
20	54-010020		SETSCREW, 5/16 X 1 CUPPT G5 PLT	4
21	70-010025		JAM NUT, 5/16 PLT	4
22	62-020050		FLATWASHER, 1 SAE	4
23	03-050-013		GREASE FITTING, 1/8 NPT STRT	2
24	33-026-280		KEY, 3/16 X 1 1/4	2
25	33-028-367		GUARD, TRASH BUILD-UP	2
26	52-050022		CARRIAGE BOLT, 5/16 X 1 3/4 G5 PLT	2
27	48-090150		CAPSCREW, 3/8 X 1 1/4	6
28	62-010100		FLATWASHER, 3/8 PLT	6
29	52-050040		CARRIAGE BOLT, 3/8 X 1 1/4 G5 PLT	2
30	33-028-916		PLATE, GREASE FITTING	1
31	33-059-087		ADAPTER, 4MP-2FP-45°	2
32	33-059-124		HOSE, 1/4 ID X 55"	2
33	17-050-003		WASHER, SPECIAL	2
34	33-059-003		ADAPTER, HOSE	2

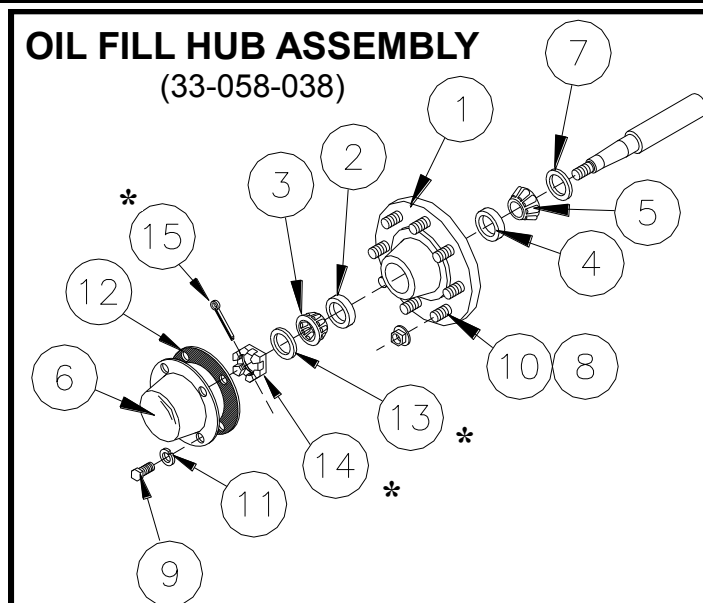
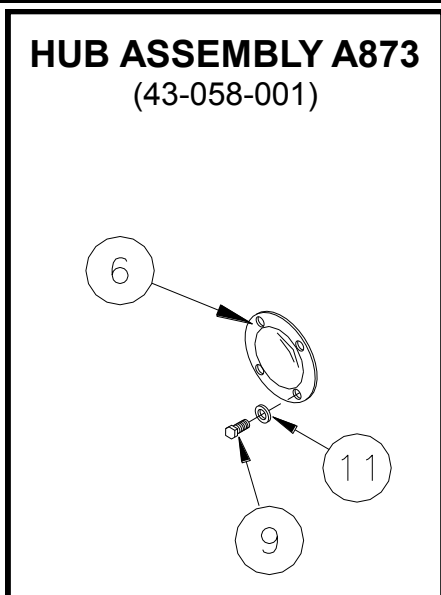
4R & 6R WHEEL, SPINDLE AND AXLE



ITEM	PART NO	SERIAL NO OR YR	DESCRIPTION	4R	6R
1	33-070-192		AXLE, 4R SINGLE WHEEL	1	-
	33-070-176		AXLE, 6R SINGLE WHEEL	-	1
2	48-081-004		SPINDLE & HUB ASSY	2	2
3	33-081-319		TIRE & WHEEL, 4R	2	-
	33-058-029		RIM, 28 X W15L	-	-
	33-058-030		TIRE, 18.4-28	-	-
	33-081-320		TIRE & WHEEL, 6R	-	2
	33-058-031		RIM, 26 X DW25	-	-
	33-058-032		TIRE, 28L-26-12 PLY	-	-
	33-058-039		BRASS PLUG	-	-
	18-050-021		VALVE, STEM	-	-
4	48-200285		CAPSCREW, 1 X 3 1/2 G8 PLT	16	16
5	66-010450		LOCKWASHER, 1 PLT	16	16
6	68-010450		HEX NUT, 1 PLT	16	16
7	48-090950		CAPSCREW, 5/8 X 2	8	8
8	62-010250		FLATWASHER, 5/8	4	4
9	66-010300		LOCKWASHER, 5/8 PLT	8	8
10	68-010300		HEX NUT, 5/8 PLT	8	8
11	33-028-860		MOUNT, BOTTOM	6	6
12	48-090150		CAPSCREW, 3/8 X 1 1/4 G5 PLT	12	12
13	66-010150		LOCKWASHER, 3/8 PLT	12	12
14	68-010150		HEX NUT, 3/8 PLT	12	12

SPINDLE & HUB (48-081-004)

ITEM	PART NO	SERIAL NO OR YR	DESCRIPTION	QTY
15	48-080-004		SPINDLE WELDMENT	1
16	43-058-001	(-2005)	HUB, ASSY A873	(1)
	33-058-038	(2006-2010)	OIL FILL HUB ASSY	(1)
	33-058-042	(2011-)	OIL FILL HUB ASSY	1

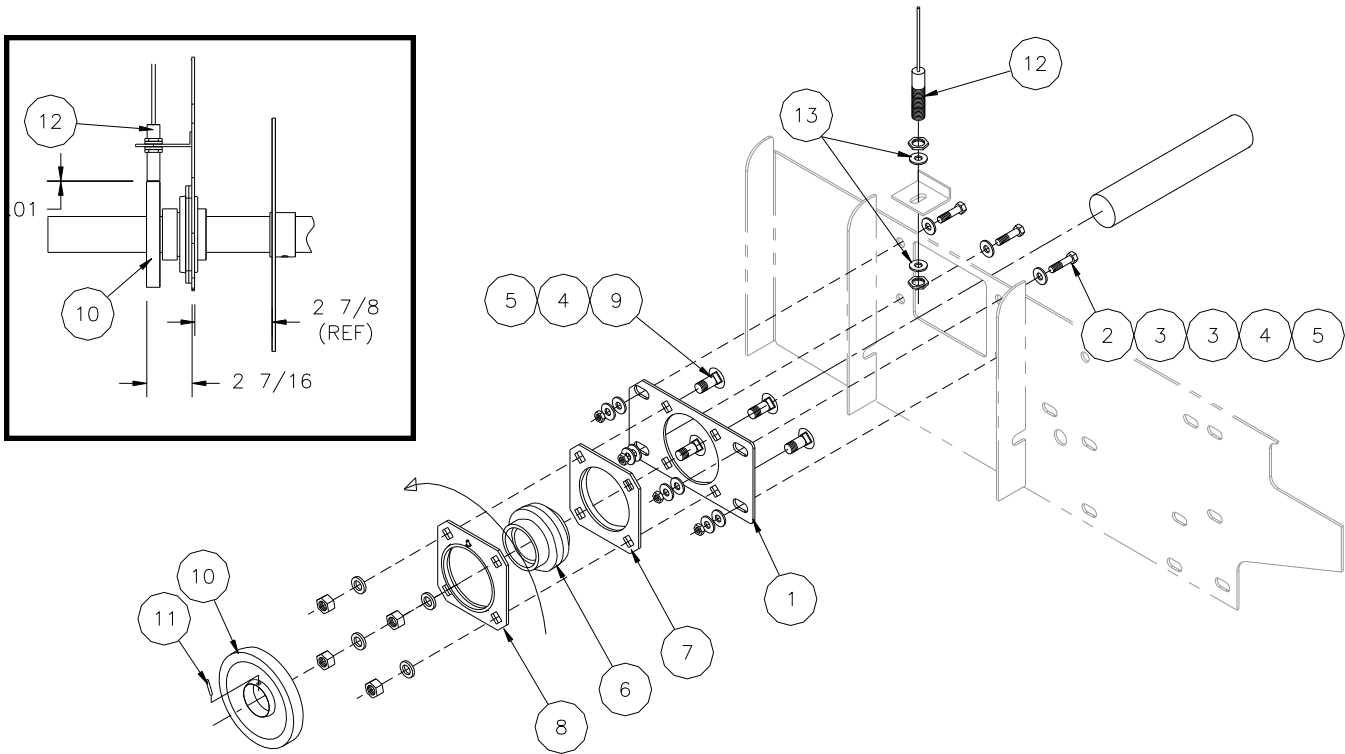


ITEM	PART NO	SERIAL NO OR YR	DESCRIPTION	QTY		
				-001	-038	-041
1	48-058-003		HUB WITH CUPS AND STUDS	1	-	-
	33-058-036		OIL FILL HUB W/CUPS	-	1	1
2	48-051-001		OUTER CUP	1	1	1
3	48-051-002		OUTER CONE	1	1	1
4	02-051-058		INNER CUP	1	1	1
5	02-051-059		INNER CONE	1	1	1
6	48-058-006		HUB CAP	1	-	-
	33-058-037		CAP, HUB	-	1	-
	33-058-041		HUB CAP	-	-	1
7	48-056-001		GREASE SEAL	1	1	1
8	48-058-004		STUD BOLT	10	10	-
	33-058-044		STUD BOLT	-	-	10
9	48-090034		CAPSCREW, 5/16 X 1/2 G5 P	4	-	4
	48-090010		CAPSCREW, 1/4 X 3/4 G5 PLT	-	4	-
10	48-058-005		FLANGE NUT	10	10	10
11	66-010115		LOCKWASHER, 5/16 PLT	4	-	4
	66-010010		LOCKWASHER, 1/4 PLT	-	4	-
12	48-058-011		GASKET	-	1	1

*** NOT INCLUDED IN 43-058-001, 33-058-038 OR 33-058-041**

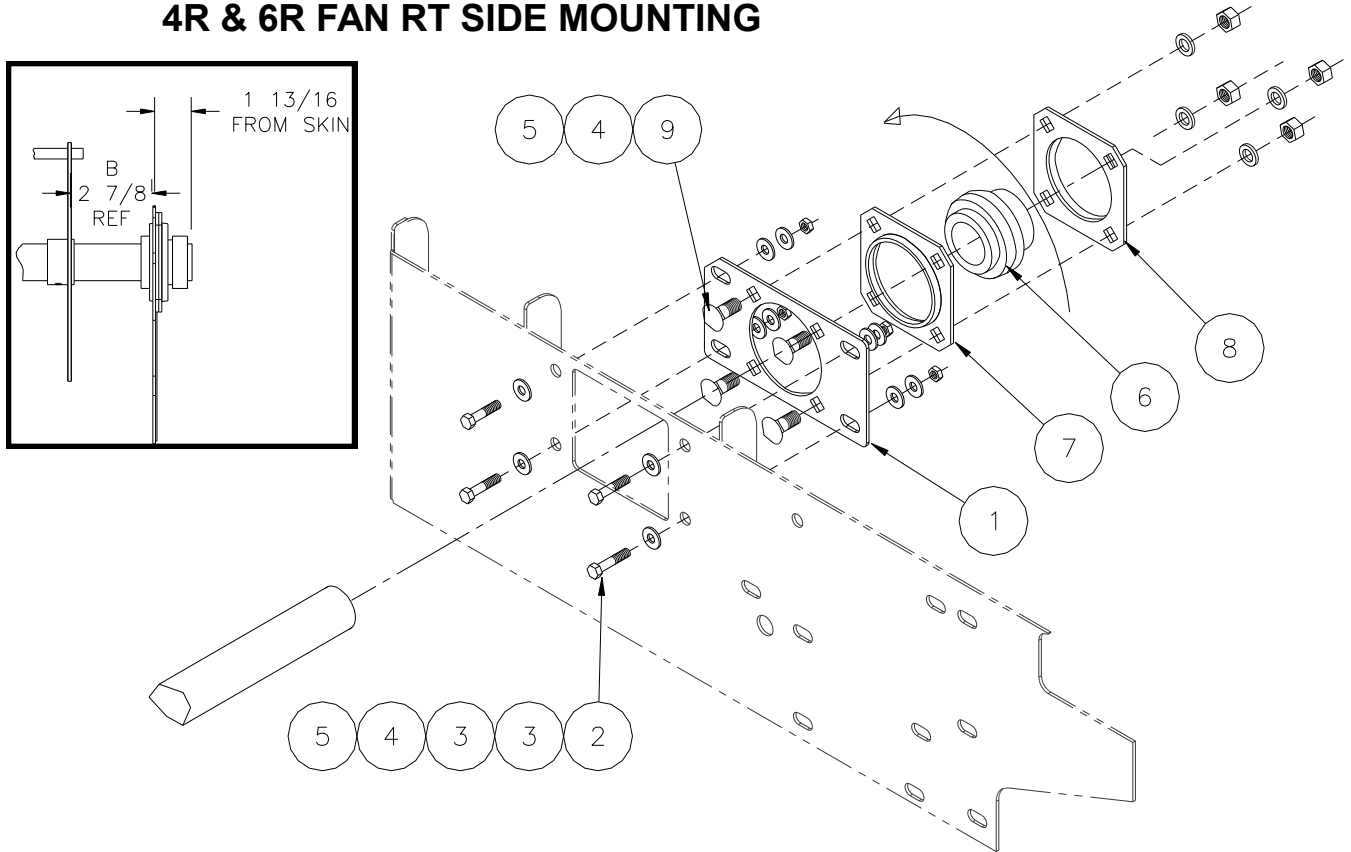
ITEM	PART NO	SERIAL NO OR YR	DESCRIPTION	-001	-038	-041
13	48-058-007		WASHER	1	1	1
14	48-058-008		CASTLE NUT	1	1	1
15	48-058-009		COTTER PIN	1	1	1

4R & 6R FAN LT SIDE MOUNTING



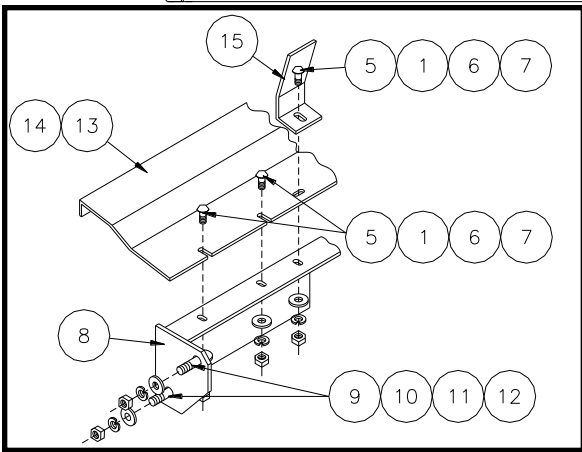
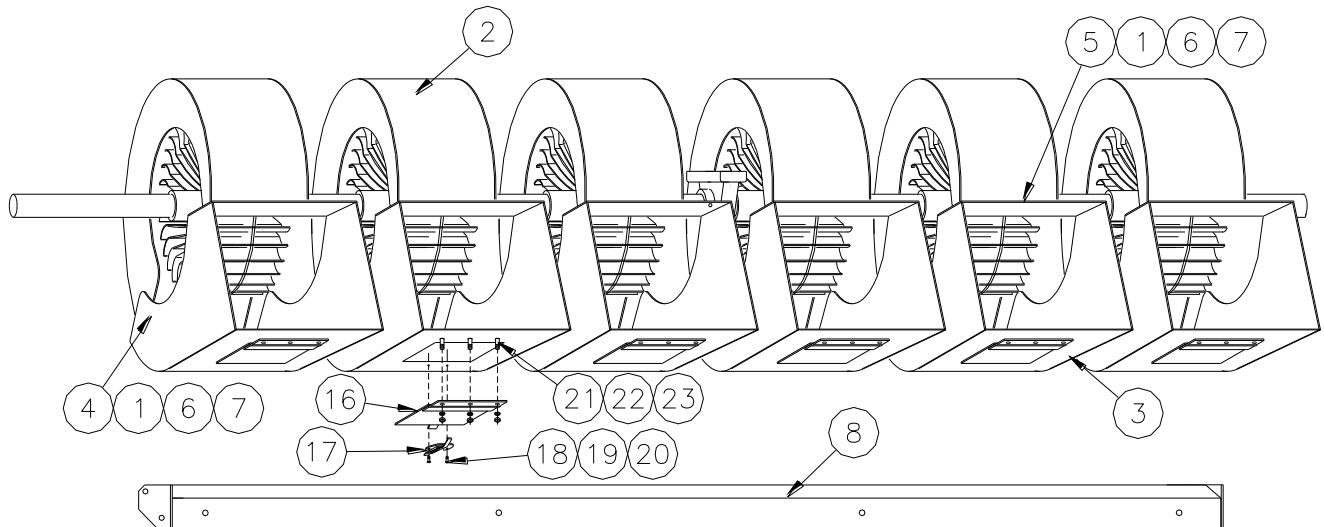
ITEM	PART NO	SERIAL NO OR YR	DESCRIPTION	4R	6R
1	33-028-858		PLATE, SEPARATOR FAN	1	1
2	48-090592		CAPSCREW, 1/2 X 1 1/4 G5 PLT	4	4
3	17-050-003		FLATWASHER, 1/2 HARDENED	12	12
4	66-010250		LOCKWASHER, 1/2 PLT	12	12
5	68-010250		HEX NUT, 1/2 PLT	12	12
6	33-051-068		BEARING, 1 3/4 BORE	1	1
7	02-051-038		FLANGE, G85 MSB BEARING	1	1
8	02-051-037		FLANGE, G85 MSB BRG W/FITG	1	1
9	52-050125		CARRIAGE SCREW, 1/2 X 1 1/4	4	4
10	33-050-332		GEAR, TACH	-	1
11	54-001100		SETSCREW, #10-32 X 1/4 UNF G5	-	8
12	33-062-079		SENSOR, MAGNETIC PICKUP	-	1
13	62-020040		FLATWASHER, 5/8 SAE PLT	-	2

4R & 6R FAN RT SIDE MOUNTING



ITEM	PART NO	SERIAL NO OR YR	DESCRIPTION	4R	6R
1	33-028-585		PLATE, SEPARATOR FAN	1	1
2	48-090592		CAPSCREW, 1/2 X 1 1/4 G5 PLT	4	4
3	17-050-003		FLATWASHER, 1/2 HARDENED	12	12
4	66-010250		LOCKWASHER, 1/2 PLT	12	12
5	68-010250		HEX NUT, 1/2 PLT	12	12
6	33-051-068		BEARING, 1 3/4 BORE	1	1
7	02-051-038		FLANGE, G85 MSB BEARING	1	1
8	02-051-037		FLANGE, G85 MSB BRG W/FITG	1	1
9	52-050125		CARRIAGE SCREW, 1/2 X 1 1/4	4	4

SEPARATOR FAN HOUSING



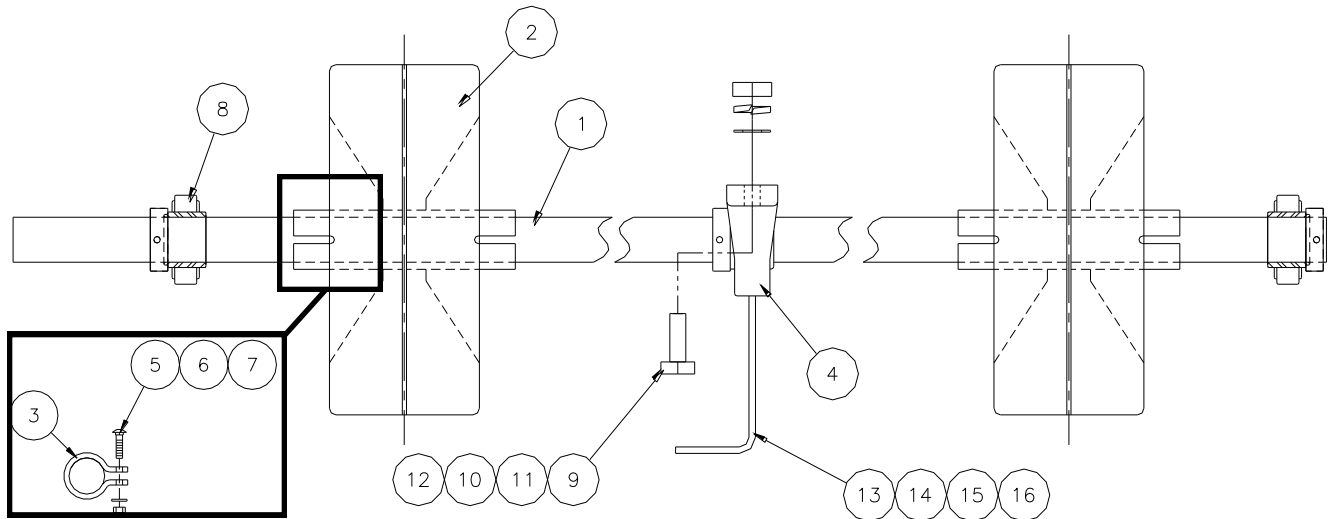
ITEM	PART NO	SERIAL NO OR YR	DESCRIPTION	4R	6R
1	62-010050		FLATWASHER, 5/16 PLT	29	29
2	33-080-620		HOUSING, SEP FAN TOP	6	6
3	33-080-621		HOUSING, SEP FAN BOTTOM	6	6
4	52-050019		CARR SCREW, 5/16 X 1 1/4	12	12
5	52-050005		CARR SCREW, 5/16 X 3/4	17	17
6	66-010100		LOCKWASHER, 5/16 PLT	29	29
7	68-010100		HEX NUT, 5/16 PLT	29	29
8	33-070-286		REAR MOUNT, SEP FAN	1	1
9	48-090592		CAPSCREW, 1/2 X 1 1/4	4	4
10	62-010200		FLATWASHER, 1/2	4	4
11	66-010250		LOCKWASHER, 1/2	4	4
12	68-010250		HEX NUT, 1/2	4	4
13	33-028-351		AIR BAFFLE, LT	1	1
14	33-028-352		AIR BAFFLE, RT	1	1
15	33-028-353		PLATE, BAFFLE	5	5
16	33-080-956		DOOR, FAN HOUSING	6	6
17	31-050-102		LATCH, HOPPER	6	6

ITEM	PART NO	SERIAL NO OR YR	DESCRIPTION	4R	6R
18	58-020050		MACHINE SCREW, #10-24 X 1/2	12	12
19	66-010025		LOCKWASHER, #10	12	12
20	68-010025		HEX NUT, #10	12	12
21	58-020400		MACHINE SCREW, 1/4 X 1/2	18	18
22	66-010050		LOCKWASHER, 1/4	18	18
23	68-010050		HEX NUT, 1/4	18	18

SEPARATOR FAN ASSEMBLY

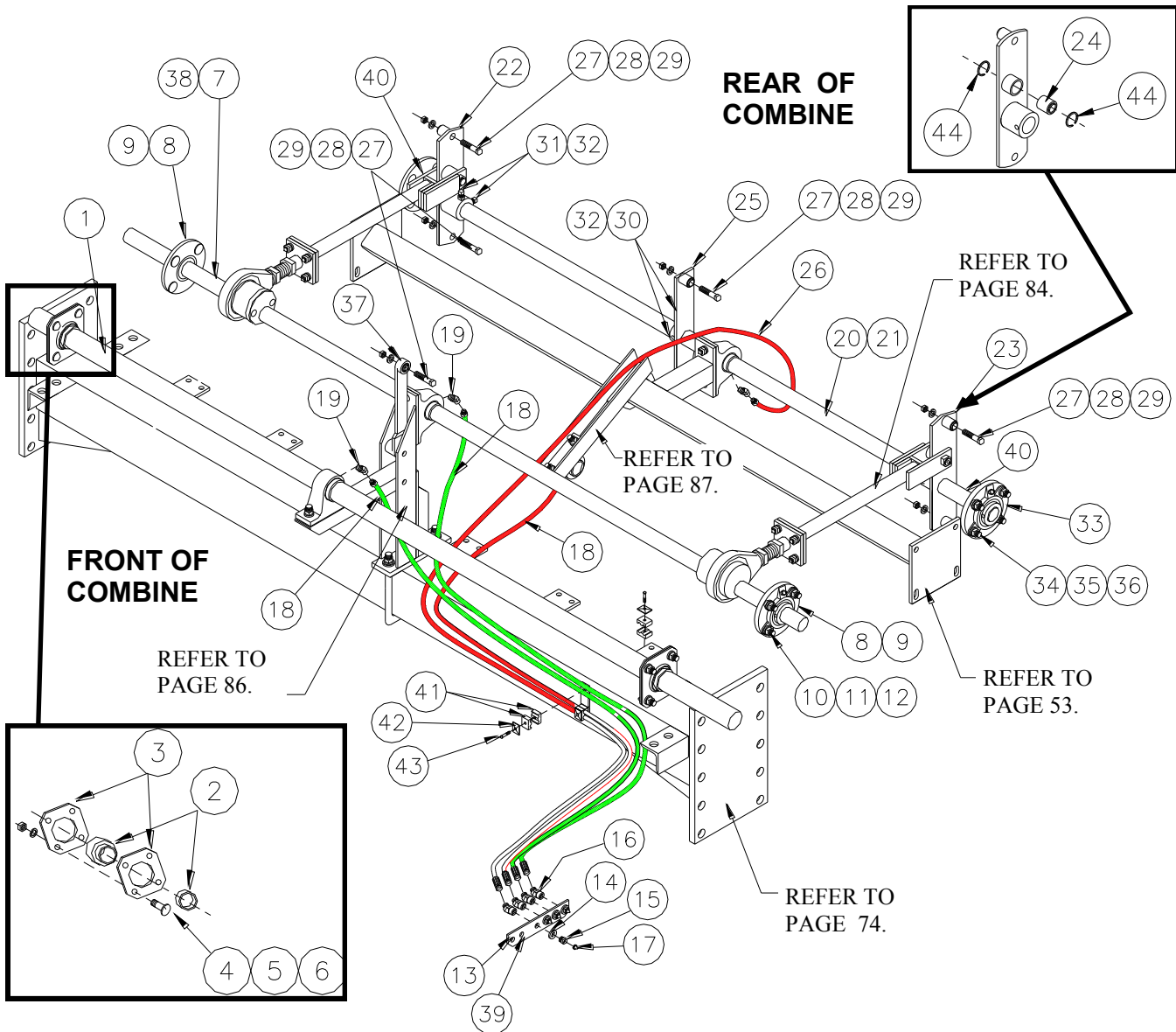
(33-081-374) 4-ROW

(33-081-373) 6-ROW



ITEM	PART NO	SERIAL NO OR YR	DESCRIPTION	4R	6R
1	33-026-371		SHAFT, SEP FAN 4R	1	-
	33-026-370		SHAFT, SEP FAN 6R	-	1
2	33-050-148		ROTOR, WHOLE FAN	6	6
3	33-050-147		CLAMP	12	12
4	33-051-048		BEARING, 1 3/4 PILLOW BLOCK	1	1
5	52-050019		CARRIAGE BOLT, 5/16 X 1 1/4 G5	12	12
6	62-010050		FLATWASHER, 5/16 PLT	12	12
7	72-010025		LOCKNUT, 5/16 G"B" PLT	12	12
8	33-051-068		BEARING, 1 3/4 B	2	2
9	48-090600		CAPSCREW, 1/2 X 2 G5 PLT	2	2
10	66-010350		LOCKWASHER, 1/2 PLT	2	2
11	62-010200		FLATWASHER, 1/2 PLT	4	4
12	68-010350		HEX NUT, 1/2 PLT	2	2
13	17-050-003		FLATWASHER, 1/2 HARDENED	1	1
14	33-059-121		HOSE, 1/4" ID X 78" LG	1	1
15	33-059-120		ADAPTER, 4MP-4FP-45°	1	1
16	33-059-003		ADAPTOR, HOSE	1	1

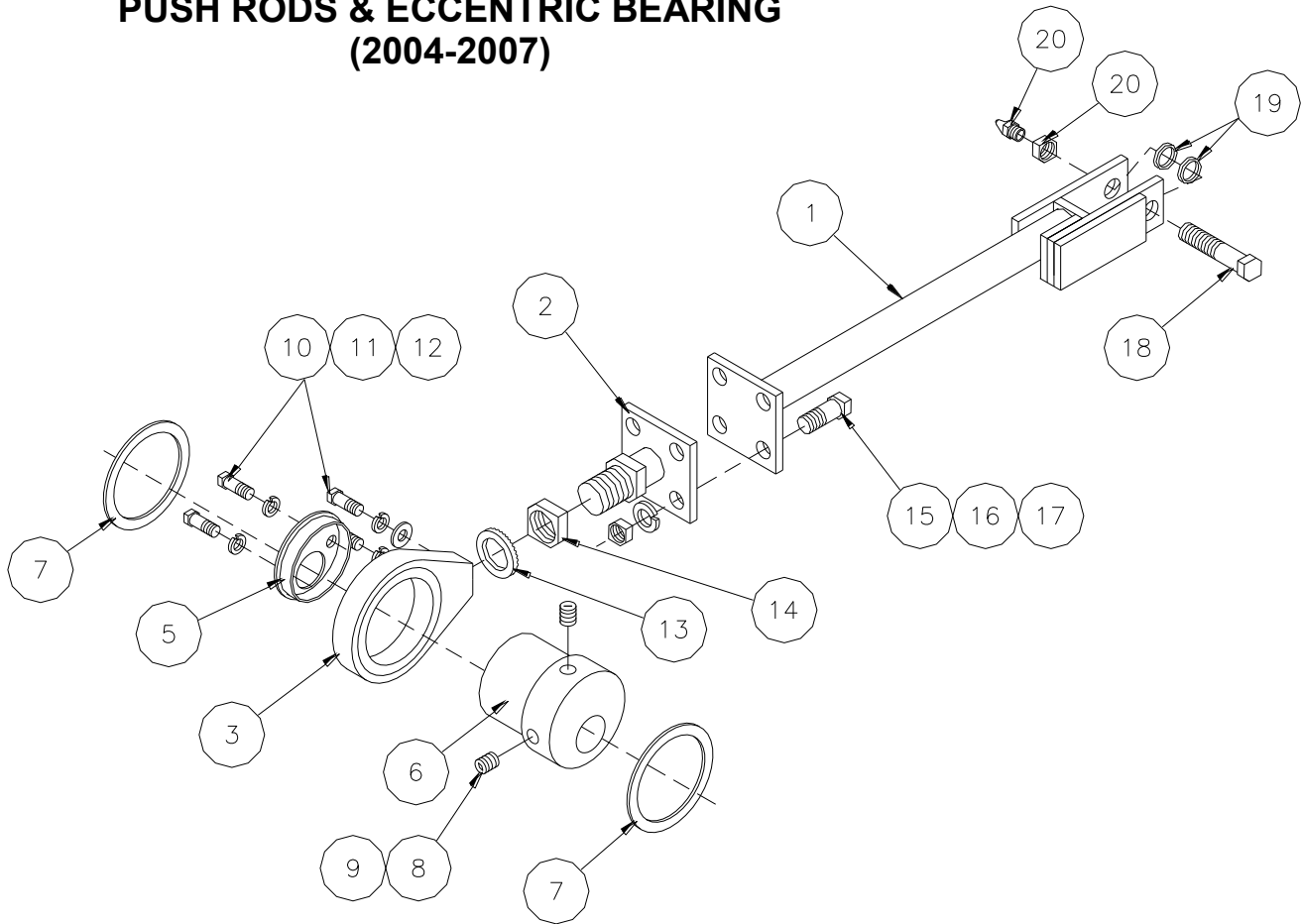
BEARING AND HANGERS



ITEM	PART NO	SERIAL NO OR YR	DESCRIPTION	4R	6R
1	33-026-333		SHAFT, 4R SEP FAN DRIVE	1	-
	33-026-332		SHAFT, 6R SEP FAN DRIVE	-	1
2	33-051-068		BEARING, 1 3/4 B	2	2
3	02-051-038		FLANGE, G85 MSB BEARING	4	4
4	52-050125		CARRIAGE SCREW, 1/2 X 1 1/4	8	8
5	66-010250		LOCKWASHER, 1/2	8	8
6	68-010250		HEX NUT, 1/2	8	8
7	33-026-220		ECCENTRIC SHAFT	1	1
8	33-051-055		BEARING, 1 7/16 BRG & HSG	2	2
	03-051-001		REPLACEMENT BEARING	-	-
9	33-050-281		SPACER, PVC	2	2

ITEM	PART NO	SERIAL NO OR YR	DESCRIPTION	4R	6R
10	52-050110		CARRIAGE SCREW, 7/16 X 2 G5	8	8
11	66-010200		LOCKWASHER, 7/16 PLT	8	8
12	68-010200		HEX NUT, 7/16	8	8
13	33-059-118	(-2007)	HOSE, 1/4 ID X 50" LG	(1)	(1)
14	17-050-003		WASHER, SPECIAL	7	7
15	33-059-003		ADAPTER, HOSE	7	7
16	33-059-120		ADAPTER, 4MP-4FP 45°	7	7
17	03-050-013		FITTING, 1/8 NPT STRT	7	7
18	33-059-121		HOSE, 1/4 ID X 78" LG	3	3
19	33-050-125		PIPE ADAPTER, 1/8	3	3
20	33-026-316		SHAFT, ROCKER	1	1
21	33-050-379		KEY, GIB 3/8 X 3/8 X 3	2	2
22	33-081-139		ROCKER ARM ASSY, LT	1	1
23	33-081-140		ROCKER ARM ASSY, RT	1	1
24	33-051-029		NEEDLE BEARING, 7/8B	2	2
25	33-081-141		ROCKER ARM ASSY, CENTER	1	1
26	33-059-122		HOSE, 1/4 ID X 120" LG	1	1
27	48-091050		CAPSCREW, 5/8 X 3 1/2	8	8
28	66-010300		LOCKWASHER, 5/8 PLT	8	8
29	68-010300		HEX NUT, 5/8 PLT	8	8
30	54-010250		SETSCREW, 1/2 X 1 G5 PLT	4	4
31	54-010253		SETSCREW, 1/2 X 1 1/4	2	2
32	70-010100		JAM NUT, 1/2 PLT	6	6
33	33-051-073		ROLLER BEARING	2	2
34	33-050-310		CARRIAGE SCREW, 3/8 X 1 1/2	8	8
35	66-010150		LOCKWASHER, 3/8 PLT	8	8
36	68-010150		HEX NUT, 3/8 PLT	8	8
37	33-081-138		HANGER ARM	1	1
38	33-026-127		KEY, 3/8 X 4 1/2	2	2
39	33-059-119	(-2007)	HOSE, 1/4 ID X 130"	(1)	(1)
40	33-056-045		SEAL, 1 3/4 ID WB FORSHEDA	2	2
41	33-050-416		CLAMP BODY	4	4
42	33-050-418		PLATE, COVER	4	4
43	48-090016		CAPSCREW, 1/4 X 1 3/8	4	4
44	33-050-100		RETAINING RING	4	4

PUSH RODS & ECCENTRIC BEARING (2004-2007)

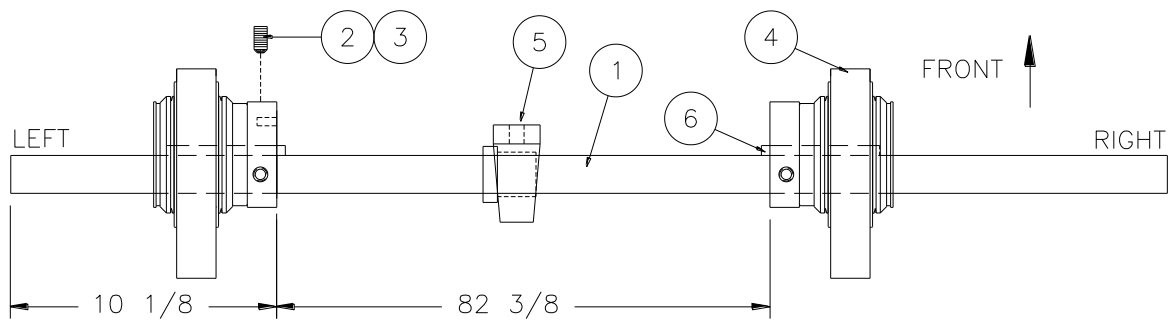


ITEM	PART NO	SERIAL NO OR YR	DESCRIPTION	QTY
1	33-080-903		PUSH ROD	1
2	33-080-902		ADJUSTMENT, PUSH ROD	1
*3	33-057-019		ECC. HOUSING	1
*4	33-051-074		ECC. BEARING	1
*5	33-050-288		COVER, BRG HOUSING	1
*6	33-050-289		CAM , ECCENTRIC	1
*7	33-056-044		FORSHEDA SEAL, 4"	2
*8	54-010240		SETSCREW, 1/2 X 1 KNURL PT G5	2
9	-		LOCKTITE #271	-
*10	48-090043		CAPSCREW, 5/16 X 3/4 G5 PLT	4
*11	66-010100		LOCKWASHER, 5/16 PLT	4
*12	62-010050		FLATWASHER, 5/16 PLT	2
13	66-020000		LOCKWASHER, 1 INT TOOTH	1
14	70-010255		JAM NUT, 1" RH	1
15	48-090595		CAPSCREW, 1/2 X 1 1/2 G5 PLT	4
16	66-010250		LOCKWASHER, 1/2 PLT	4

ITEM	PART NO	SERIAL NO OR YR	DESCRIPTION	QTY
16	66-010250		LOCKWASHER, 1/2 PLT	4
17	68-010250		HEX NUT, 1/2 PLT	4
18	33-050-234		BOLT	1
19	33-024-186		SPACER, PAN BRG	2
20	72-040070		LOCKNUT, 7/8 JAM	1
21	02-050-005		GREASE FITTING, 1/4-28 STRT	1
*22	03-050-013		FITTING 1/8 NPT STRT	1

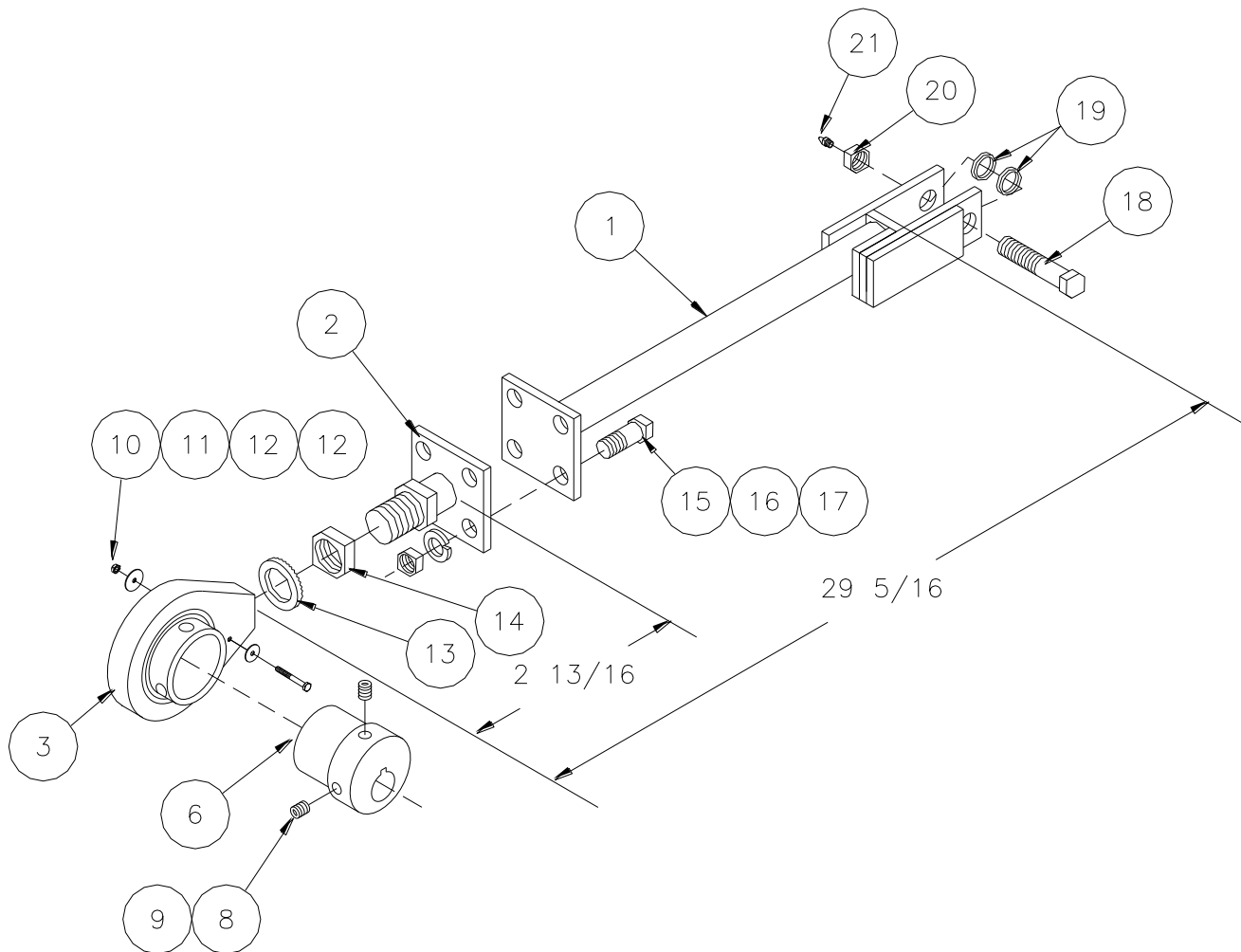
* THESE PARTS MAKE UP 33-081-284

**ECCENTRIC BEARING AND SHAFT ASSEMBLY
(2004-2007)
(33-081-283)**



ITEM	PART NO	SERIAL NO OR YR	DESCRIPTION	QTY
1	33-026-220		ECCENTRIC SHAFT	1
2	54-010240		SETSCREW, 1/2 X 1 KNURL PT G5 PLN	4
3	-		LOCTITE #271	-
4	33-081-284		ECCENTRIC BEARING ASSEMBLY	2
5	33-051-004		BEARING, 1 7/16 PILLOW	1
6	33-026-127		KEY, 3/8 X 4 1/2	2

PUSH RODS (2008 TO PRESENT)

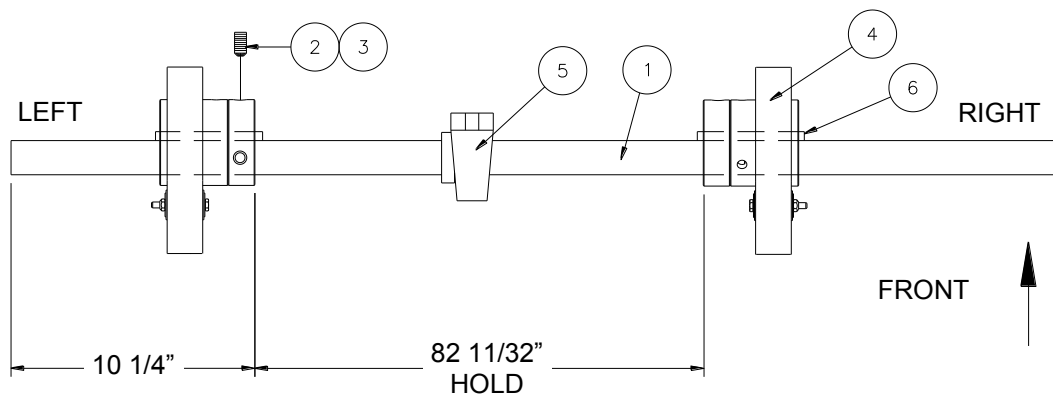


ITEM	PART NO	SERIAL NO OR YR	DESCRIPTION	QTY
1	33-080-903		PUSH ROD	2
2	33-080-902		ADJUSTMENT, PUSH ROD	2
*3	33-051-082		BEARING ECCENTRIC ASSY	2
*6	33-050-429		CAM , ECCENTRIC 2007	2
*8	54-010240		SETSCREW, 1/2 X 1 KNURL PT G5 PLT	4
*9	-		LOCKTITE #271	-
*10	48-090031		CAPSCREW, 1/4 X 2 1/2 G5 PLT	2
*11	64-060000		WASHER, 1/4 X 1 1/4 X .125 FENDER	2
*12	72-010020		LOCKNUT, 1/4 STOVER	2
13	66-020000		LOCKWASHER, 1 INT TOOTH	2
14	70-010255		JAM NUT, 1" RH	2

ITEM	PART NO	SERIAL NO OR YR	DESCRIPTION	QTY
15	48-090595		CAPSCREW, 1/2 X 1 1/2 G5 PLT	8
16	66-010250		LOCKWASHER, 1/2 PLT	8
17	68-010250		HEX NUT, 1/2 PLT	8
18	33-050-234		BOLT	2
19	33-024-186		SPACER, PAN BRG	4
20	72-040070		LOCKNUT, 7/8 JAM	2
21	02-050-005		GREASE FITTING, 1/4-28 STRT	2

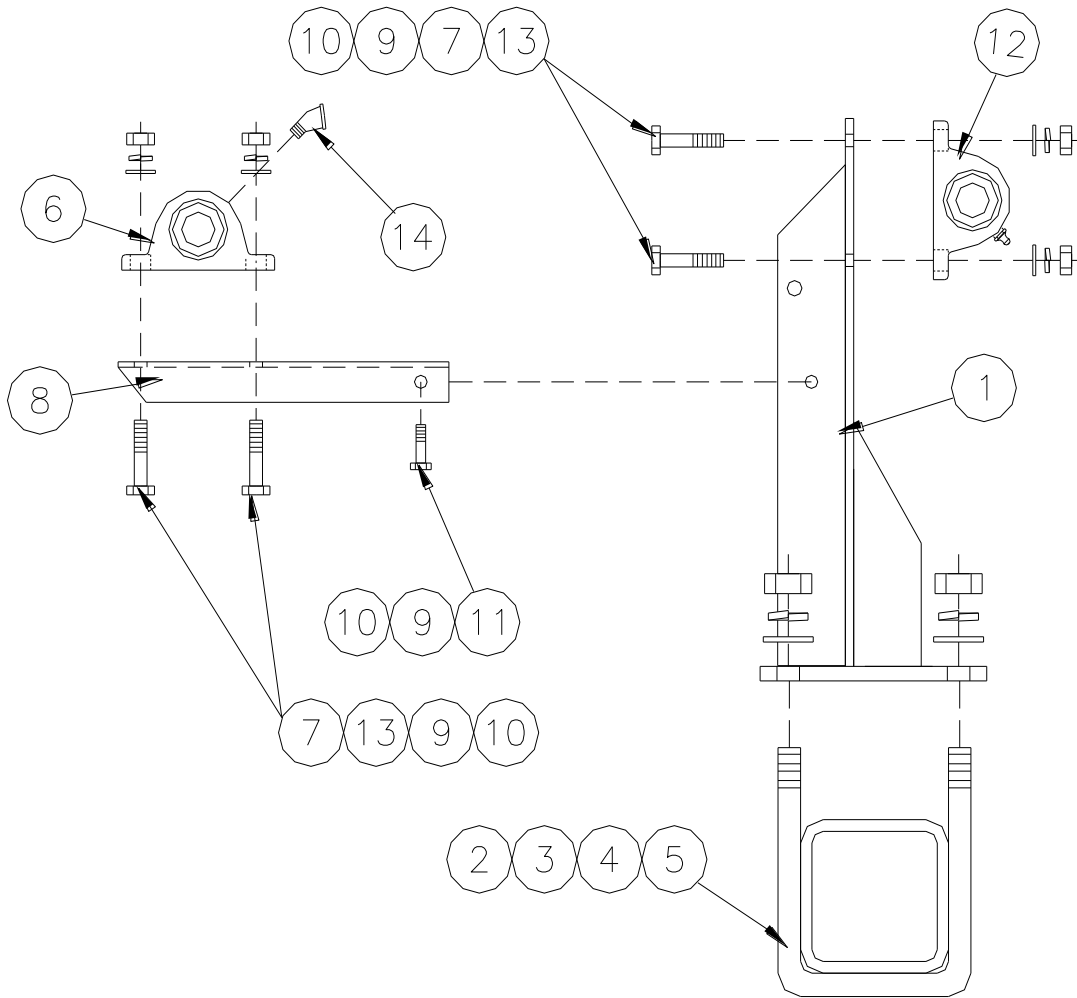
*These items make up 33-081-390.

ECCENTRIC BEARING AND SHAFT ASSEMBLY (33-081-391) (2008-PRESENT)



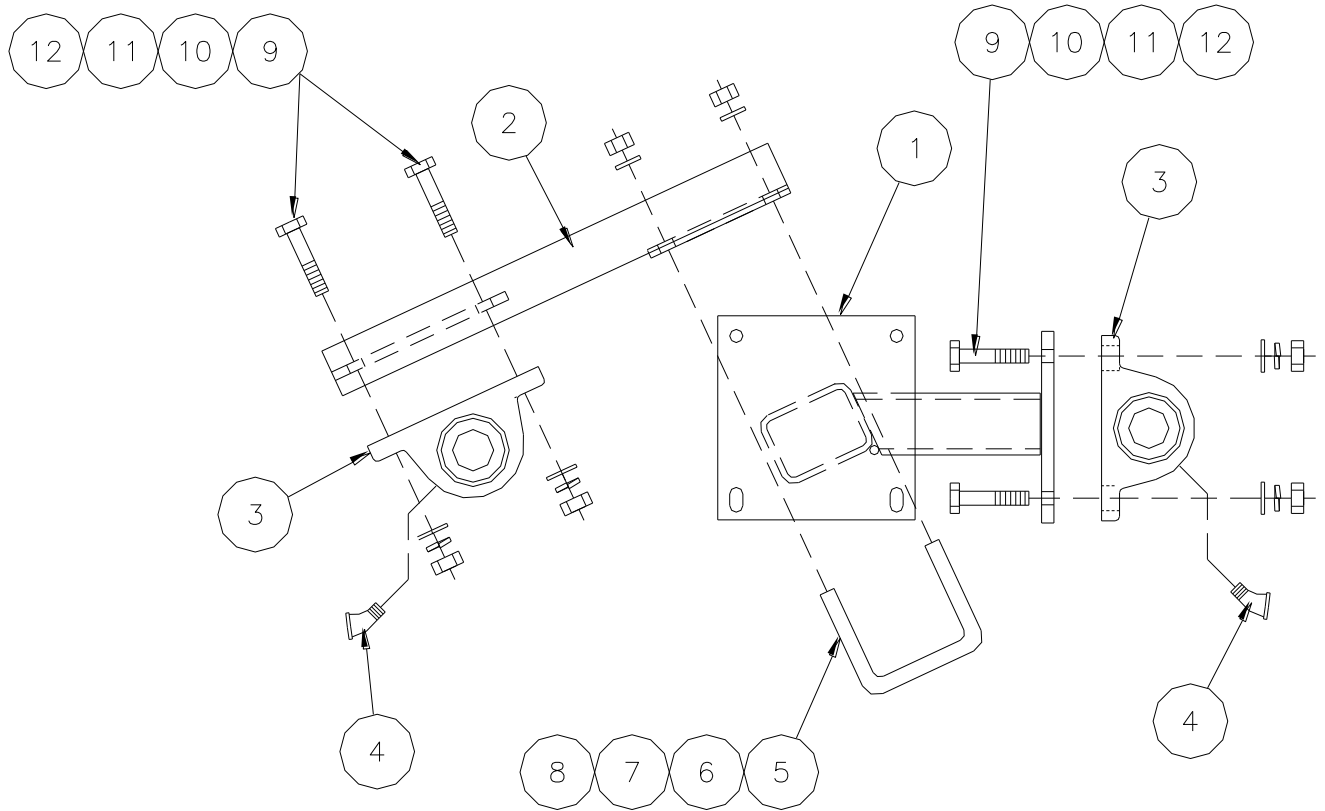
ITEM	PART NO	SERIAL NO OR YR	DESCRIPTION	QTY
1	33-026-220		ECCENTRIC SHAFT	1
2	54-010240		SETSCREW, 1/2 X 1 KNURL PT G5 PLN	4
3	-		LOCKTITE #271	-
4	33-081-390		ECCENTRIC BEARING ASSEMBLY	2
5	33-051-004		BEARING, 1 7/16 PILLOW	1
6	33-026-127		KEY, 3/8 X 4 1/2	2

CENTER BEARING SUPPORT



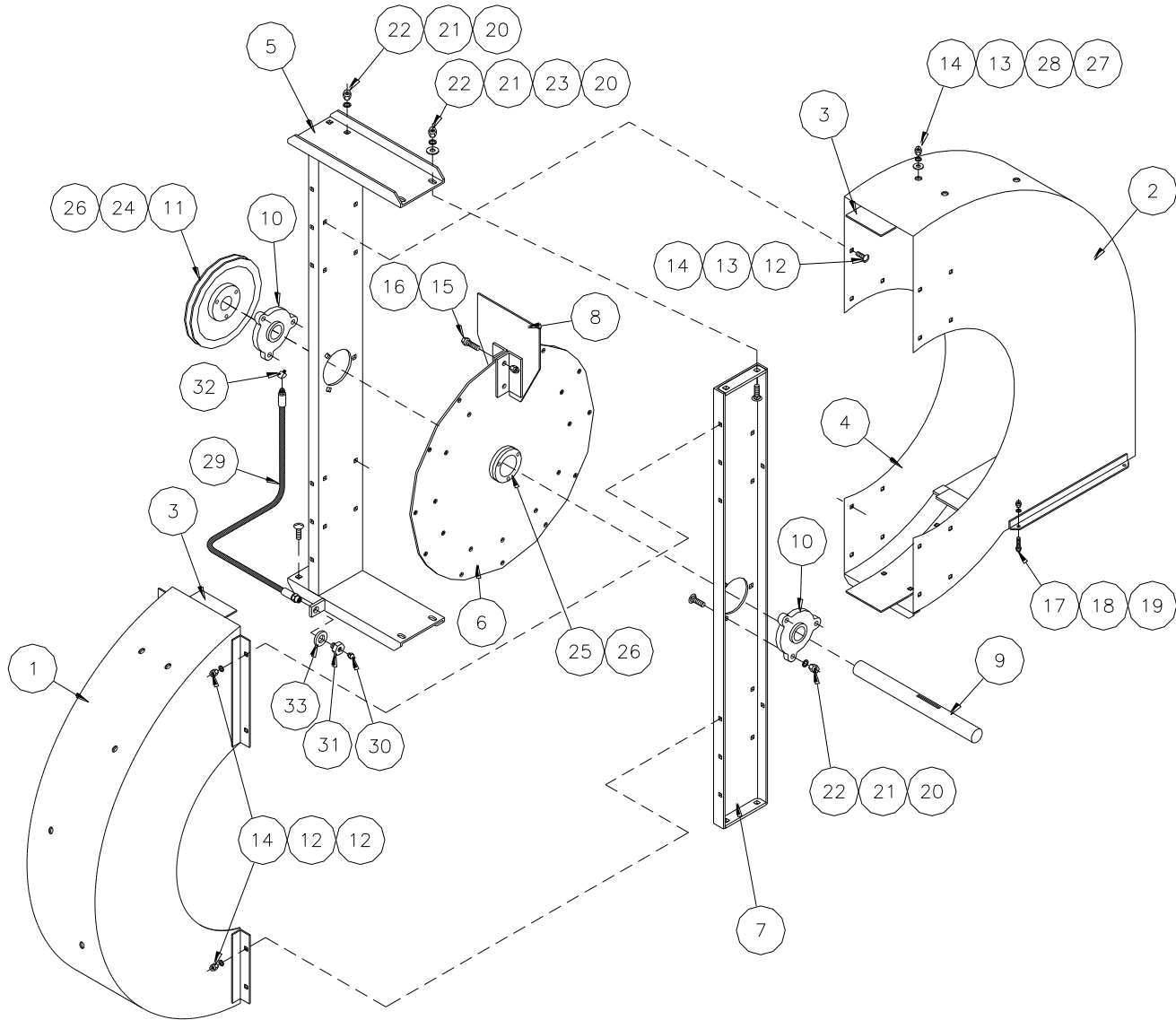
ITEM	PART NO	SERIAL NO OR YR	DESCRIPTION	QTY
1	33-070-135		SUPPORT, CENTER BEARING	1
2	04-050-119		U-BOLT, 5/8	1
3	62-010250		FLATWASHER, 5/8 PLT	2
4	66-010300		LOCKWASHER, 5/8 PLT	2
5	68-010300		HEX NUT, 5/8 PLT	2
6	33-051-048		BEARING, 1 3/4 PILLOW	1
7	48-090600		CAPSCREW, 1/2 X 2 G5 PLT	4
8	33-028-620		CHANNEL, BEARING MOUNT	1
9	66-010250		LOCKWASHER, 1/2 PLT	6
10	68-010250		HEX NUT, 1/2 PLT	6
11	48-090592		CAPSCREW, 1/2 X 1 1/4 G5 PLT	2
12	33-051-066		BEARING, 1 7/16 PILLOW BLOCK	1
13	62-010200		FLATWASHER, 1/2 PLT	4
14	33-050-125		PIPE ADAPTER, 1/8	1

SEPARATOR FAN BRACE SUPPORT



ITEM	PART NO	SERIAL NO OR YR	DESCRIPTION	QTY
1	33-070-296		CROSS MEMBER	1
2	33-070-295		SUPPORT, SEP FAN BRACE	1
3	33-051-048		BEARING, 1 3/4	2
4	33-050-125		PIPE ADAPTER, 1/8	3
5	33-050-206		"U"-BOLT, 5/8 X 4 1/2 X 4 1/16	1
6	62-010250		FLATWASHER, 5/8	2
7	66-010300		LOCKWASHER, 5/8	2
8	68-010300		HEX NUT, 5/8	2
9	48-090625		CAPSCREW, 1/2 X 2 1/2 G5 PLT	4
10	62-010200		FLATWASHER, 1/2	4
11	66-010250		LOCKWASHER, 1/2	4
12	68-010250		HEX NUT, 1/2	4

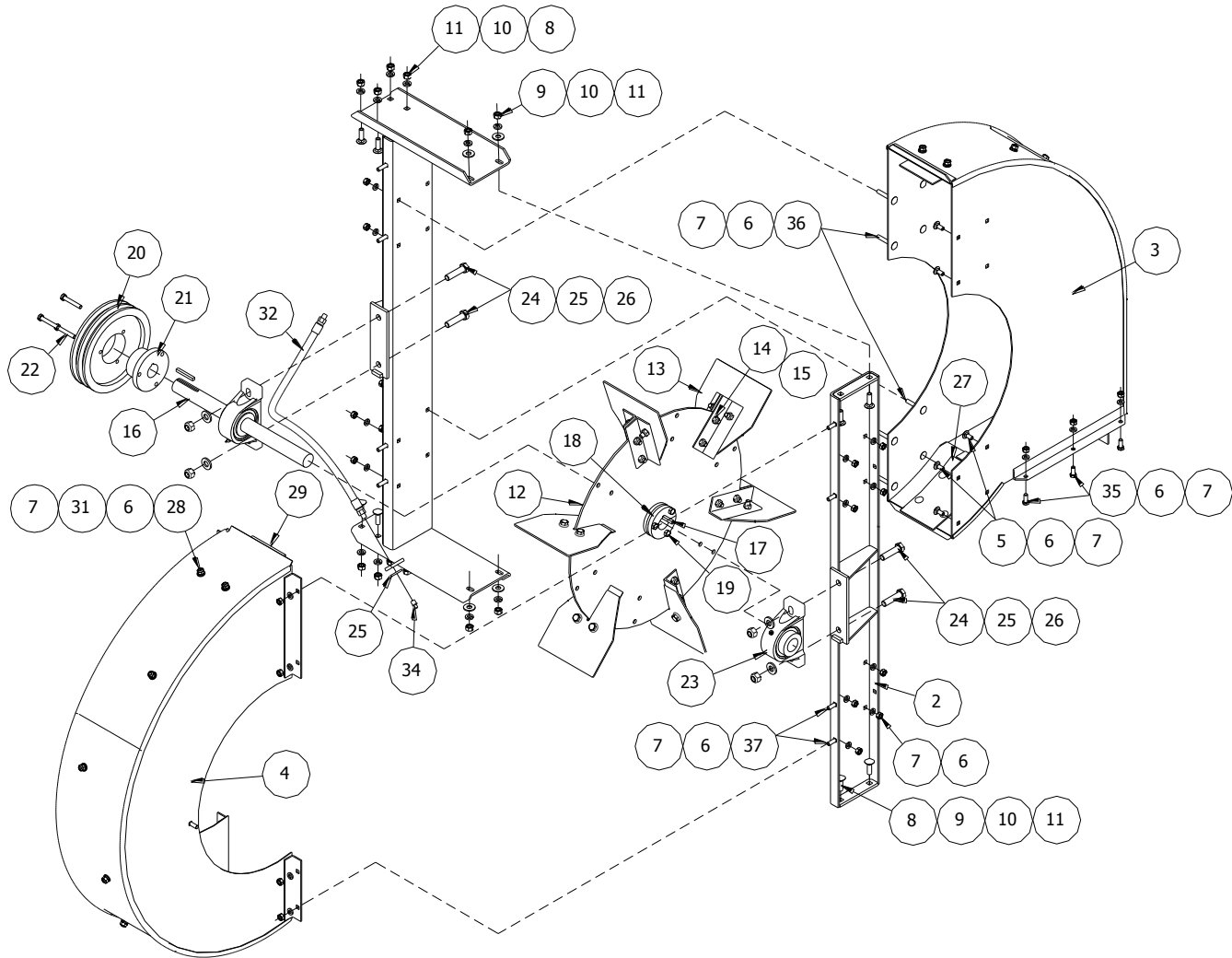
**4-ROW & 6-ROW AIR LIFT FAN
(FROM 2004-2005)**



ITEM	PART NO	SERIAL NO OR YR	DESCRIPTION	QTY
1	33-080-844		HOUSING, AL FAN REAR	1
2	33-070-030	(2000-)	HOUSING, AL FAN FRONT	1
3	33-028-253		LINER, AL FAN	2
4	33-028-252		LINER, AL FAN LOWER	1
5	33-080-839		FRAME, AL FAN	1
6	33-080-845	(1995-2004)	DISK, FAN	(1)
	33-070-316	(2005-)	FAN DISK	1
7	33-080-837		MOUNT, AL FAN BRG	1
8	33-080-843	(2002-2004)	BLADE, AL FAN	(6)
	33-080-843	(2005-)	BLADE, AL FAN	12

ITEM	PART NO	SERIAL NO OR YR	DESCRIPTION	QTY
9	33-026-268		SHAFT, AL FAN	1
10	33-051-064		BEARING, 1 1/4 BORE UNIT	2
11	33-053-192	(2003-2004)	SHEAVE, 2B-7.4	(1)
	33-053-205	(2005-)	SHEAVE, 2B-8.0	1
12	52-050010		CARRIAGE SCREW, 5/16 X 1 G5 PLT	23
13	66-010100		LOCKWASHER, 5/16 PLT	43
14	68-010100		HEX NUT, 5/16 PLT	43
15	48-090150	(1995-2004)	CAPSCREW, 3/8 X 1 1/4 G5 PLT	(12)
	48-090150	(2005-)	CAPSCREW, 3/8 X 1 1/4 G5 PLT	24
16	72-010050	(1995-2004)	LOCKNUT, 3/8 G8 PLT	(12)
	72-010050	(2005-)	LOCKNUT, 3/8 G8 PLT	24
17	48-090043	(2002-)	CAPSCREW, 5/16 X 3/4 G5 PLT	6
18	66-010100	(2002-)	LOCKWASHER, 5/16 PLT	6
19	68-010100	(2002-)	HEX NUT, 5/16 PLT	6
20	52-050040		CARRIAGE SCREW, 3/8 X 1 1/4	18
21	66-010150		LOCKWASHER, 3/8 PLT	18
22	68-010150		HEX NUT, 3/8 PLT	18
23	62-010100		FLATWASHER, 3/8 STD PLT	10
24	33-053-191	(2003-)	BUSHING, SF-QD 1 1/4	1
25	03-052-039		TAPER BUSHING, P1 1 1/4	1
26	03-026-016		KEY, 1/4 X 2	2
27	52-050005		CARRIAGE SCREW, 5/16 X 3/4 G5	20
28	62-010050		FLATWASHER, 5/16 STD PLT	20
29	33-059-070		HOSE, 1/4 ID X 24" LONG	1
30	03-050-013		FITTING, 1/8" NPT STRAIGHT	1
31	33-059-003		ADAPTOR, HOSE	1
32	33-059-087		ADAPTOR, GREASE HOSE	1
33	62-010200	(2002-)	FLAT WASHER, 1/2 STD PLT	1

4-ROW & 6-ROW AIR LIFT FAN (2006 TO PRESENT)



ITEM	PART NO	SERIAL NO OR YR	DESCRIPTION	QTY
1	33-070-355		FRAME, A.L. WELDT	1
2	33-070-356		MOUNT, A.L. FAN BRG	1
3	33-070-357		HOUSING, A.L. FAN FRONT	1
4	33-070-358		HOUSING, A.L. FAN REAR	1
5	52-030100		CARRIAGE SCREW, 5/16 X 3/4 G5 P	8
6	66-010100		LOCKWASHER, 5/16 PLT	50
7	68-010100		HEX NUT, 5/16 PLT	50
8	52-050040		CARRIAGE SCREW, 3/8 X 1 1/4 G5 P	12
9	62-010100		FLATWASHER, 3/8 PLT	10
10	66-010150		LOCKWASHER, 3/8 PLT	12
11	66-010150		HEX NUT, 3/8 PLT	12
12	33-070-316		FAN DISK	1

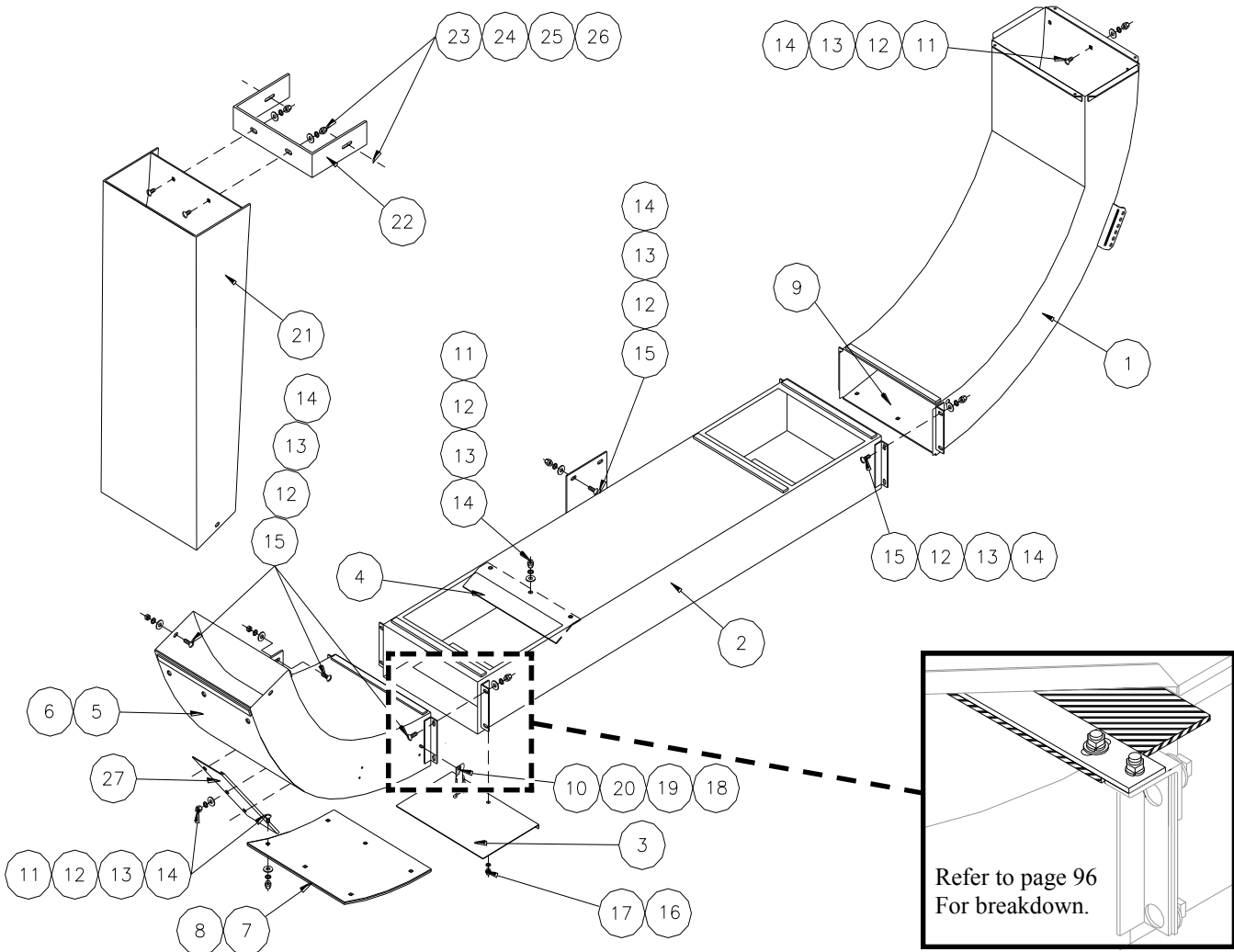
ITEM	PART NO	SERIAL NO OR YR	DESCRIPTION	QTY
13	33-080-843	(-2007)	BLADE, A.L. FAN	(12)
	33-081-394	(2008-)	BLADE, A.L. FAN	6
14	48-090150	(-2007)	CAPSCREW, 3/8 X 1 1/4 G5 PLT	(24)
	48-090100	(2008-)	CAPSCREW, 3/8 X 1 G5 PLT	12
15	72-010050		LOCKNUT, 3/8 STOVER G"B" PLT	24
16	33-026-378		SHAFT, FAN DISK	1
17	03-026-016		KEY, 1/4 X 2	2
18	03-052-039		TAPER BUSHING, P1 1 1/4	1
19	48-090036		CAPSCREW, 5/16 X 1 G5 PLT	3
20	33-053-205		SHEAVE, 2B-8.0	1
21	33-053-191		BUSHING, SK 1 1/4	1
22	48-090038		CAPSCREW, 5/16 X 2 G5 PLT	3
23	33-051-080		BEARING, PILLOW BLOCK 1.25	2
24	48-090600		CAPSCREW, 1/2 X 2 G5 PLT	4
25	17-050-003		FLATWASHER, 1/2 HARDENED	5
26	72-010100		LOCKNUT, 1/2 STOVER G"B" PLT	4
27	33-028-974		LINER, A.L. FAN BOTTOM	1
28	52-050005		CARRIAGE SCREW, 5/16 X 3/4 G5 P	20
29	33-028-976		LINER, A.L. FAN REAR	1
30	33-028-975		LINER, A.L. FAN FRONT	1
31	62-010050		FLATWASHER, 5/16 STD PLT	20
32	33-059-070		HOSE, 1/4 ID X 24" LONG	1
33	33-059-003		ADAPTER, 4MP-2FP	1
34	03-050-013		FITTING, 1/8-NPT GREASE	1
35	48-090043		CAPSCREW, 5/16 X 3/4 G5 PLT	6
36	52-050025		CARRIAGE SCREW, 5/16 X 2 G5 PLT	8
37	52-050010		CARRIAGE SCREW, 5/16 X 1 G5 PLT	4
38	33-059-003		ADAPTER, 4MP-2FP	1

AIR LIFT FAN BLADE

(33-081-394) (ITEM 13)

ITEM	PART NO	SERIAL NO OR YR	DESCRIPTION	QTY
39	33-025-448		ANGLE, FAN BLADE MOUNT	1
40	33-025-449		ANGLE FAN MOUNTING	1
41	33-028-986		BLADE, FAN 2008	1
42	72-010050		LOCKNUT, 3/8 NC STOVER	2
43	80-070000		CAPSCREW, 3/8-16 X 3/4 FLANGE	2

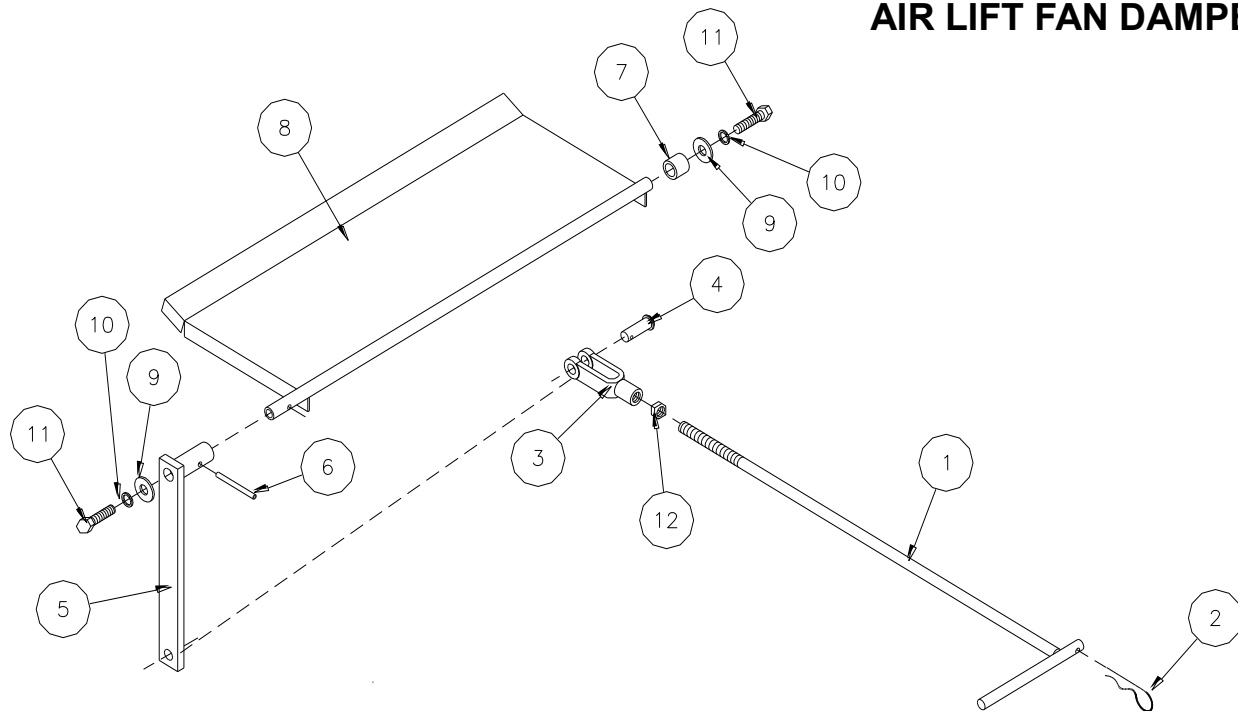
AIR LIFT FAN DUCTS



ITEM	PART NO	SERIAL NO OR YR	DESCRIPTION	QTY
1	33-070-029		DUCT, A.L. FAN ELBOW	1
2	33-080-834		DUCT, AIR LIFT	1
3	33-028-224		PLATE, DOOR	2
4	33-028-236		BAFFLE, DROP	1
5	33-080-905		DUCT, PEANUT ELBOW	1
6	33-028-342	(-2010)	LINER, PEANUT ELBOW	(1)
	33-050-436	(2011-)	LINER, PEANUT ELBOW BLK	1
7	33-028-269		DOOR, PEANUT ELBOW ACCESS	1
8	33-028-270	(-2010)	LINER, ACCESS DOOR	(1)
	33-050-433	(2011-)	LINER, ACCESS DOOR BLK	1
9	33-028-338		LINER, A.L. FAN ELBOW DUCT	1
10	33-050-226		CATCH	4
11	52-050005		CARRIAGE SCREW, 5/16 X 3/4	30
12	62-010050		FLATWASHER, 5/16 PLT	44
13	66-010100		LOCKWASHER, 5/16 PLT	44
14	68-010100		HEX NUT, 5/16 PLT	44
15	52-050010		CARRIAGE SCREW, 5/16 X 1	14
16	66-010050		LOCKWASHER, 1/4	2

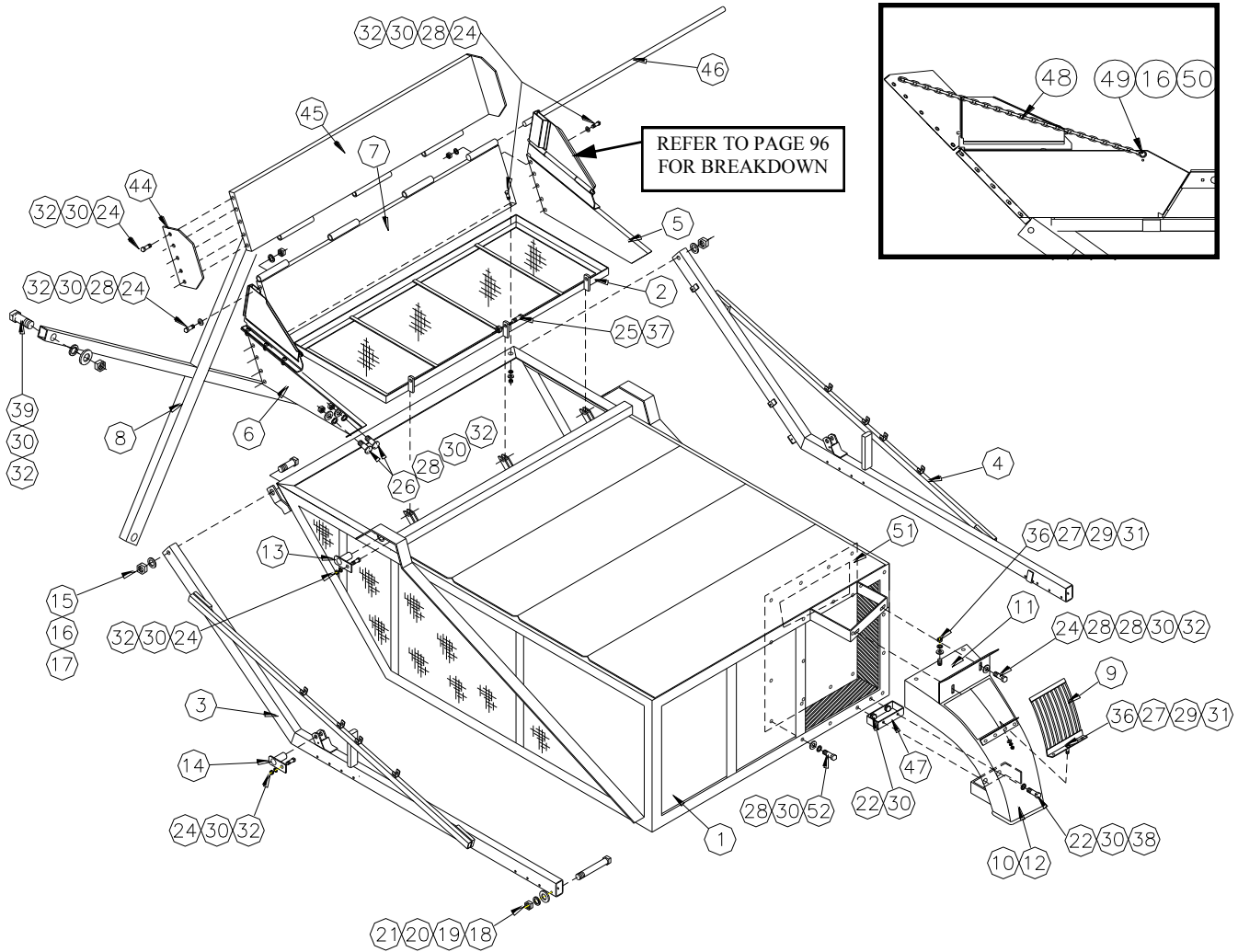
ITEM	PART NO	SERIAL NO OR YR	DESCRIPTION	QTY
17	68-010050		HEX NUT, 1/4	2
18	58-020050		MACHINE SCREW, #10 X 1/2	8
19	66-010025		LOCKWASHER, #10	8
20	68-010020		HEX NUT, #10	8
21	33-080-875		MAIN DUCT, 4RWB	1
22	33-023-716		BRACKET, MOUNTING DUCT	1
23	52-050040		CARRIAGE SCREW, 3/8 X 1 1/4 G5 PLT	4
24	62-010100		FLATWASHER, 3/8	4
25	66-010150		LOCKWASHER, 3/8	4
26	68-010150		HEX NUT, 3/8	4
27	33-028-594	(-2010)	SHEET, LIP PROTECTOR (Use with 1/8" Duct Liners)	(1)

AIR LIFT FAN DAMPER



ITEM	PART NO	SERIAL NO OR YR	DESCRIPTION	QTY
1	33-080-838		HANDLE, DAMPER	1
2	05-050-009		HAIR COTTER PIN	1
3	33-050-218		YOKE, ADJUSTABLE	1
4	33-050-219		PIN, YOKE	1
5	33-080-847		ARM, DAMPER	1
6	17-050-007		ROLL PIN, 1/8 X 1 1/2	1
7	33-026-311		BUSHING, 9/16 X 25/64 X 1/2	1
8	33-080-848		DAMPER, AIR	1
9	62-010010		FLATWASHER, 1/4 PLT	2
10	66-010050		LOCKWASHER, 1/4 PLT	2
11	48-090015		CAPSCREW, 1/4 X 1 G5 PLT	2
12	70-010030		JAM NUT, 5/16 NF PLT	1

4-ROW WIDE BODY & 6-ROW TANK

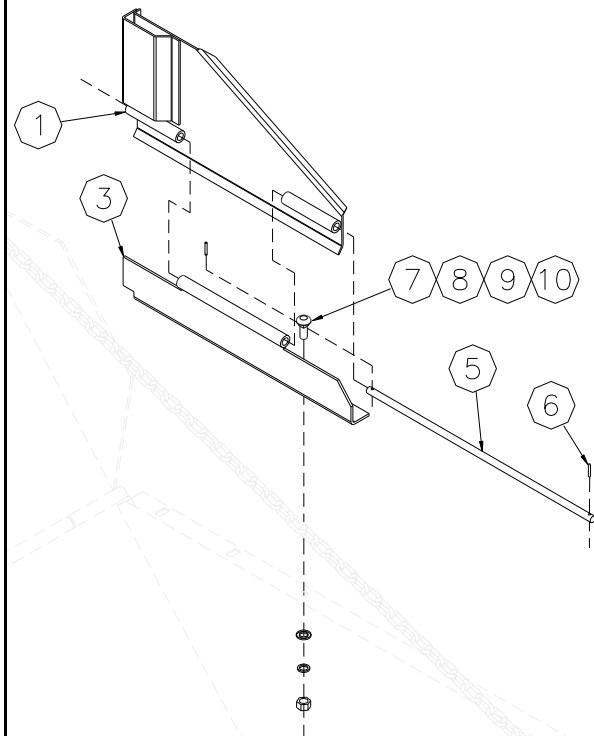
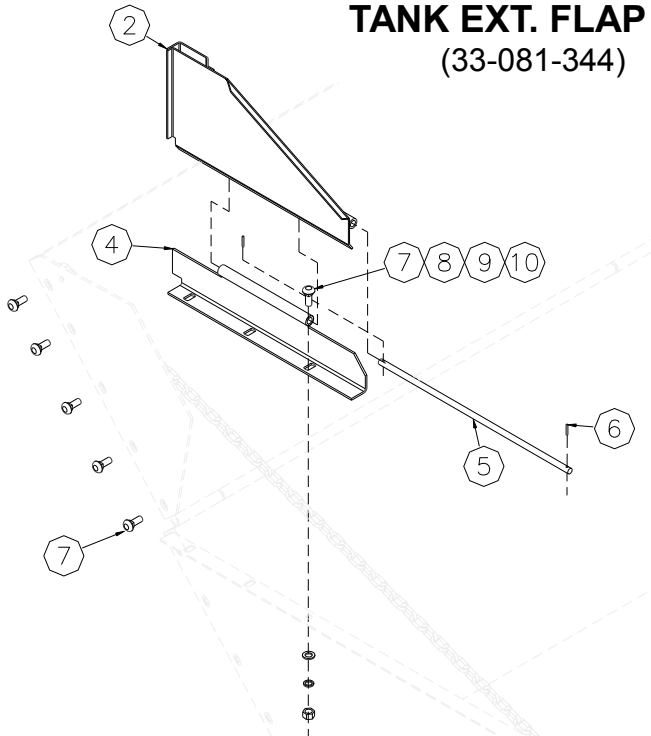


ITEM	PART NO	SERIAL NO OR YR	DESCRIPTION	4R	6R
1	33-080-874		TANK, 4RWB	1	-
	33-080-921		TANK, 6R	-	1
2	33-080-644		LID, 6R TANK	1	1
3	33-080-613		ARM, FRONT TANK MOUNT	1	1
4	33-080-614		ARM, REAR TANK MOUNT	1	1
5	33-028-277		SUPPORT, REAR LIP	1	-
	33-080-682		SUPPORT, LT LIP	-	1
6	33-028-276		SUPPORT, FRONT LIP	1	-
	33-080-683		SUPPORT, RT. LIP	-	1
7	33-080-855		LIP, STATIONARY TANK	1	-
	33-080-758		LIP, STATIONARY TANK	-	1
8	33-080-607		CROSS TUBE, TANK	1	1
9	33-080-867		SCREEN, DIRT	1	1
10	33-080-863		DUCT, TANK	1	1

ITEM	PART NO	SERIAL NO OR YR	DESCRIPTION	4R	6R
11	33-028-300	(-2010)	LINER, TANK DUCT TOP	(1)	(1)
	33-050-434	(2011-)	LINER, TANK DUCT TOP BLK	1	1
12	33-028-301	(-2010)	LINER, TANK DUCT BOTTOM	(1)	(1)
	33-050-435	(2011-)	LINER, TANK DUCT BOTTOM BLK	1	1
13	33-080-609		PIN, TOP CYLINDER	2	2
14	33-080-608		PIN, LOWER CYLINDER	2	2
15	48-102000		CAPSCREW, 1 1/4 X 6 NF G5 P	2	2
16	62-010500		FLATWASHER, 1 1/4 PLT	2	2
17	72-021000		LOCKNUT, 1 1/4 NF G"B" W/NYL	2	2
18	48-091075		CAPSCREW, 5/8 X 4 1/2 G5 PLT	12	12
19	62-010250		FLATWASHER, 5/8 PLT	12	12
20	66-010300		LOCKWASHER, 5/8 PLT	12	12
21	68-010300		HEX NUT, 5/8 PLT	12	12
22	48-090170		CAPSCREW, 3/8 X 1 1/2 G5 PLT	2	4
24	48-090100		CAPSCREW, 3/8 X 1 G5 PLT	19	29
25	48-090595		CAPSCREW, 1/2 X 1 1/2 G5 PLT	3	3
26	52-050035		CARRIAGE SCREW, 3/8 X 1 G5 P	10	14
27	62-010050		FLATWASHER, 5/16 PLT	20	24
28	62-010100		FLATWASHER, 3/8 PLT	43	49
29	66-010100		LOCKWASHER, 5/16 PLT	20	20
30	66-010150		LOCKWASHER, 3/8 PLT	51	67
31	68-010100		HEX NUT, 5/16 PLT	20	20
32	68-010150		HEX NUT, 3/8 PLT	33	49
36	52-050005		CARRIAGE SCREW, 5/16 X 3/4	20	20
37	72-010100		LOCKNUT, 1/2 HEX G"B' PLT	3	3
38	33-023-670		CLAMP, DUCT STAND-OFF	1	1
39	48-090185		CAPSCREW, 3/8 X 1 3/4 G5 PLT	4	4
44	33-023-103		END LIP, (6-ROW)	-	2
	33-028-423		END LIP (6X40/8X30)	-	2
45	33-080-759		LIP, PIVOT TANK (6-ROW)	-	1
	33-080-967		LIP, PIVOT TANK (6X40/8X30)	-	1
46	33-026-254		PIN, LIP PIVOT	-	1
47	33-028-433		SPACER, DUCT	-	1
48	33-050-268		CHAIN, 56 LINKS	-	2
49	48-090037		CAPSCREW, 5/16 X 1 1/4 G5 PLT	-	4
50	72-010025		LOCKNUT, 5/16 G"B" PLT	-	4
51	33-070-047		PANEL, 4R TANK	1	-
	33-070-048		PANEL, 6R TANK	-	1
52	48-090100		CAPSCREW, 3/8 X 1 G5 PLT	16	16

TANK EXT. FLAP KIT

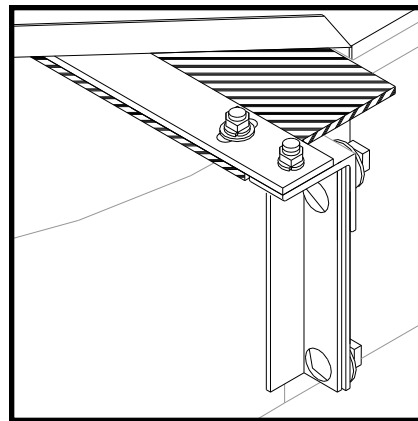
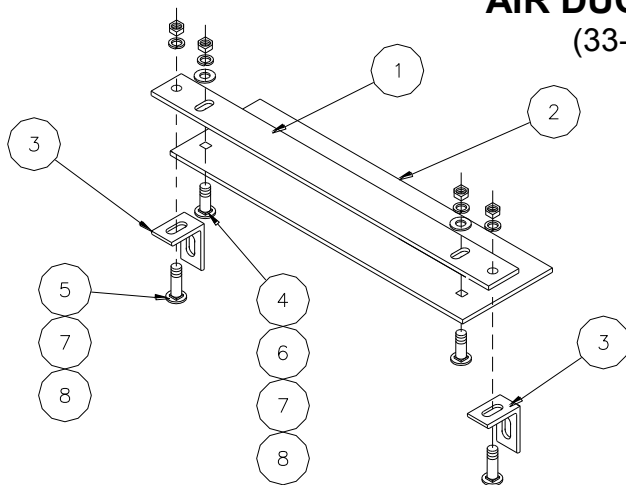
(33-081-344)



ITEM	PART NO	SERIAL NO OR YR	DESCRIPTION	QTY
1	33-070-233		FRONT, EXT FLAP	1
2	33-070-235		REAR EXT FLAP	1
3	33-070-234		HINGE FRONT, EXT FLAP BASE	1
4	33-070-236		HINGE REAR, EXT FLAP BASE	1
5	33-026-363		HINGE PIN, EXT FLAP	2
6	76-010000		COTTER PIN, 7/64 X 3/4	4
7	52-050035		CARRIAGE SCREW, 3/8 X 1 G5 PLT	18
8	62-010100		FLATWASHER, 3/8 STD PLT	18
9	66-010150		LOCKWASHER, 3/8 PLT	18
10	68-010150		HEX NUT, 3/8 PLT	18

AIR DUCT SEAL KIT

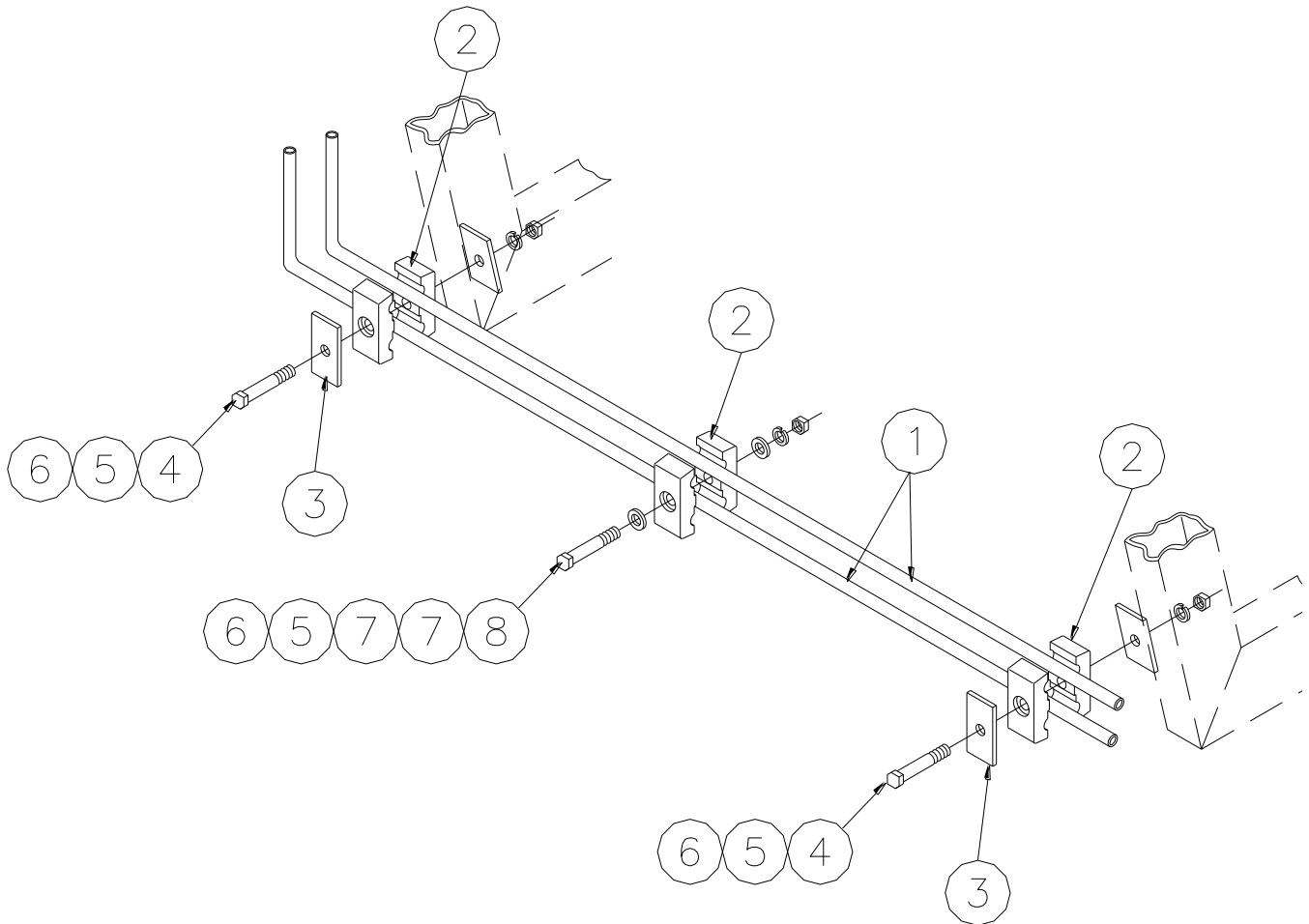
(33-081-224)



ITEM	PART NO	SERIAL NO OR YR	DESCRIPTION	QTY
1	33-023-828		CROSS BAR	1
2	33-050-240		PLASTIC COVER	1

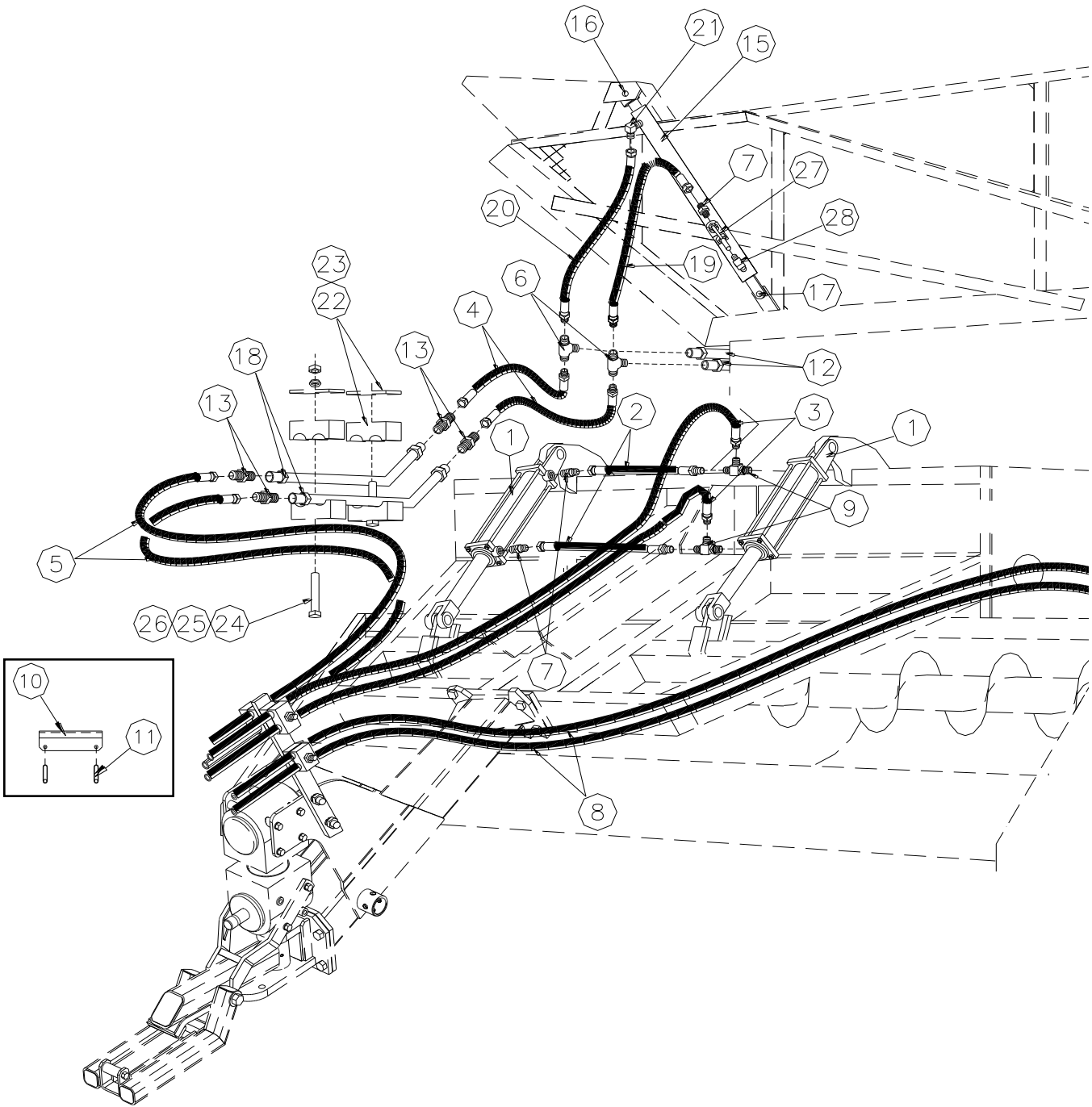
ITEM	PART NO	SERIAL NO OR YR	DESCRIPTION	QTY
3	33-025-360		SUPPORTS ANGLES	2
4	52-050005		CARRIAGE SCREW, 5/16 X 3/4 G5 PLT	2
5	52-050010		CARRIAGE SCREW, 5/16 X 1 G5 PLT	2
6	62-010050		FLATWASHER, 5/16 PLT	2
7	66-010100		LOCKWASHER, 5/16 PLT	4
8	68-010100		HEX NUT, 5/16 PLT	4

TANK PIPE TUBE CLAMPS



ITEM	PART NO	SERIAL NO OR YR	DESCRIPTION	QTY
1	33-024-376		PIPE, TANK	2
2	33-050-256		CLAMP, TUBE	3
3	33-050-160		COVER, PLATE	2
4	48-090050		CAPSCREW, 5/16 X 2 1/2	2
5	66-010100		LOCKWASHER, 5/16	3
6	68-010100		HEX NUT, 5/16	3
7	62-010050		FLATWASHER, 5/16	2
8	48-090035		CAPSCREW, 5/16 X 2	1

4X36, 4X40, 6X30, 6X36, & 6X40/8X30 HYDRAULIC GROUP

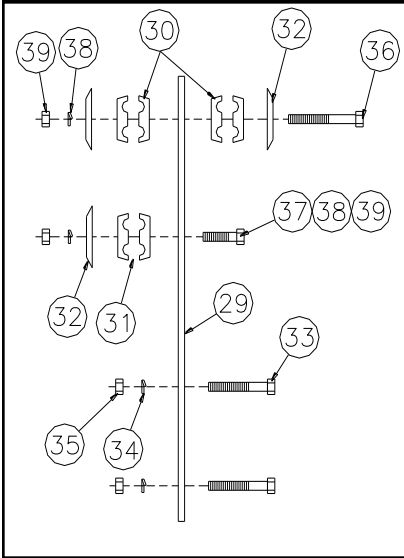


ITEM	PART NO	SERIAL NO OR YR	DESCRIPTION	4X36	6X30	6X40
				4X40	6X36	8x30
1	33-061-121		CYLINDER, 3 1/2 X 6 HYD	1	-	-
	33-061-120		CYLINDER, 3 X 6 HYD	-	2	2
2	33-059-093		HOSE, 6M3K-8FJX-8FJX-42"	-	2	-
	33-059-100		HOSE, 6M3K-8FJX-8FJX-54"	-	-	2

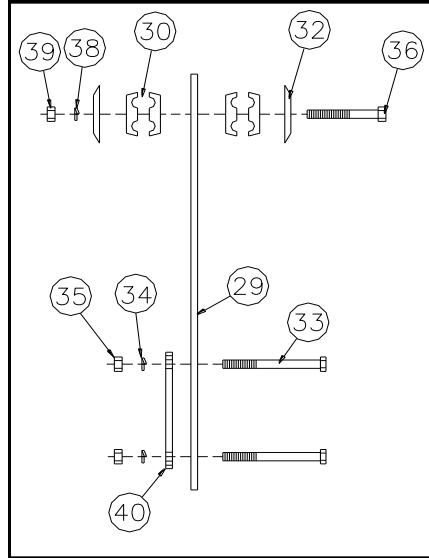
ITEM	PART NO	SERIAL NO OR YR	DESCRIPTION	4X36 4X40	6X30 6X36	6X40 8x30
3	33-059-096		HOSE, 6M3K-8FJX-8MP-162"	2	-	-
	33-059-109		HOSE, 6M3K-8FJX-8MP-145"	-	2	2
4	33-059-092		HOSE, 6M3K-8FJX-8FJX-30"	2	2	2
5	33-059-110		HOSE, 6M3K-8FJX-8MP-190"	2	-	-
	33-059-097		HOSE, 6M3K-8FJX-8MP-174"	-	2	2
6	33-059-091		ADAPTER, 8MJ-8MJ-8MJ	2	2	2
7	33-059-080		ADAPTER, 8MB-8MJ	4	4	4
8	33-059-082		HOSE, 8M3K-10FJX-8FJX-226"	2	-	-
	33-059-089		HOSE, 8M3K-10FJX-8FJX-264"	-	2	2
9	33-059-083		ADAPTER, 8MB-8MJ-8MJ RUN	2	2	2
10	21-027-004		WHEEL TRANSPORT	1	2	2
11	21-050-012		SNAPPER PIN, 3/8 X 2 3/4	2	2	2
12	33-024-376		PIPE, TANK	2	2	2
13	33-059-090		ADAPTER, 8MJ-8MJ	6	6	6
15	33-061-099		CYLINDER, 3 X 43	2	2	2
16	33-080-609		PIN, TOP CYLINDER	2	2	2
17	33-080-608		PIN, LOWER CYLINDER	2	2	2
18	33-024-375		SIDE, PIPE	2	2	2
19	33-059-099		HOSE, 6M3K-8FJX-8FJX-24"	2	2	2
20	33-059-100		HOSE, 6M3K-8FJX-8FJX-54"	2	2	2
21	33-059-020		ADAPTER, 8MB-8MJ-90	2	2	2
22	33-050-256		CLAMP, TUBE	2	2	2
23	33-050-160		COVER, PLATE	2	2	2
24	48-090050		CAPSCREW, 5/16 X 2 1/2	2	2	2
25	66-010100		LOCKWASHER, 5/16	2	2	2
26	68-010100		HEX NUT, 5/16	2	2	2
27	33-061-149		BALL VALVE, TANK CYL	2	2	2
	33-061-150		HANDLE, BALL VALVE	-	-	-
	33-061-151		CAP, BALL VALVE	-	-	-
	33-061-152		SCREW, BALL VALVE	-	-	-
28	33-059-123		ADAPTER, 8MB-8MB-90°	2	2	2

HOSE HANGER

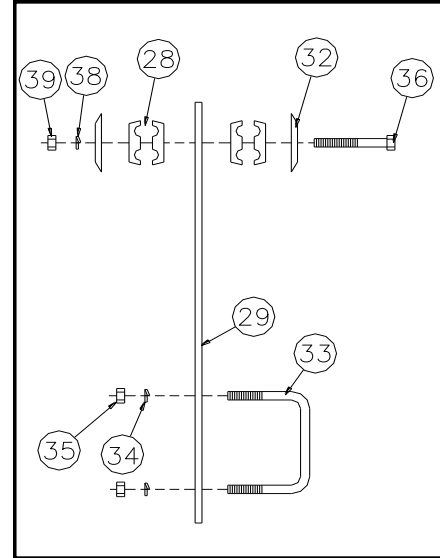
(33-081-334)



(33-081-335)



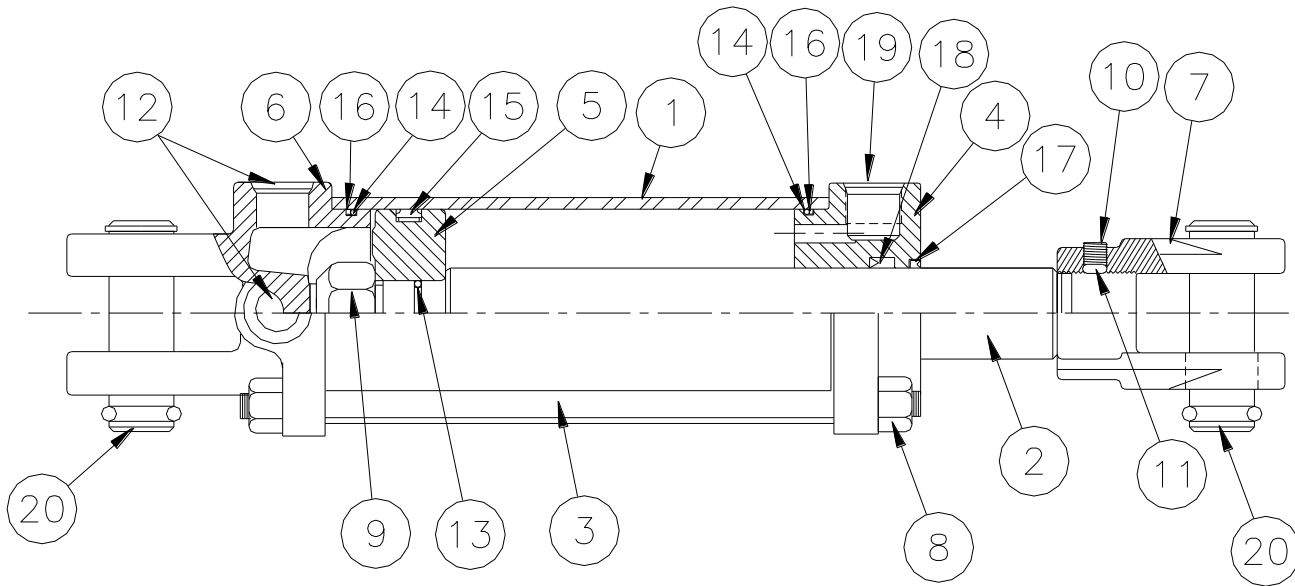
(33-081-336)



ITEM	PART NO	SERIAL NO OR YR	DESCRIPTION	QTY		
				-334	-335	-336
29	33-023-550		HANGER, HOSE	1	1	1
30	33-050-158		CLAMP, HOSE	2	2	2
31	33-050-246		CLAMP, HOSE	1	-	-
32	33-050-160		PLATE, COVER	3	2	2
33	48-090595		CAPSCREW, 1/2 X 1 1/2 G5 P	2	-	-
	48-090900		CAPSCREW, 1/2 X 5 1/2 G5 P	-	2	-
	20-050-005		U-BOLT, 1/2 X 5 9/16 X 4	-	-	1
34	66-010250		LOCKWASHER, 1/2	2	2	2
35	68-010250		HEX NUT, 1/2	2	2	2
36	48-090074		CAPSCREW, 5/16 X 4 1/2 G5	1	1	1
37	48-090070		CAPSCREW, 5/16 X 3 PLT	1	-	-
38	66-010100		LOCKWASHER, 5/16	2	1	1
39	68-010100		HEX NUT, 5/16	2	1	1
40	20-023-019		PLATE, OVER-ROW	-	1	-

BLANK
PAGE

3 X 6 HYDRAULIC CYLINDER (33-061-120) (6X30, 6X36, 6X40 & 8X30)

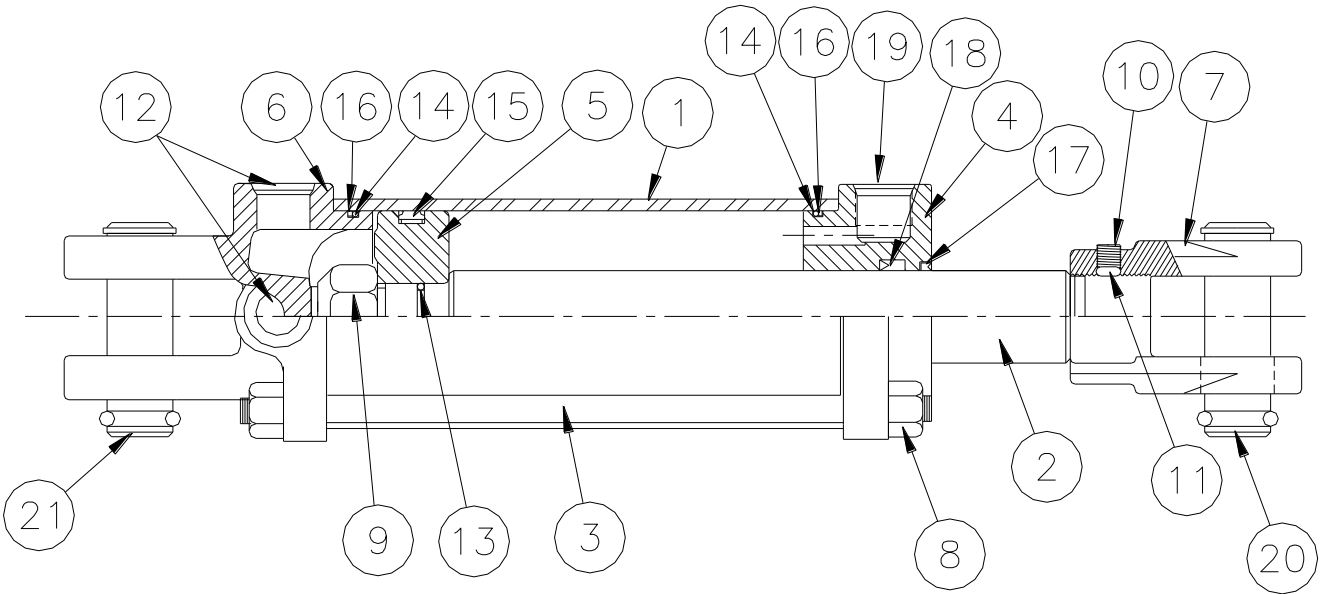


ITEM	PART NO	SERIAL NO OR YR	DESCRIPTION	QTY
1	33-061-025		CYLINDER BODY	1
2	33-061-126		ROD, 1.25D X 13.4	1
3	33-061-027		TIE ROD	4
4	08-061-017		GUIDE, 3"O.D.	1
5	08-061-014		PISTON, 3" DIA	1
6	08-061-013		BOTTOM CLEVIS, 3" DIA	1
7	08-061-019		ROD CLEVIS, 1.25-12	1
8	42-061-030		HEX NUT, 7/16 NC	8
9	33-061-056		HEX JAM NUT, 1-14 UNF	1
10	54-020010		SETSCREW, 3/8 X 3/8 NC	1
11	33-061-036		BALL, NYLON 1/4 O.D.	1
12	21-061-015		PLUG ORING BOSS, 3/4-16	2
13	33-056-021		O-RING, 7/8 I.D. X 1 O.D.	1
14	08-061-003		O-RING, 2 3/4 X 3	2
15	08-061-004		PSP PISTON SEAL, 3" OD	1
16	33-061-033		BACK-UP RING, 2 3/4 X 3	2
17	08-061-016		ROD WIPER, 1.25	1
18	08-061-015		U-CUP, 1.25 X 1.50 X 0.25	1
19	07-061-042		PLUG ORING BOSS, 3/4-16 (PLASTIC)	1
20	21-061-072		CLEVIS PIN AND CLIP	2

USE SEAL KIT # 08-061-012

3 1/2 X 6 HYDRAULIC CYLINDER

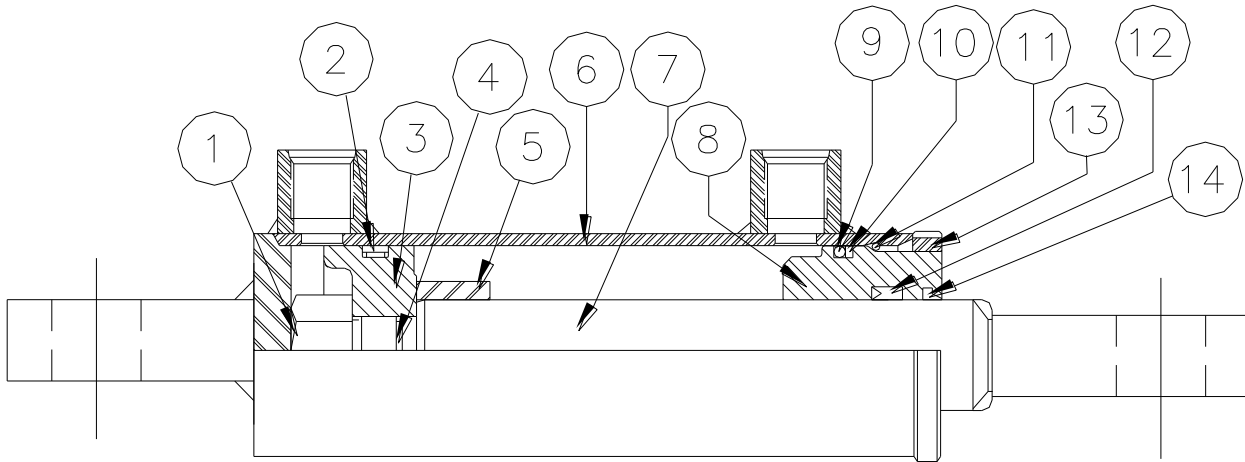
(33-061-121) (4X36, & 4X40)



ITEM	PART NO	SERIAL NO OR YR	DESCRIPTION	QTY
1	33-061-047		WALL, 3.5 ID X .187W X 8.187	1
2	33-061-143		ROD, 1.50D X 13.437	1
3	33-061-049		TIE ROD, .441D X 10.625	4
4	33-061-142		GUIDE, 3"O.D. X 1.5 ID	1
5	33-061-140		PISTON, 3.5" DIA	1
6	33-061-138		BOTTOM CLEVIS, 3.5" DIA	1
7	16-061-048		ROD CLEVIS, 1.50-12	1
8	04-050-012		HEX NUT, 1/2-13 NC	8
9	33-061-139		HEX JAM NUT, 1 1/8-12 UNF	1
10	54-020010		SETSCREW, 3/8 X 3/8 NC	1
11	33-061-036		BALL, NYLON 1/4 O.D.	1
12	21-061-015		PLUG ORING BOSS, 3/4-16	2
13	33-061-141		O-RING, 1.00 I.D. X 1.125 O.D.	1
14	33-056-023		O-RING, 3.25 X 3.50	2
15	33-056-039		PSP PISTON SEAL, 3.5" OD	1
16	33-061-055		BACK-UP RING, 2 3/4 X 3.50	2
17	23-061-038		ROD WIPER, 1.50	1
18	23-061-037		U-CUP, 1.5 X 1.875 X 0.312	1
19	07-061-042		PLUG ORING BOSS, 3/4-16 (PLASTIC)	1
20	21-061-072		CLEVIS PIN AND CLIP	1
21	21-061-071		CLEVIS PIN AND CLIP 1" DIA	1

USE SEAL KIT # 33-061-137

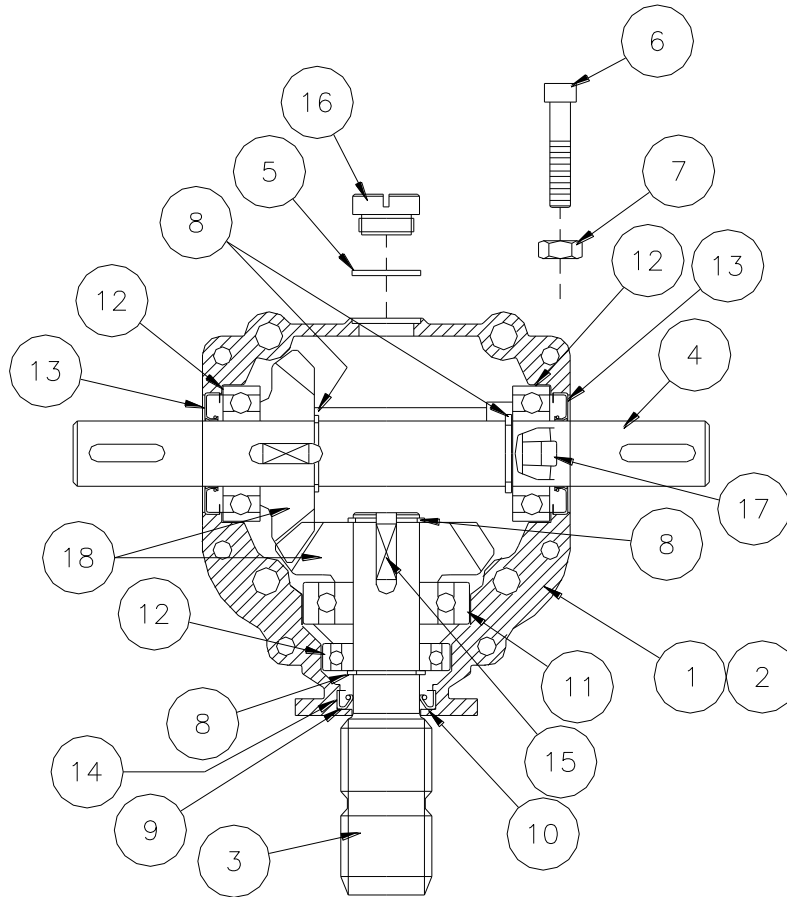
3 X 43 HYDRAULIC CYLINDER (33-061-099)



ITEM	PART NO	SERIAL NO OR YR	DESCRIPTION	QTY
1	03-061-037		LOCKNUT, 7/8-14 REG	1
2	08-061-004		PISTON SEAL, 3.00 BORE	1
3	03-061-022		PISTON, 3.00 DIA	1
4	33-056-041		O-RING, .75 X .875	1
5	33-061-102		TUBE, 1.770 X 2.25 X 1.000	1
6	33-061-103		CYLINDER BODY, 3.00 ID W/C	1
7	33-061-104		ROD, 1.75 DIA W/C	1
8	33-061-105		GUIDE, 3" OD X 1 3/4	1
9	33-061-106		O-RING, 2.812 X 3.00	1
10	33-061-007		BARK-UP RING, 2.812 X 3.00	1
11	33-061-090		U-CLIP LIP, 1.75 X 2.125	1
12	33-061-108		RETAINING RING, INT 3"	1
13	33-061-109		SPANNER NUT, 0.375 X 3.437 OD	1
14	33-061-091		WIPER RING, 1.75	1

USE SEAL KIT # 33-061-070

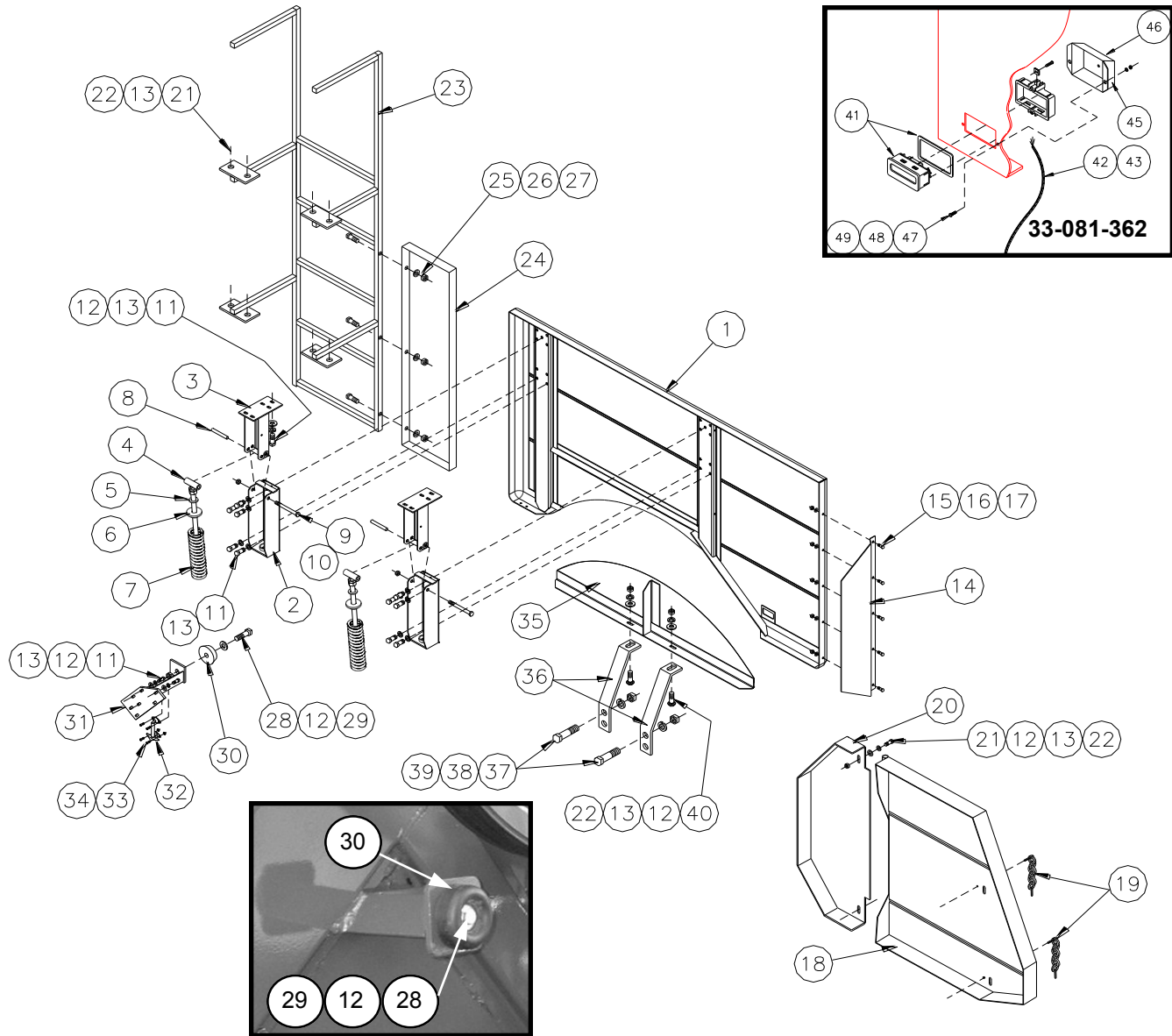
“T” VINE SPREADER GEAR BOX
(33-054-052)



ITEM	PART NO	SERIAL NO OR YR	DESCRIPTION	QTY
1	33-054-102		HALF HOUSING	1
2	33-054-103		CARTER	1
3	33-054-104		SHAFT	1
4	33-054-105		SHAFT	1
5	33-054-106		GASKET	1
6	33-054-107		SCREW	6
7	33-054-108		NUT	6
8	33-054-109		SNAP RING	4
9	33-054-110		RING	1
10	33-054-111		RING	1
11	33-054-112		BALL BEARING	1
12	33-054-113		BALL BEARING	3
13	33-054-114		OIL SEAL	2
14	33-054-115		OIL SEAL	1
15	33-054-116		KEY	2
16	33-054-117		OIL PLUG	1
17	33-054-118		PLUG	1
18	33-054-119		BEVEL GEAR	1

ITEM	PART NO	SERIAL NO OR YR	DESCRIPTION	4R	6R
11	68-010100		HEX NUT, 5/16 PLT	28	28
12	33-070-231		LEFT SHAFT, VINE SPREADER	1	1
13	33-070-232		CTR SHAFT, VINE SPREADER	1	1
14	33-026-328		KEY, 5/16 X 1	3	3
15	54-010100		SETSCREW, 3/8 X 3/4 SQ HD G5	3	5
16	70-010051		JAMNUT, 3/8 PLT	3	5
17	33-053-003		SHEAVE, 5.5 OD X 1B DRIVE	-	1
	33-053-037		SHEAVE, AIR LIFT FAN	1	-
	33-053-038		BUSHING, H-1 TAPER	1	-
18	03-026-042		KEY, 1/4 X 1 9/16	1	1
19	33-053-099		SHEAVE, 1B 16.0	1	1
20	33-053-148		BUSHING, 1 3/4 SK-QD TAPER	1	1
21	33-026-087		KEY, 3/8 X 2 1/2	1	1
22	33-053-188		BELT, BB157	1	-
	33-053-126		BELT, HBB 155	-	1
23	33-033-065		ARM, V.S.IDLER	1	1
24	48-090910		CAPSCREW, 5/8 X 1 1/4 G5 PLT	1	1
25	62-010250		FLATWASHER, 5/8 STD PLT	1	1
26	72-020050		LOCKNUT, 5/8 PLT	1	1
27	33-053-002		IDLER, 4" X 5/8"	2	2
28	48-090984		CAPSCREW, 5/8 X 2 1/2 G5 PLT	2	2
29	62-010250		FLATWASHER, 5/8 STD PLT	12	12
30	66-010300		LOCKWASHER, 5/8 PLT	2	2
31	68-010300		HEX NUT, 5/8 PLT	2	2
32	15-050-002		SPRING, 1 X 7 1/4	1	1
33	03-050-004		CHAIN, 3/16 PROOF	1	1
34	33-023-985		BAR, BEARING MOUNT	1	1
35	48-090170		CAPSCREW, 3/8 X 1 1/2 G5 PLT	2	2
36	04-051-002		FLANGE, 52 MST	2	2
37	03-051-021		BRG, 1" EXTENDED W/COLLAR	1	1
38	52-050019		CARRIAGE SCREW, 5/16 X 1 1/4	2	2
39	33-070-085	(-2008)	PIVOT, VINE SPREADER	(2)	(2)
	33-070-364	(2009-)	PIVOT, VINE SPREADER	2	2
40	33-050-057		BLADE, VINE SPREADER	8	8
41	33-023-227		BRACE, BEATER PLATE REINFO.	8	8
42	52-050048		CARRIAGE SCREW, 3/8 X 1 3/4	16	16
43	33-070-124		V.S. SHEAVE GUARD	1	1
44	33-024-171		GUARD, VINE SPREADER 4R	2	2
45	33-024-290		GUARD. EXTENSION	1	1
46	33-027-679		CUP, VINE STRIPPER	2	2
47	48-090200		CAPSCREW, 3/8 X 2 G5 PLT	8	8
48	33-050-241		CURTAIN, REAR	1	1
49	15-050-089		U-BOLT, 5/16 X 3 3/8 X 2 7/8	8	8
50	33-023-835		PLATE, CAP	8	8
51	33-028-783		SHIELD, V.S. SAFETY	1	1
52	33-028-848		GUARD, SPREAD SEAL	2	2
53	48-090036		CAPSCREW, 5/16 X 1 G5 PLT	2	2

4R & 6R LT SIDE SHIELD GROUP



ITEM	PART NO	SERIAL NO OR YR	DESCRIPTION	4R	6R
1	33-070-312		SHIELD, LT MIDDLE	1	-
	33-070-310		SHIELD, LT MIDDLE	-	1
2	33-070-160		FRAME, MAIN HINGE LEG	2	2
3	33-070-169		FRAME, SPRING BASE	2	2
4	33-070-168		PIVOT, COMPRESSION BOLT	2	2
5	62-020045		FLATWASHER, 3/4	2	2
6	05-080-074		SPRING TOP	2	2
7	17-050-025		COMPRESSION SPRG, 2 1/2X9 1/2	2	2
8	33-026-337		ROUND, SPRING PIVOT PIN	2	2
9	48-200275		CAPSCREW, 1/2 X 5	2	2
10	72-010100		LOCKNUT, 1/2	2	2
11	48-090090		CAPSCREW, 3/8 X 3/4	24	24
12	62-010100		FLATWASHER, 3/8	17	19
13	66-010150		LOCKWASHER, 3/8	34	36

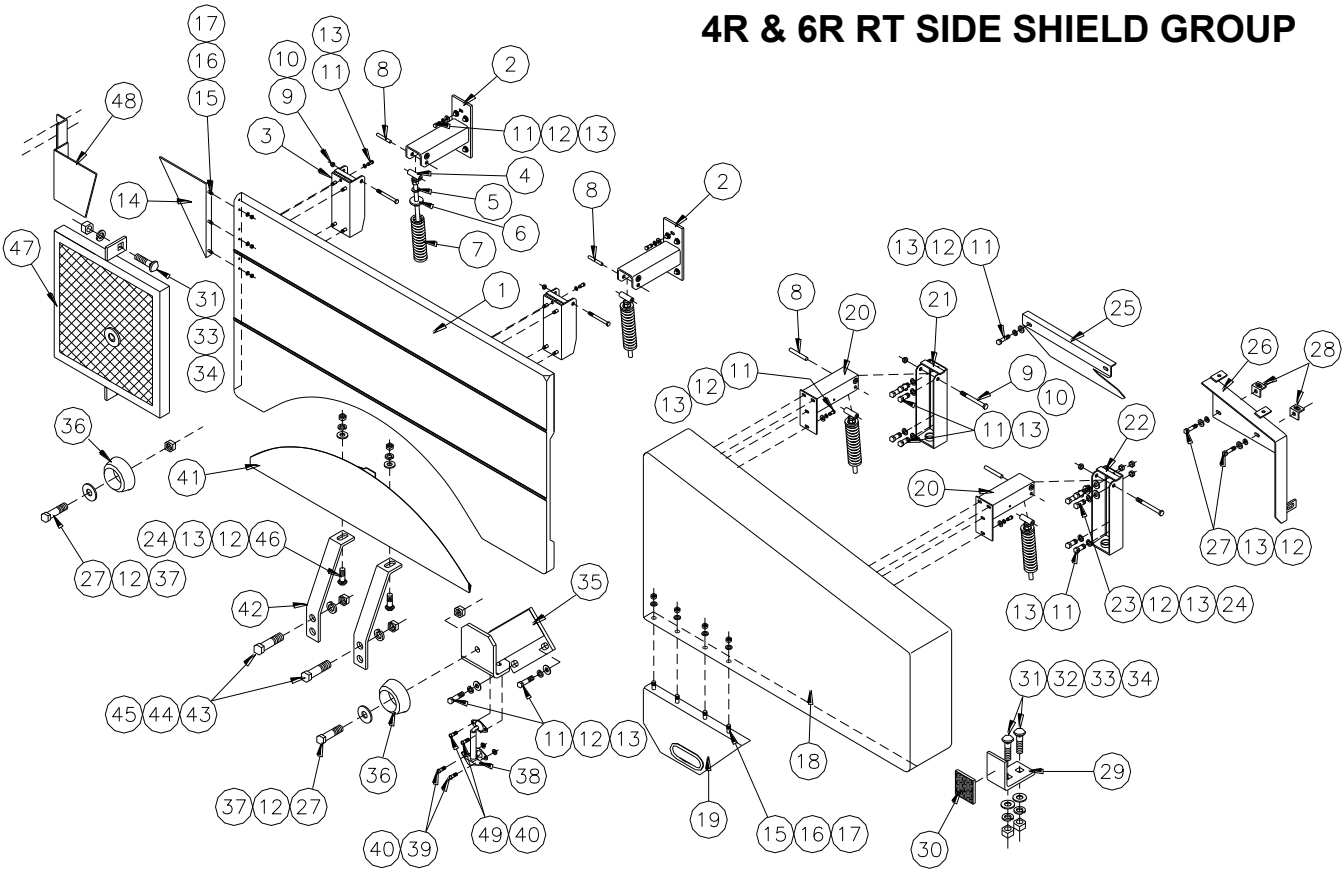
ITEM	PART NO	SERIAL NO OR YR	DESCRIPTION	4R	6R
14	33-028-660		SHEET, LT BOLT-ON	1	1
15	48-090005		CAPSCREW, 1/4 X 5/8	5	5
16	66-010050		LOCKWASHER, 1/4	5	5
17	68-010050		HEX NUT, 1/4	5	5
18	33-080-569		SHIELD, LOWER HEADER	1	1
19	33-050-031		KLICK PIN W/CHAIN	2	2
20	33-080-604		SHIELD, REAR LWR HEADER	1	1
21	48-090100		CAPSCREW, 3/8 X 1	10	10
22	68-010150		HEX NUT, 3/8	10	12
23	33-070-260		LADDER	1	1
24	33-028-812		SHIELD, IMPROVED LADDER	1	1
25	48-090033		CAPSCREW, 5/16 X 1 3/4	3	3
26	66-010100		LOCKWASHER, 5/16	3	3
27	68-010100		HEX NUT, 5/16	3	3
28	48-090150		CAPSCREW, 3/8 X 1 1/4	2	2
29	72-010050		LOCKNUT, 3/8	2	2
30	08-050-014		BUMPER, ACCESS	2	2
31	33-070-305		SHIELD STOP REAR	1	1
32	33-050-279		LATCH, TOP DOOR	1	1
33	58-020102		SCREW, 1/4 X 3/4 SLT PAN HD	4	4
34	78-020040		FLANGE NUT, 1/4-20 WHIZ	4	4
35	33-070-244		SHIELD, LOWER MIDDLE	-	1
36	33-033-086		SUPPORT, LOWER SHIELD	-	2
37	48-200285		CAPSCREW, 1 X 3 1/2	-	2
38	66-010450		LOCKWASHER, 1	-	2
39	68-010450		HEX NUT, 1	-	2
40	52-050040		CARRIAGE SCREW, 3/8 X 1 1/4	-	2

2003 6R TACHOMETER & SENSOR
(33-081-362)

ITEM	PART NO	SERIAL NO OR YR	DESCRIPTION	QTY
41	33-062-080		TACHOMETER, DIGITAL	1
42	33-062-001		LOOM, 3/8 PLASTIC	10FT
43	33-062-081		CLIP, 3/8 LOOM ROSEBUD	8
44	33-081-375		SHIELD, TACH	1
*45	33-070-294		SHIELD, TACHOMETER	1
*46	33-050-410		GROMMET	1
*47	48-090010		CAPSCREW, 1/4 X 3/4 G5 PLT	2
*48	66-010050		LOCKWASHER, 1/4 PLT	2
*49	68-010050		HEX NUT, 1/4 PLT	2

* THESE PARTS MAKE UP 33-081-375 (TACH SHIELD) ITEM 44

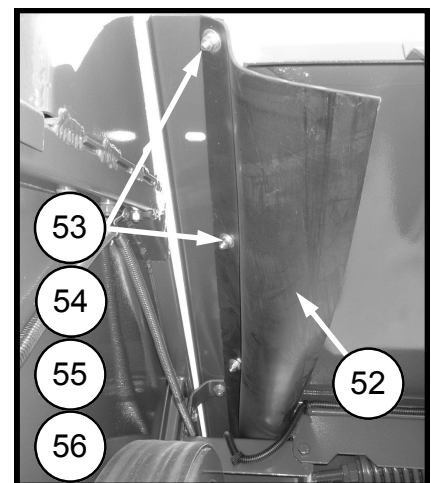
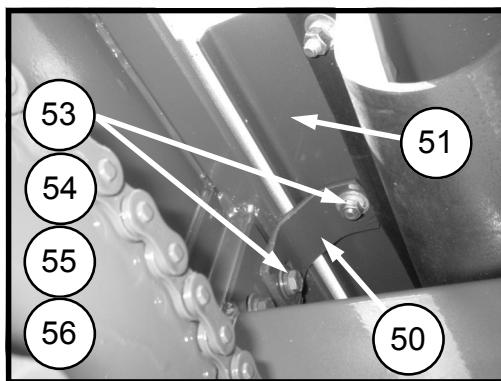
4R & 6R RT SIDE SHIELD GROUP



ITEM	PART NO	SERIAL NO OR YR	DESCRIPTION	4R	6R
1	33-070-313		SHIELD, RT MIDDLE	1	-
	33-070-311		SHIELD, RT MIDDLE	-	1
2	33-070-160		FRAME, MAIN HINGE LEG	2	2
3	33-070-169		FRAME, SPRING BASE	2	2
4	33-070-168		PIVOT, COMPRESSION BOLT	4	4
5	62-020045		FLATWASHER, 3/4	4	4
6	05-080-074		SPRING TOP	4	4
7	17-050-025		COMP. SPRING, 2 1/2 X 9 1/2	4	4
8	33-026-337		ROUND, SPRING PIVOT PIN	4	4
9	48-200275		CAPSCREW, 1/2 X 5	4	4
10	72-010100		LOCKNUT, 1/2	4	4
11	48-090090		CAPSCREW, 3/8 X 3/4	41	41
12	62-010100		FLATWASHER, 3/8	30	32
13	66-010150		LOCKWASHER, 3/8	46	48
14	33-028-305		EXTENSION, RT MIDDLE	1	1
15	48-090005		CAPSCREW, 1/4 X 5/8	7	7
16	66-010050		LOCKWASHER, 1/4	7	7
17	68-010050		HEX NUT, 1/4	7	7
18	33-070-172		SHIELD, RT FRONT	1	1
19	33-028-635		SHIELD, FRONT LOWER	1	1
20	33-070-166		FRAME, HINGE LEG	2	2
21	33-070-169		FRAME, SPRING BASE	1	1
22	33-070-167		FRAME, FRONT SPRING BASE	1	1
23	48-090100		CAPSCREW, 3/8 X 1	3	3
24	68-010150		HEX NUT, 3/8	3	5

ITEM	PART NO	SERIAL NO OR YR	DESCRIPTION	4R	6R
25	33-028-682		SHEET, BELT GUARD	1	1
26	33-070-164		SHIELD, RT FRT BOLT-ON	1	1
27	48-090150		CAPSCREW, 3/8 X 1 1/4	2	2
28	33-080-205		BRACKET, PIPE CLAMP	2	2
29	33-033-095		STOP, FRONT SHIELD	1	1
30	33-033-085	(2002-2004)	PAD, FRONT SHIELD BUMP	1	1
31	52-050010		CARRIAGE SCREW, 5/16 X 1	4	4
32	62-010050		FLATWASHER, 5/16	2	2
33	66-010100		LOCKWASHER, 5/16	4	4
34	68-010100		HEX NUT, 5/16	4	4
35	33-070-171		SHIELD STOP FRONT	1	1
36	08-050-014		BUMPER, ACCESS	1	1
37	72-010050		LOCKNUT, 3/8	1	1
38	33-050-279		LATCH, TOP DOOR	1	1
39	58-020400		SCREW, 1/4 X 1/2 SLT PAN HD	4	4
40	78-020040		FLANGE NUT, 1/4-20 WHIZ	4	4
41	33-070-244		SHIELD, LOWER MIDDLE	-	1
42	33-033-086		SUPPORT, LOWER SHIELD	-	2
43	48-200285		CAPSCREW, 1 X 3 1/2	-	2
44	66-010450		LOCKWASHER, 1	-	2
45	68-010450		HEX NUT, 1	-	2
46	52-050040		CARRIAGE SCREW, 3/8 X 1 1/4	-	2
47	33-080-836	(-2005)	SHIELD, FAN	(1)	(1)
	33-070-360	(2006-)	SHIELD, FAN	1	1
48	33-080-864		SHIELD, RT REAR	1	1
49	58-020102		SCREW, 1/4 X 3/4 SLT PAN HD	2	2

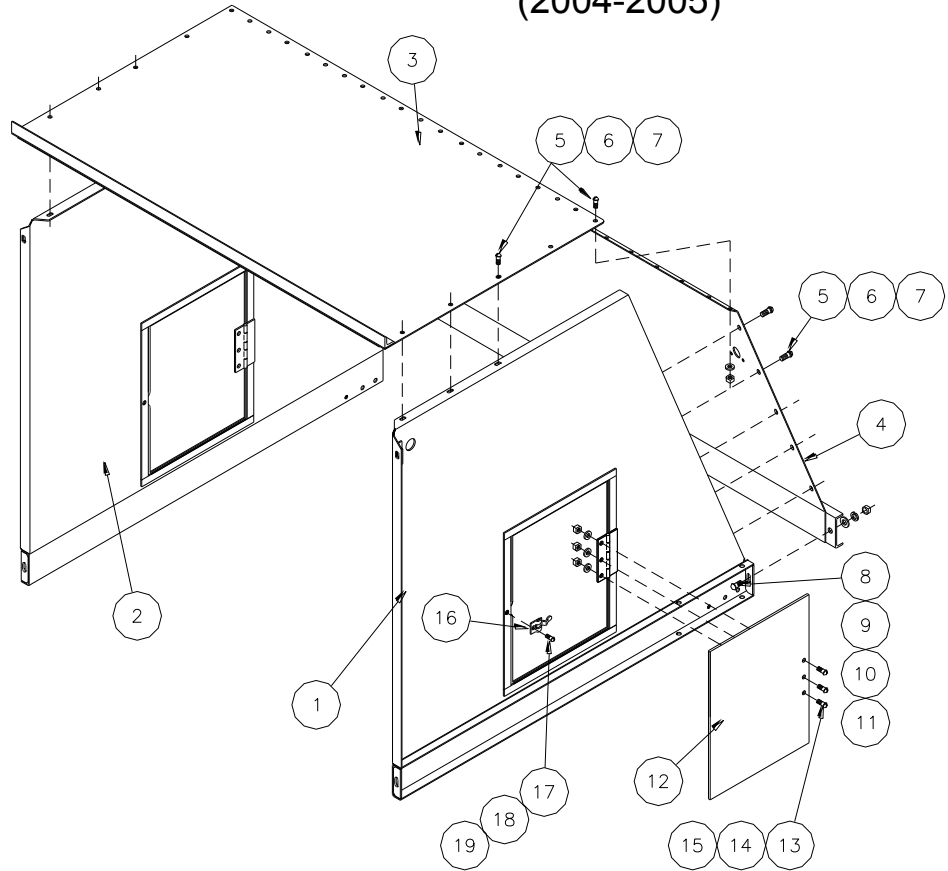
FOR LT & RT SIDES OF MACHINE



ITEM	PART NO	SERIAL NO OR YR	DESCRIPTION	LT	RT
50	33-033-115		BRACKET, FLAP MOUNT	2	2
51	33-028-820		BRACKET, 11 GA FLAP	1	1
52	33-050-396		FLAP, RUBBER	1	1
53	48-090100		CAPSCREW, 3/8 X 1	9	9
54	62-010100		FLATWASHER, 3/8 STD	9	9
55	66-010150		LOCKWASHER, 3/8 PLT	9	9
56	68-010150		HEX NUT, 3/8 PLT	9	9

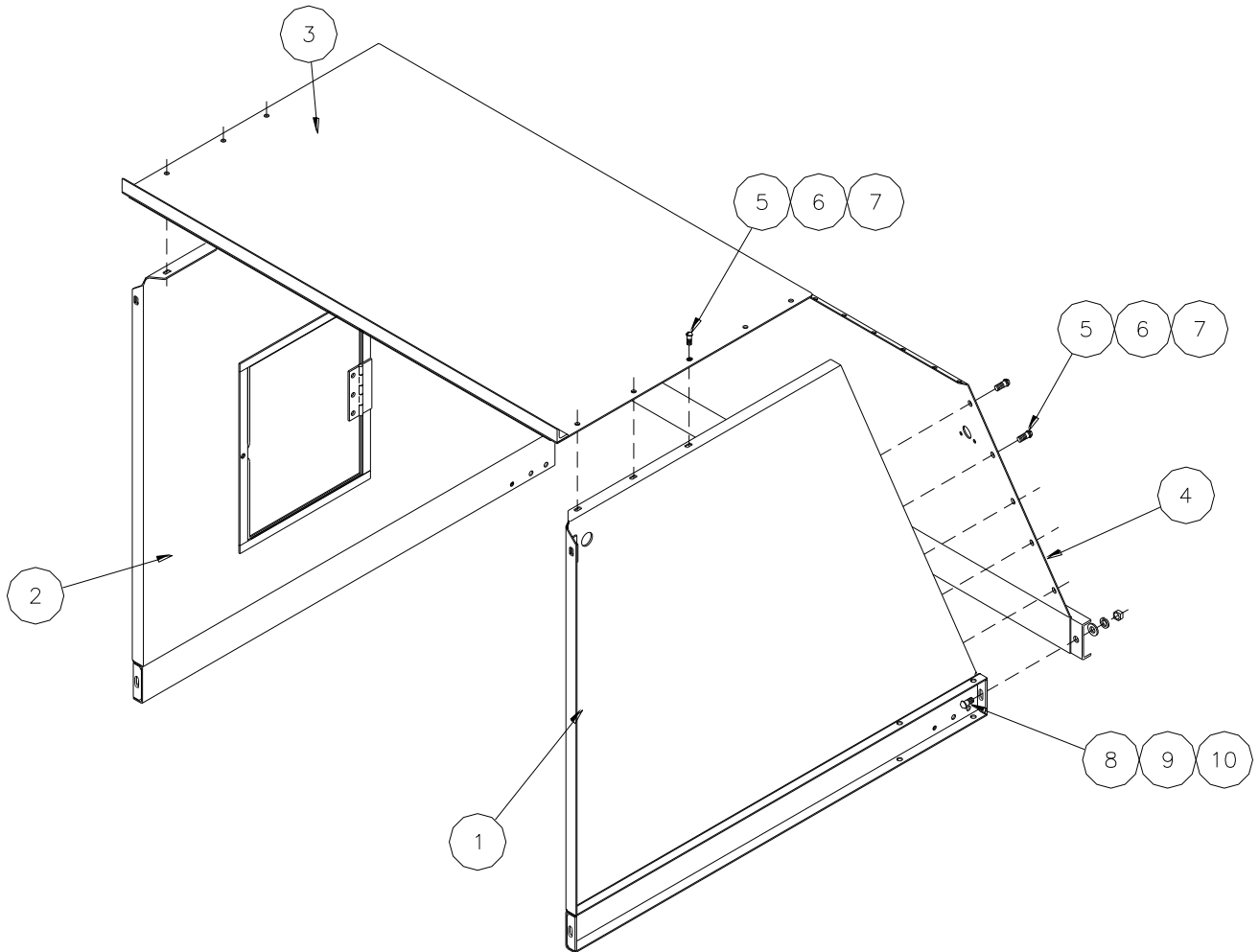


REAR HOOD (2004-2005)



ITEM	PART NO	SERIAL NO OR YR	DESCRIPTION	QTY
1	33-070-275		HOOD, LT SIDE FRAME	1
2	33-070-276		HOOD, RT SIDE FRAME	1
3	33-070-277		HOOD, TOP COVER	1
4	33-070-278		HOOD, REAR COVER	1
5	58-020101		SCREW, 1/4 X 5/8 SLOTTED RD HD	38
6	62-010010		FLATWASHER, 1/4 STD	38
7	72-010055		LOCKNUT, 1/4 PLT	38
8	52-050035		CARRIAGE SCREW, 3/8 X 1 REG	2
9	62-010100		FLATWASHER, 3/8	6
10	66-010150		LOCKWASHER, 3/8	6
11	68-010150		HEX NUT, 3/8	6
12	33-027-441		DOOR, REAR HOOD	2
13	58-020400		SCREW, 1/4 X 1/2 SLOTTED RD HD	6
14	66-010050		LOCKWASHER, 1/4 PLT	6
15	68-010050		HEX NUT, 1/4 PLT	6
16	33-050-072		LATCH, HOOD DOOR	2
17	58-010100		SCREW, #10-24 X 3/4 RD HD	2
18	66-010025		LOCKWASHER, #10	2
19	68-010025		HEX NUT, #10	2
20	52-050051		CARRIAGE SCREW, 3/8 X 2 1/2	4

REAR HOOD (2006 TO PRESENT)



ITEM	PART NO	SERIAL NO OR YR	DESCRIPTION	QTY
1	33-070-275		HOOD, LT SIDE FRAME	1
2	33-070-276		HOOD, RT SIDE FRAME	1
3	33-070-277		HOOD, TOP COVER	1
4	33-070-278		HOOD, REAR COVER	1
5	58-020101		SCREW, 1/4 X 5/8 SLOTTED RD HD	38
6	62-010010		FLATWASHER, 1/4 STD	38
7	72-010055		LOCKNUT, 1/4 PLT	38
8	52-050035		CARRIAGE SCREW, 3/8 X 1 REG	2
9	62-010100		FLATWASHER, 3/8	2
10	66-010150		LOCKWASHER, 3/8	2
11	68-010150		HEX NUT, 3/8	2

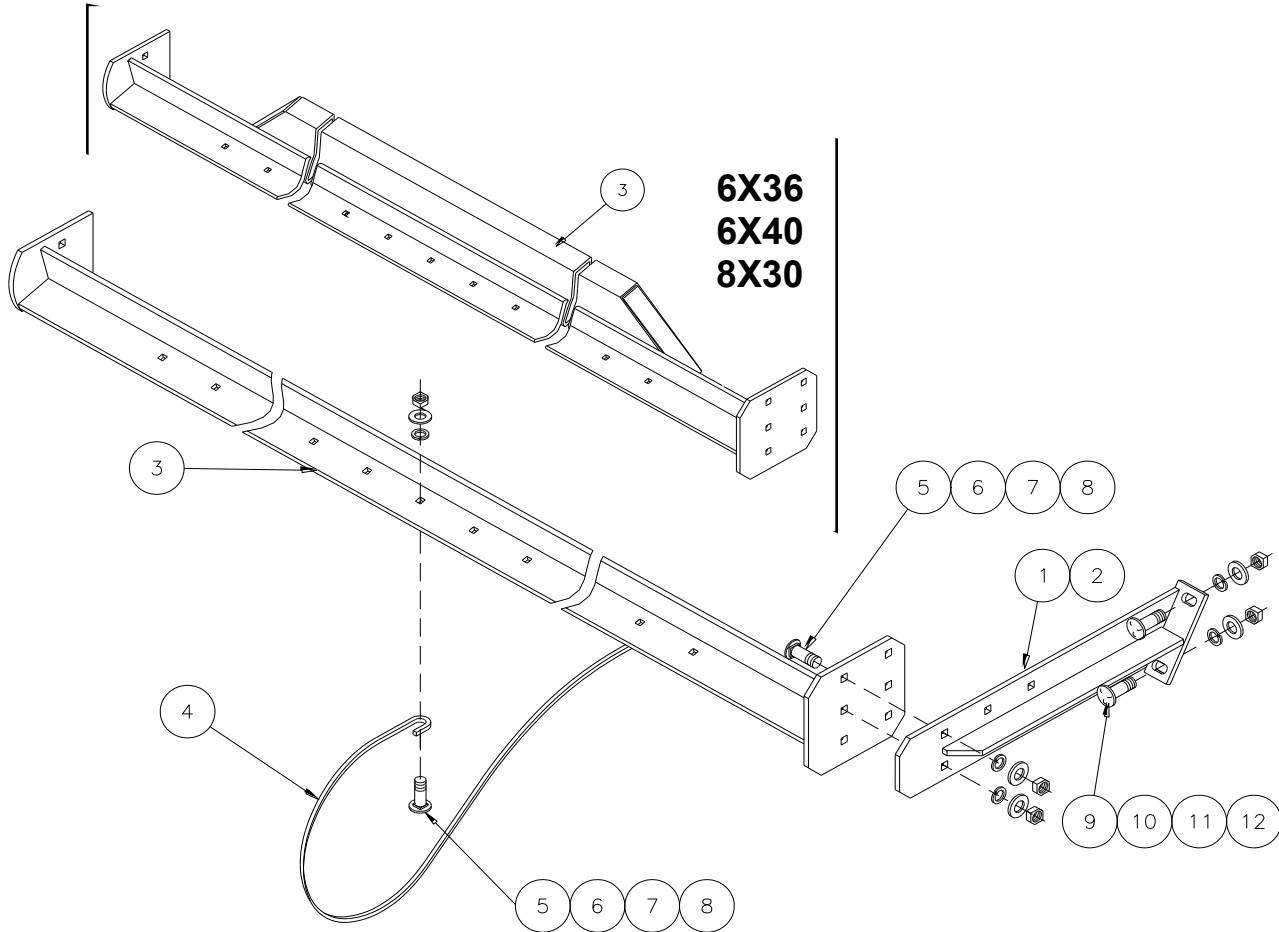
VINE HOLD DOWN KIT

(4x36)
(33-082-004)

(6x30)
(33-082-034)

(6x36)
(33-082-025)

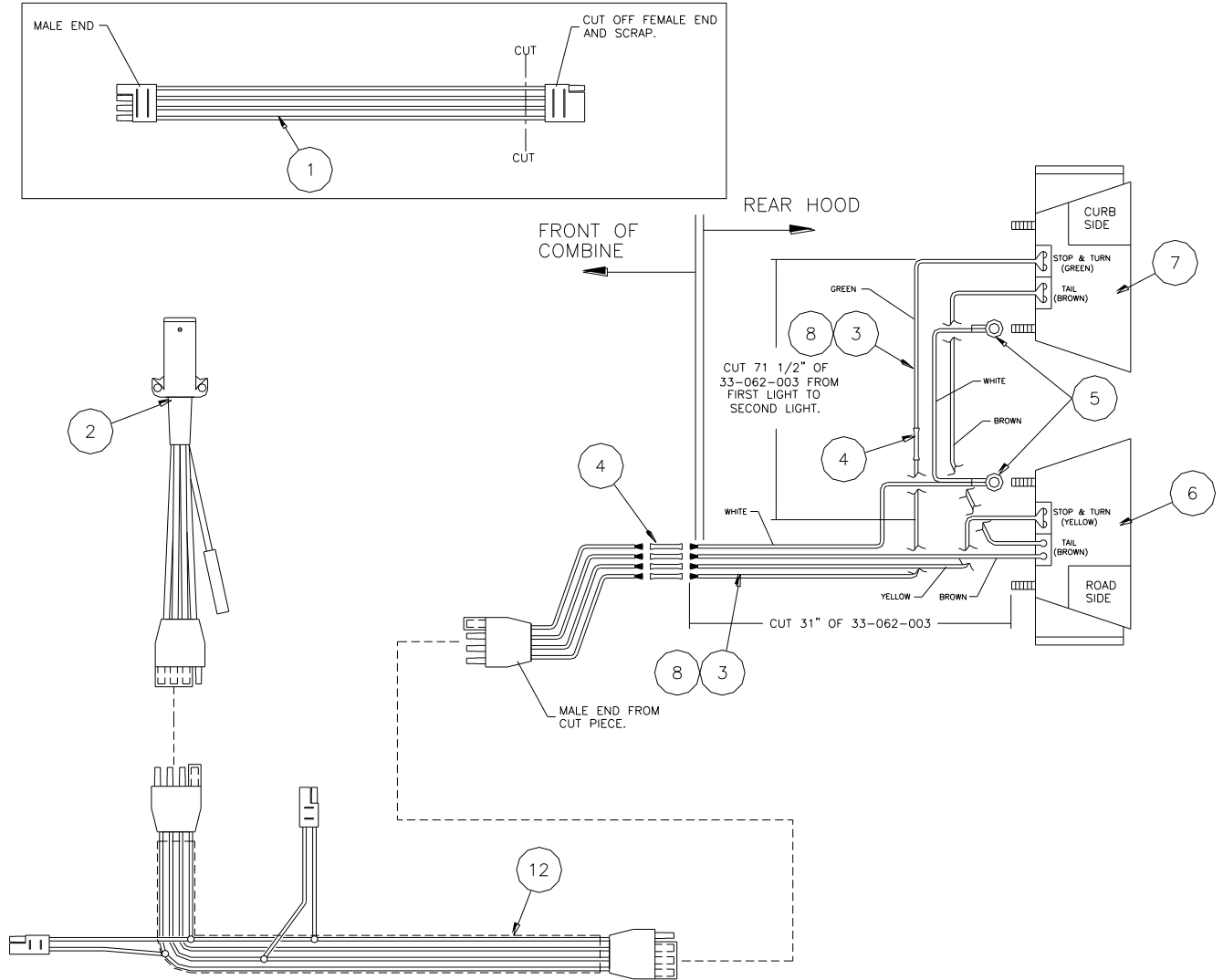
(6x40/8x30)
(33-082-026)



ITEM	PART NO	SERIAL NO OR YR	DESCRIPTION	4R	6X30	6R	6X40 8X30
1	33-080-512		SUPPORT, LT VINE HOLD DOWN	1	1	1	1
2	33-080-513		SUPPORT, RT VINE HOLD DOWN	1	1	1	1
3	33-080-514		BAR, VINE HOLD DOWN (4R)	1	-	-	-
	33-070-021		BAR, 6 X 30 VINE HOLD DOWN	-	1	-	-
	33-070-118		BAR, VINE HOLD DOWN (6R)	-	-	1	-
	33-070-149		FRONT BAR, 6 X 40 V.H.D.	-	-	-	1
4	33-050-253		ROD, VINE HOLD DOWN	18	21	27	28
5	52-050019		CARRIAGE SCREW, 5/16 X 1 1/4	22	25	31	32
6	62-010050		FLATWASHER, 5/16 STD PLT	18	21	27	28
7	66-010100		LOCKWASHER, 5/16 REG PLT	22	25	31	32
8	68-010100		HEX NUT, 5/16 PLT	22	25	31	32
9	52-050040		CARRIAGE SCREW, 3/8 X 1 1/4	4	4	4	4
10	62-010100		FLATWASHER, 3/8 STD PLT	4	4	4	4
11	66-010150		LOCKWASHER, 3/8 REG PLT	4	4	4	4
12	68-010150		HEX NUT, 3/8 PLT	4	4	4	4

4R& 6R LIGHT ASSEMBLY

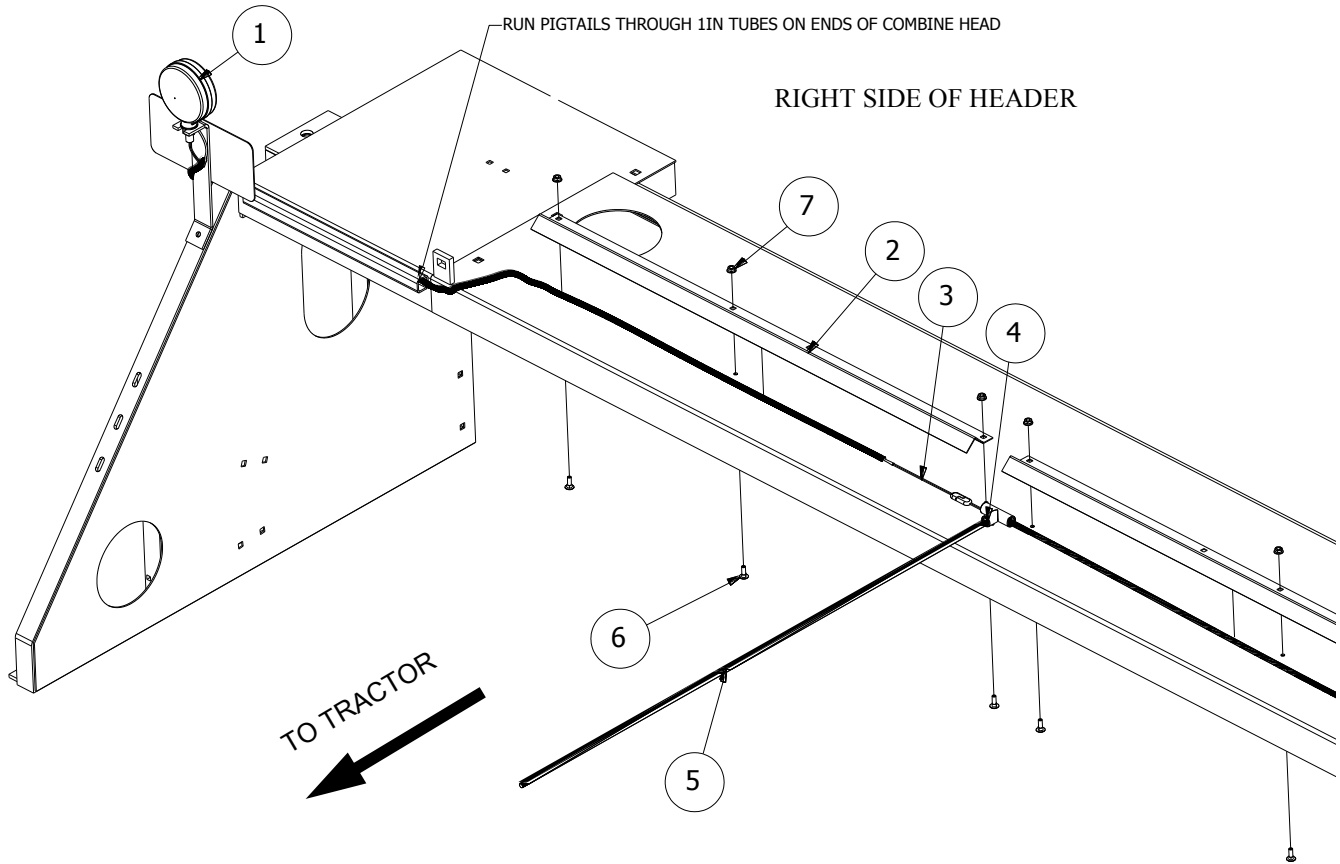
(33-081-338)



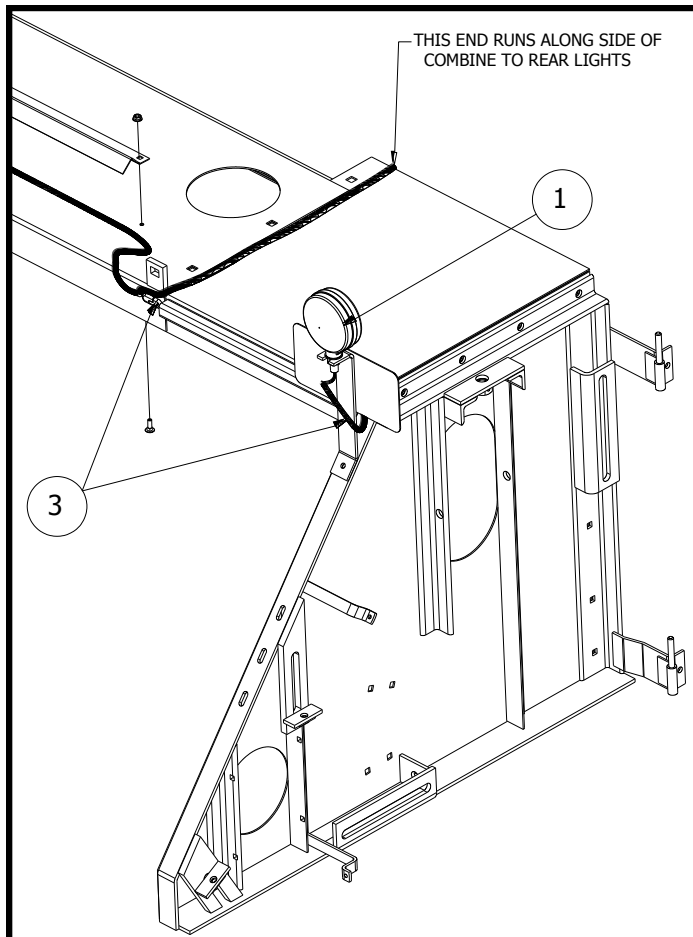
ITEM	PART NO	SERIAL NO OR YR	DESCRIPTION	QTY
1	33-062-002		CONNECTOR, MOLDED CIRCUIT	1
2	48-062-001		ADAPTER, 7-WAY PLUG	1
3	33-062-003		WIRE, 16/4 PARALLEL	13.0 FT
4	33-062-006		CONNECTOR, BUTT	9
5	33-062-004		TERMINAL, 1/4" SCREW RING	2
6	33-062-008		LIGHT, LEFT TAIL	1
7	33-062-009		LIGHT, RIGHT TAIL	1
8	33-062-035		PLASTIC LOOM, 1/2 I.D. TAIL	21.0 FT
*9	33-050-068		CLIP, ROD	12
*10	33-050-283		RIVET, 3/16 D.H. BLIND	12
*11	33-050-138		CABLE TIE, 12"	2
12	33-062-085		HARNESS, FRONT COMBINE	1

* NOT SHOWN

FRONT LIGHT ASSEMBLY

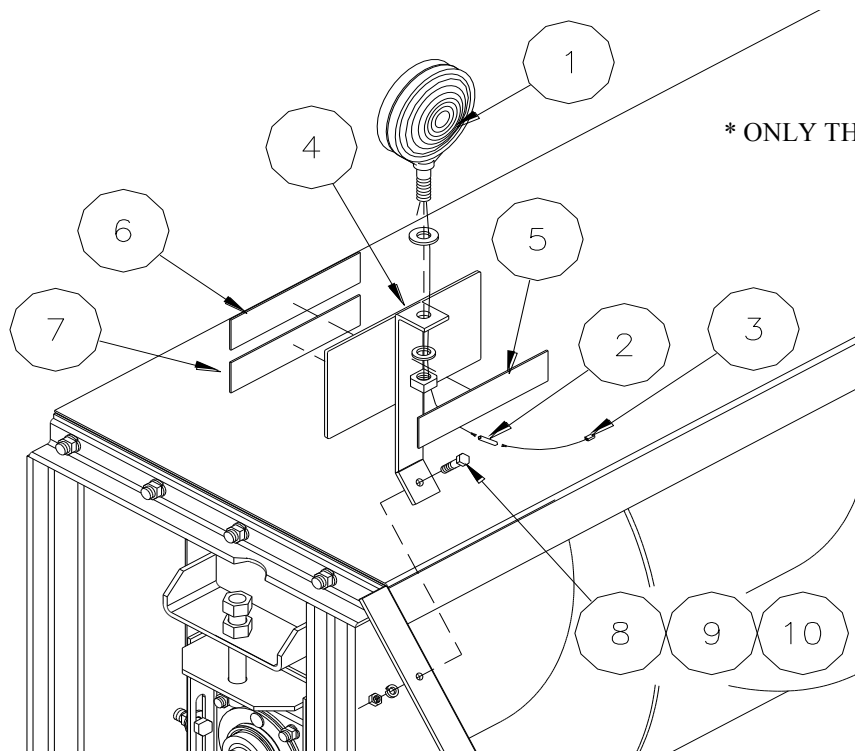


LEFT SIDE OF HEADER



ITEM	PART NO	SERIAL NO OR YR	DESCRIPTION	QTY
1	33-081-267		LIGHT ASSEMBLY	2
2	33-028-994		COVER, CENTER WIRING	2
3	33-081-272		10 FT PIG TAIL	2
4	33-062-024		CLIP, 1/2" LOOM ROSE	1
5	33-062-082		HARNES, FRONT COMBINE	1
6	52-049000		CARRIAGE BOLT, 1/4 X 3/4 G5 PLT	6
7	78-020040		WHIZ NUT, 1/4	6

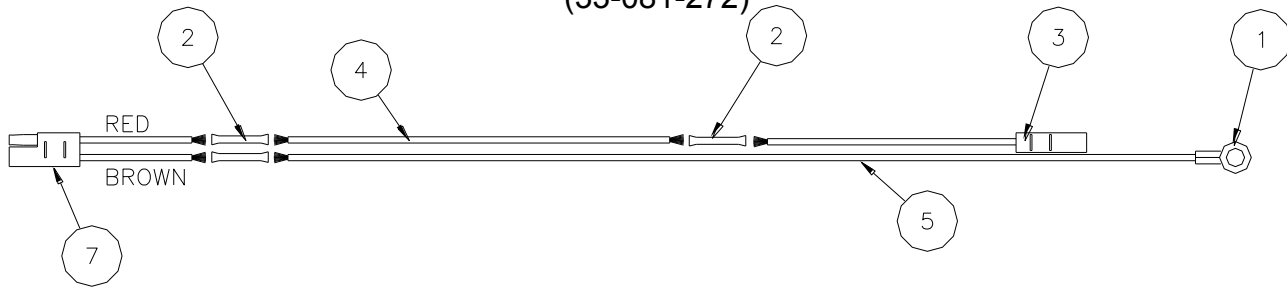
LIGHT ASSEMBLY
(33-081-267)



* ONLY THESE ITEM MAKE UP THIS ASSEMBLY

ITEM	PART NO	SERIAL NO OR YR	DESCRIPTION	QTY
*1	33-062-069		LIGHT, DOUBLE AMBER	1
*2	33-062-006		BUTT, CONNECTOR	1
*3	33-062-071		PLUG, SINGLE	1/2
4	33-070-014		MOUNT, REFLECTOR	2
5	33-050-265		STRIP, YELLOW REFLECTOR	2
6	33-050-266		STRIP, RED REFLECTOR	2
7	33-050-267		STRIP, ORANGE REFLECTOR	2
8	48-090036		CAPSCREW, 5/16 X 1	2
9	66-010100		LOCKWASHER, 5/16	2
10	68-010100		HEX NUT, 5/16	2

10 FT PIG TAIL
(33-081-272)



ITEM	PART NO	SERIAL NO OR YR	DESCRIPTION	QTY
1	33-062-070		RING TERMINAL, 1/2	1
2	33-062-006		BUTT CONNECTOR	3
3	33-062-071		PLUG, SINGLE	1/2
4	33-062-053		WIRE, 16 AWG RED	8FT
5	33-062-054		WIRE, AWG WHITE	9 1/2 FT
6	33-062-001		LOOM, 3/8 SPLIT PLASTIC	10 1/2 FT
7	33-062-072		PLUG, DOUBLE	1/2

The following is a list of serial numbers issued to our machines at the beginning of each year. To determine when a unit was made, find the range within which the particular serial number falls. It would have been produced between January 1 to December 31 of that year.

YEAR	SERIAL NUMBERS
1985	27986-29695
1986	29696-31095
1987	31096-33234
1988	33235-35548
1989	35549-38496
1990	38497-41771
1991	41772-44466
1992	44467-47001
1993	47002-48750
1994	48751-51549
1995	51551-54262
1996	54263-56661
1997	56662-59465
1998	59466-62097
1999	62098-63986
2000	63987-65692
2001	65693-67340
2002	67341-68699
2003	68700-70482
2004	70483-72646
2005	72647-74866
2006	74867-76368
2007	76369-77883
2008	77884-79891
2009	79892-80944
2010	80945-81775
2011	81776-83453
2012	83454-



DEPENDABLE EQUIPMENT FOR PROGRESSIVE FARMING

Visit us at www.kelleymfg.com



MADE IN AMERICA